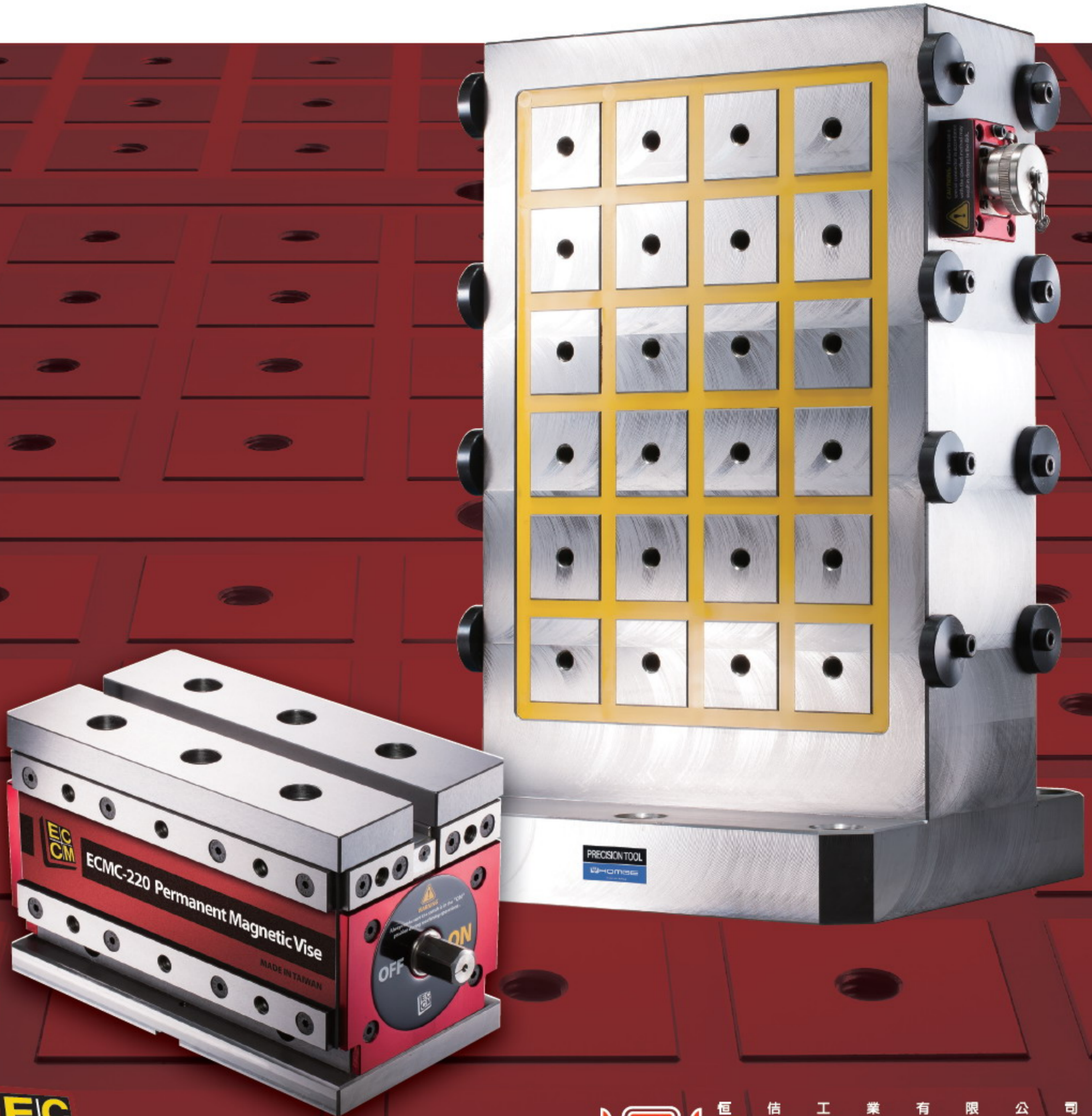


ELECTRO-PERMANENT MAGNETIC CHUCK

Suitable for application on CNC Machining Centers



永磁式磁力虎鉗

Permanent Magnetic Vise

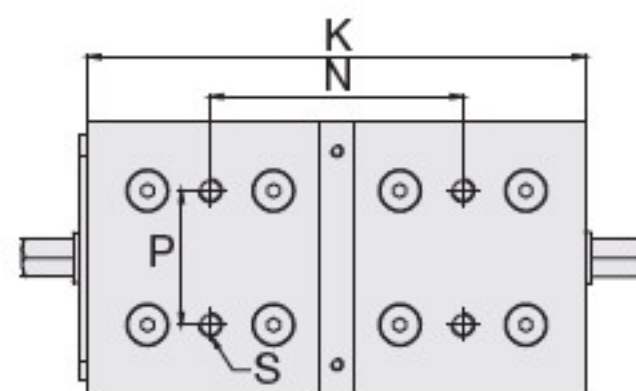
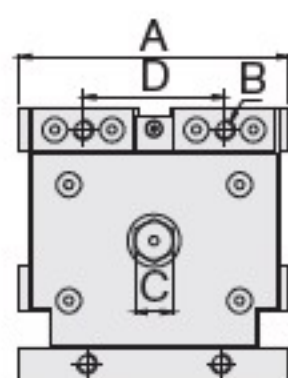
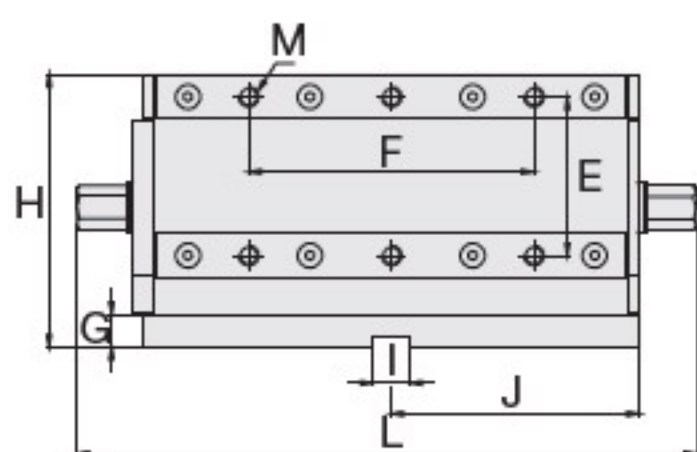
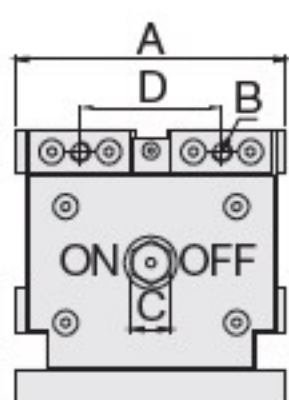
ECMC-380, 220, 130, 75

- Suitable for the magnetic material processing
- Quick clamping the workpiece and provide five-sided processing
- Work with various magnetic soft jaws, flexible adjustment and configuration according to processing needs
- 適用於導磁材料加工
- 快速夾持工件，可做五面切削加工
- 替換性導磁軟爪可做多功能之工件夾持加工



STANDARD ACCESSORIES (標準配件):

- 2 pcs of Stopping Block / 擋板
- 4 pcs of Clamp / 壓板
- 1 pc of Handle / 開關把手
- 2 pcs of Alignment Wedge / 定位鍵



SPECIFICATIONS

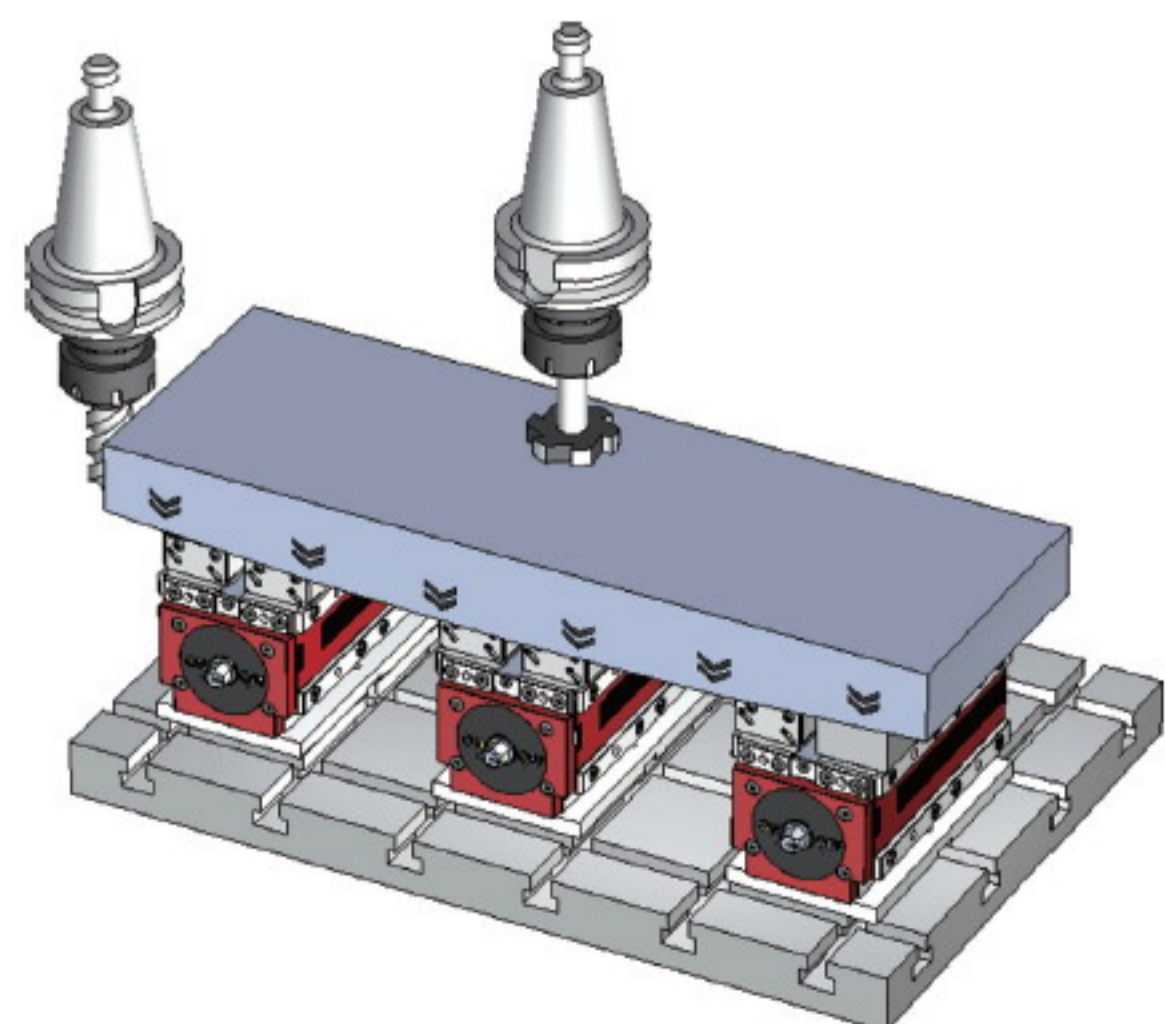
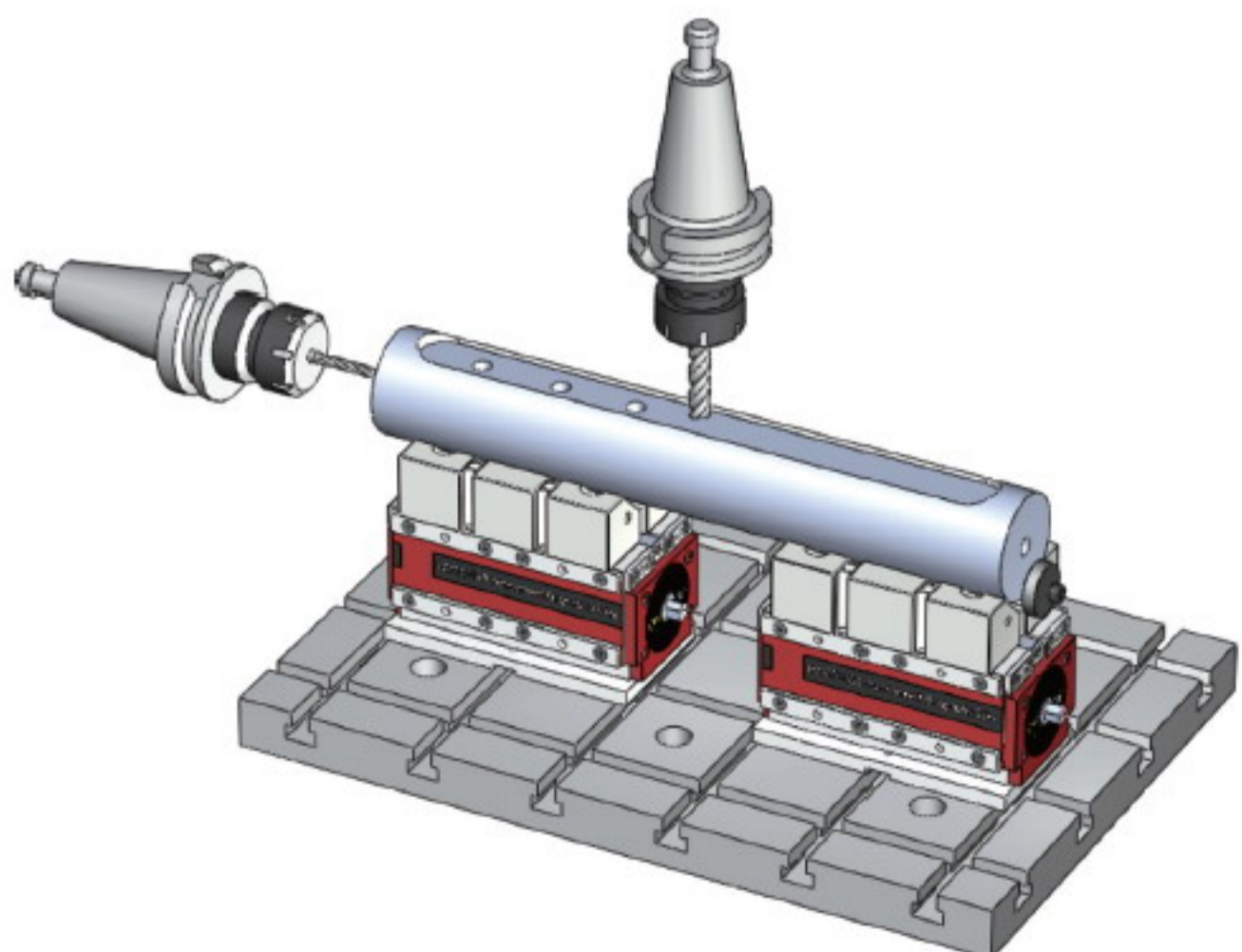
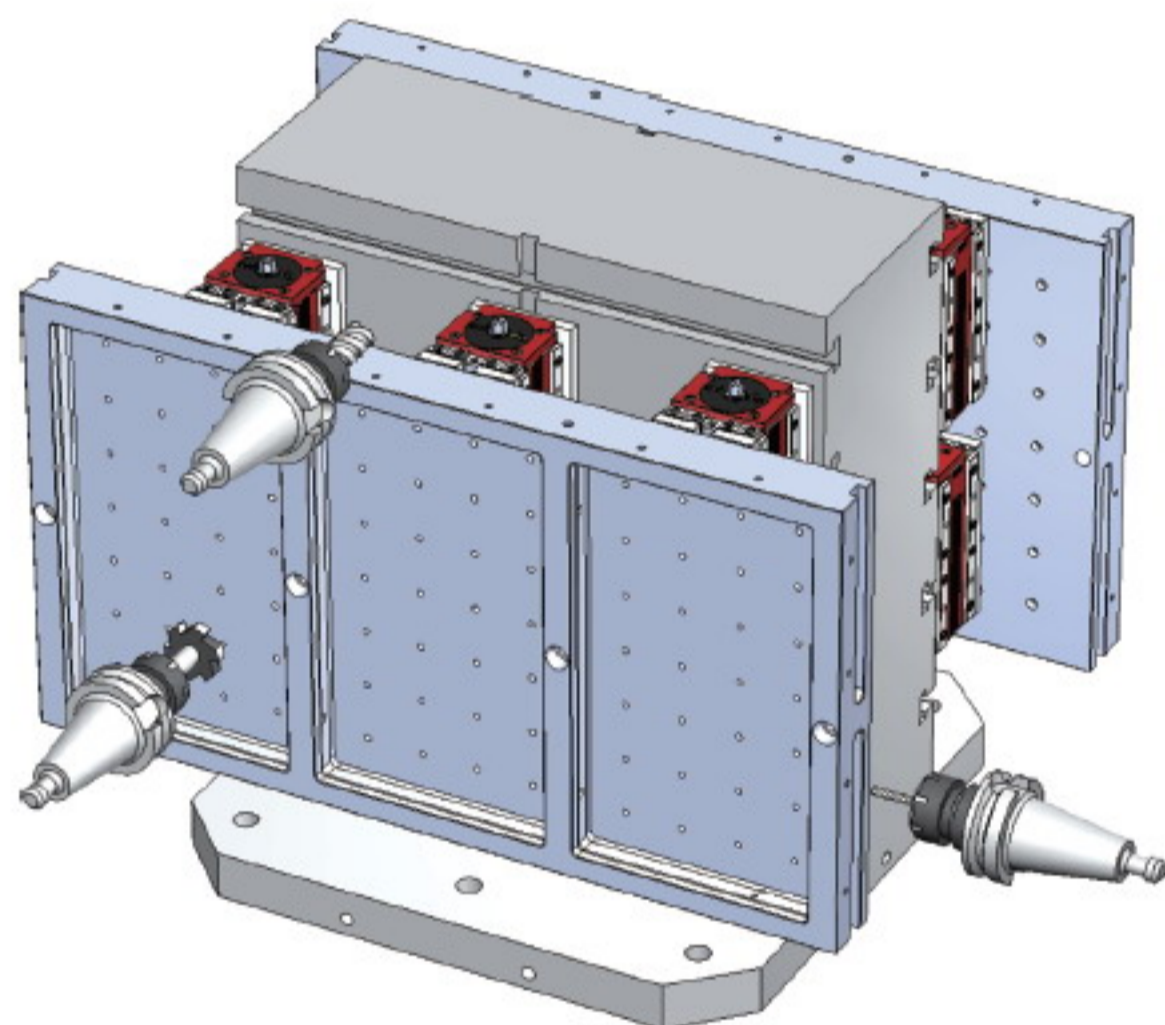
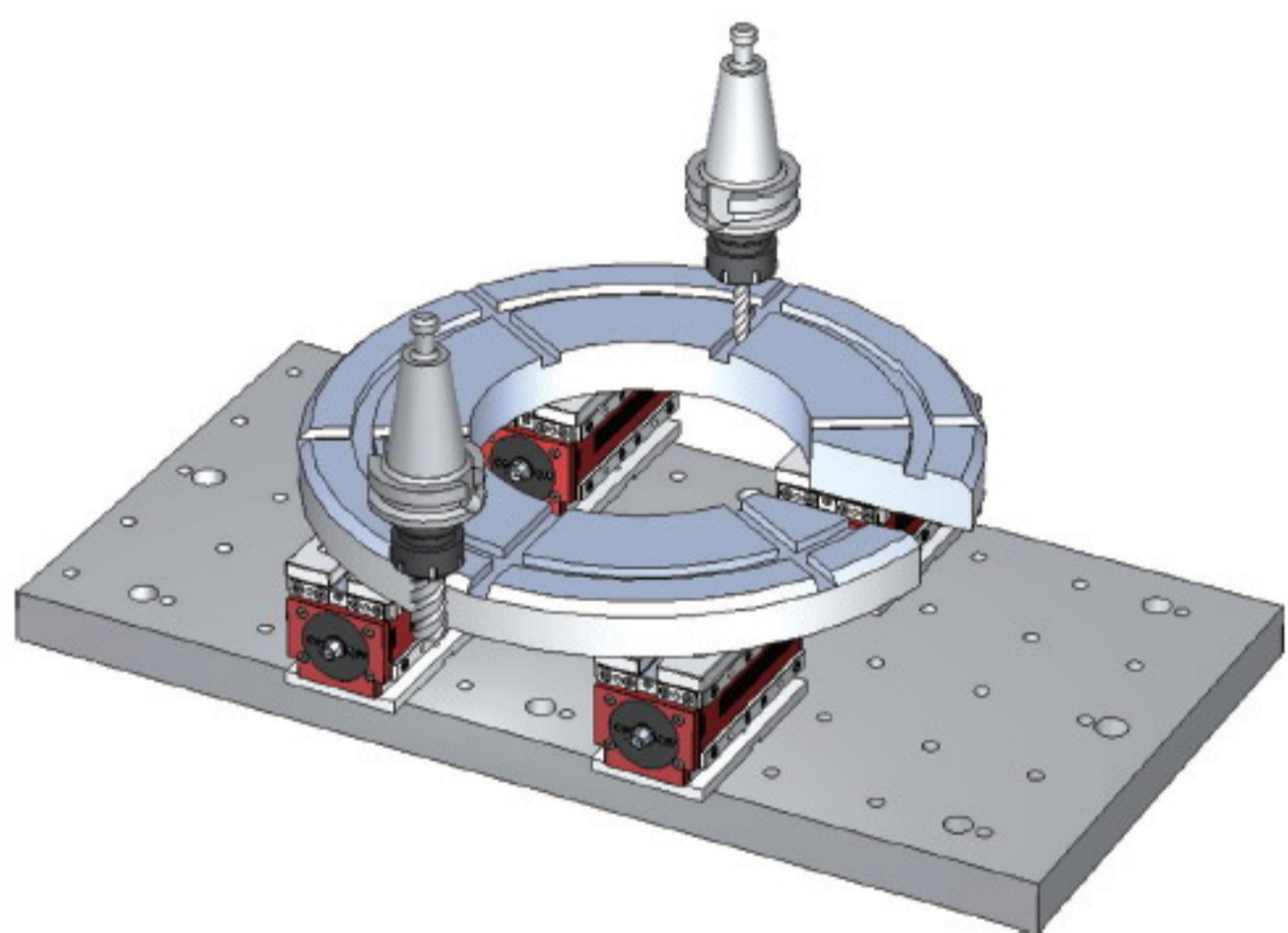
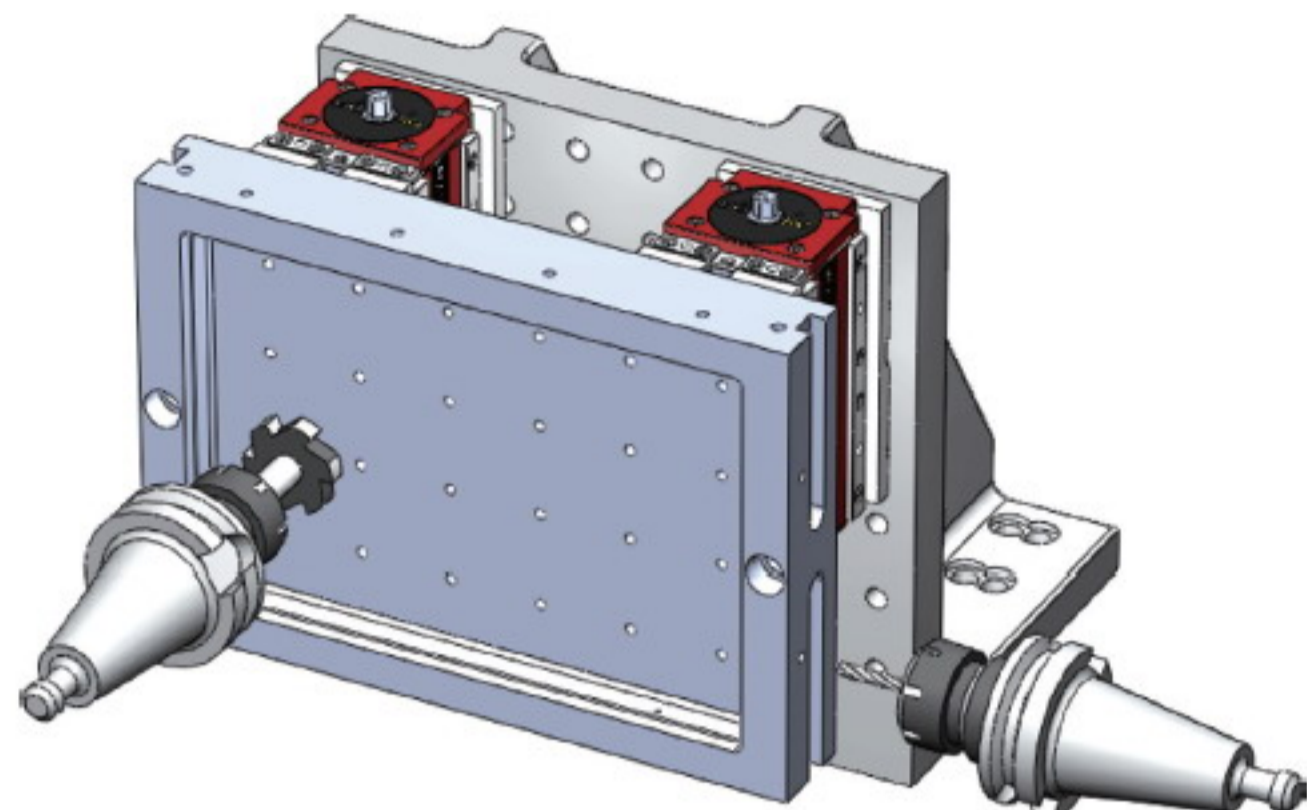
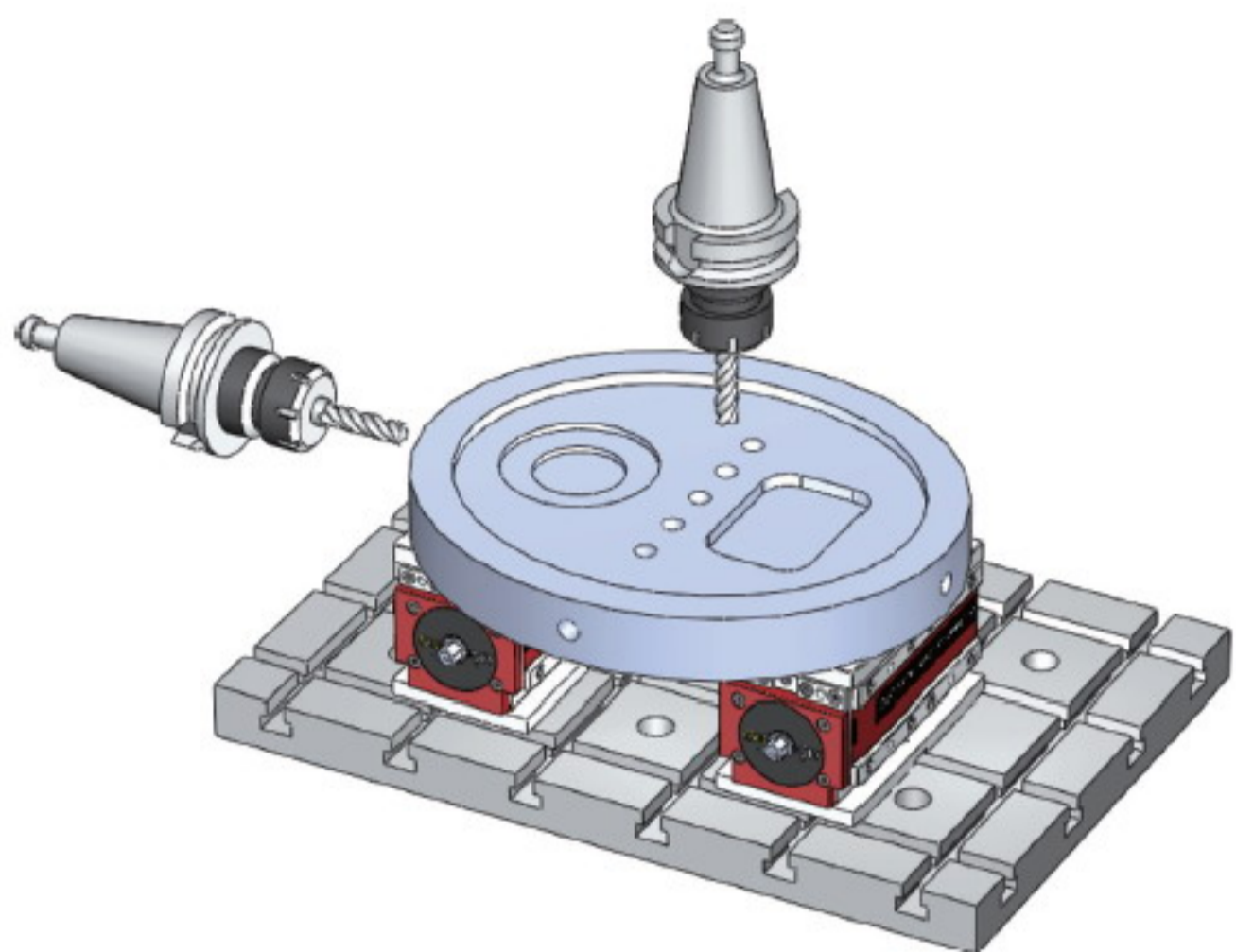
Unit: mm

Model	A	B	C	D	E	F	G	H	I	J	K	L
ECMC-380	188	M10	23	92	122	160	18.5	187.5	18	139	278	344
ECMC-220	133	M10	19	69.5	78	140	15	134	18	122	244	305
ECMC-130	108	M8	13	56.5	62	95	12	108	18	99	198	230
ECMC-75	76	M6	13	40	43.5	84	10	78	18	89.5	179	213

Model	M	N	P	S	Holding magnetic force 夾持吸力	Minimum workpiece thickness requirement 最小工件厚度要求	Weight (kg) 重量
ECMC-380	M10	140	90	M12	3300kgf±5%	40	70
ECMC-220	M10	124	66	M12	2100kgf±5%	30	39
ECMC-130	M8	100	48	M10	1200kgf±5%	20	20
ECMC-75	M6	92	38	M8	760kgf±5%	15	10

永磁式磁力虎鉗應用範例

Applications:



永磁電控磁盤

Electro-Permanent Magnetic Chuck

Features:

1. Electro-Permanent Magnetic Chuck structure design, use the natures of different permanent magnetic materials, through electronic control system control and convert the distribution of internal magnetic circuit, magnetize the magnetic disk (i.e. in tight clamping state), and demagnetize (i.e. in loose state).
2. Magnetization and demagnetization time is only 3 ~ 12 seconds. After completion, it does not need to continuously supply power to produce safe and strong magnetic force. It does not have the problem with temperature rise. It can last for a long time. The maintenance is easy. No repair is needed. It is both economic and environment friendly.
3. Shorten workpiece installation time, fast mold change, save work time, increase productivity.
4. Strong and stable magnetic force, assure tight fastening of workpiece, high processing precision.

Use and Applicable Areas:

1. General cutting and processing for all kinds of iron parts, rapid mold change, suitable for CNC vertical computer milling machine and horizontal computer milling machine, general milling machine precision machining; the Electro-Permanent Magnetic Chuck is highly mobile, suitable for any machine.
2. Workpiece thickness requirement
ECMC-A Series: above 15mm
ECMC-B Series: above 25mm
ECMC-C Series: above 40mm
ECMC-D Series: above 50mm
3. As workpiece is clamped, strongest magnetic force is achieved when the contact is from more than 4 magnetic poles.
4. Magnetic pole dimensions 50 x 50mm, suitable for general cutting and processing for small and medium workpiece.
5. Magnetic pole dimensions 70 x 70mm, suitable for general cutting and processing for medium and large workpiece.
6. Work with various magnetic soft jaws and moveable spring pads, flexible adjustment and configuration according to processing needs.

特點:

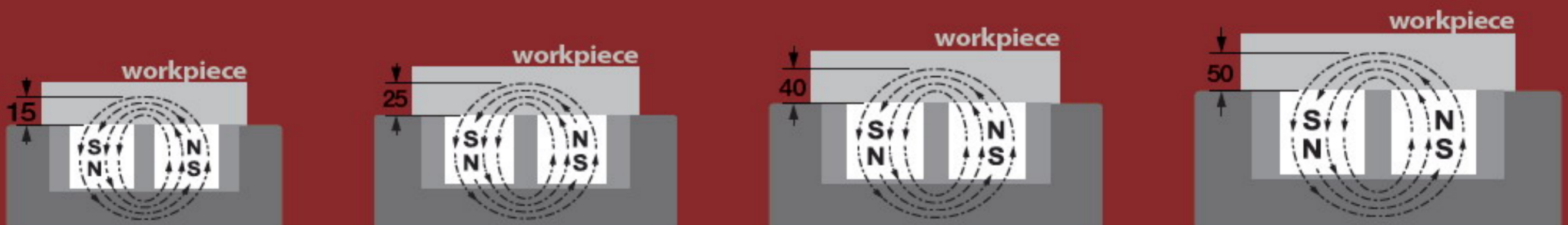
1. 永磁電控磁盤結構設計，利用不同永磁材料的不同特性，通過電控系統對內部磁路的分布進行控制與轉換，使磁盤產生充磁（即夾緊狀態），與退磁（即放鬆狀態）。
2. 充、退磁時間僅需 3~12 秒即可完成，完成後不需持續供電，即能產生安全、強勁的吸力，無溫升的問題，可長時間使用、方便保養無須維修，既經濟又環保。
3. 縮短工件裝置時間，快速換模，節省工時可提升產能。
4. 磁力強大且穩定，確保工件裝夾牢固，加工精準度高。

用途及適用領域:

1. 各種鐵質零件綜合切銷加工，快速換模，適用於 CNC 立式電腦銑床及臥式電腦銑床，一般銑床精密加工；本磁盤機動性高，適用於任何機台上。
2. 工件厚度要求
ECMC-A 系列：15mm 以上。
ECMC-B 系列：25mm 以上。
ECMC-C 系列：40mm 以上。
ECMC-D 系列：50mm 以上。
3. 工件夾持時，吸力最強需有 4 個以上之磁極接觸面。
4. 磁極尺寸 50x50mm，適用於小、中型工件之綜合切削加工。
5. 磁極尺寸 70x70mm，適用於中、大型工件之綜合切削加工。
6. 可搭配各式導磁軟爪，活動彈簧墊塊使用，依不同加工需求及用途靈活調整、配置。

磁極磁幅與工件厚度對應

Magnetic Amplitude & Workpiece Thickness



ECMC-A Series

Magnetic Pole: 35x35mm
Magnetic amplitude 15mm
Suitable for small workpiece
磁極35x35mm, 磁幅高度15mm
適用小型工件

ECMC-B Series

Magnetic Pole: 50x50mm
Magnetic amplitude 25mm
Suitable for medium workpiece
磁極50x50mm, 磁幅高度25mm
適用中型工件

ECMC-C Series

Magnetic Pole: 70x70mm
Magnetic amplitude 40mm
Suitable for medium to large workpiece
磁極70x70mm, 磁幅高度40mm
適用中大型工件

ECMC-D Series

Magnetic Pole: 91x91mm
Magnetic amplitude 50mm
Suitable for large workpiece
磁極91x91mm, 磁幅高度50mm
適用大型工件

電控磁盤控制器

ECMC-Controller (for Electro-Permanent Magnetic Chuck)



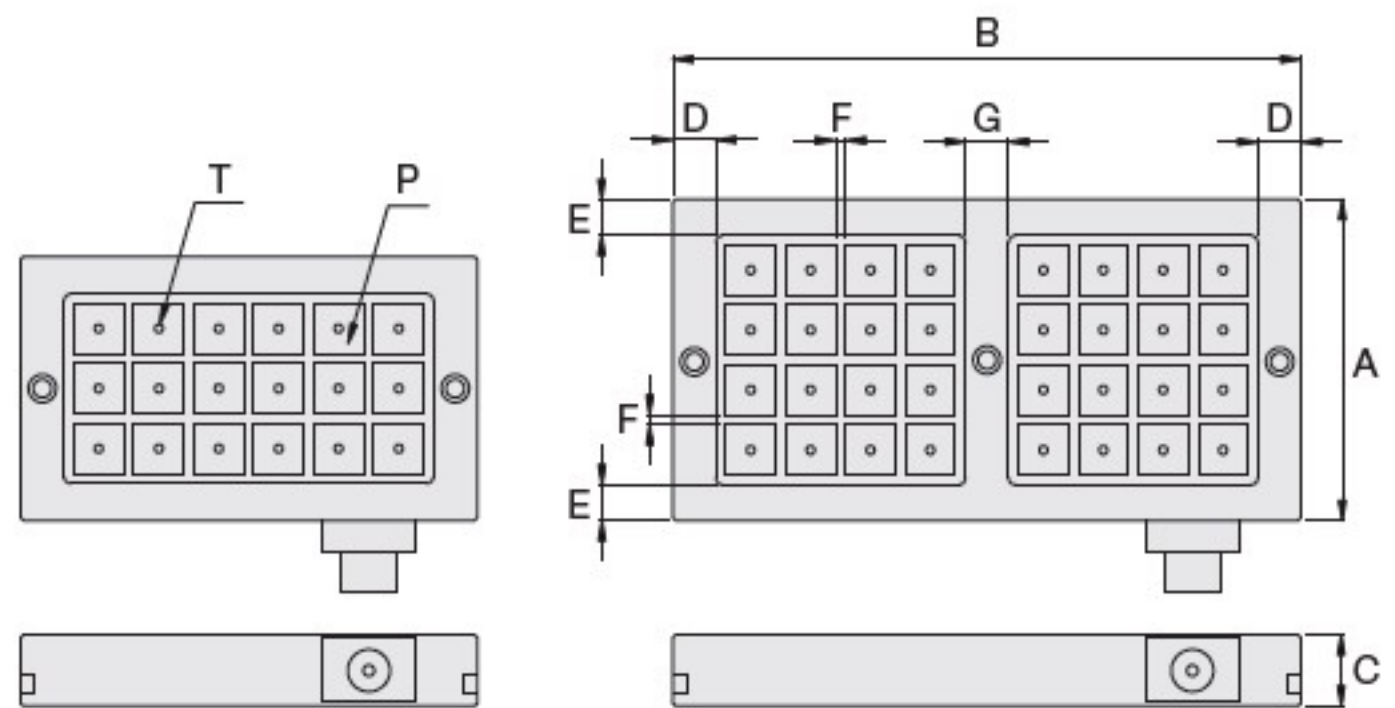
SPECIFICATIONS

Unit: mm

Model	VOLTAGE (Single Phase) / 電壓(單相)	Dimensions / 尺寸			Weight (kg) / 重量
		W	L	H	
1N1C	AC 220V/AC380V ~ 440V	192	280	130	4.1
1N2C					4.1
1N3C					4.1
1N4C					4.1

ECMC-A Series

Pole Size: 35x35mm



Model length 320mm
型號長度 320mm

Model length above 440mm
型號長度 440mm 以上

SPECIFICATIONS POLE SIZE:35x35mm, MAGNETIC FORCE: 580 ± 5% kgf/49cm² (4 POLES)

Unit: mm

Model - A	A	B	C	D	E	F	G	POLE P 磁極	NO. OF POLE 磁極數	T	Net weight (KG) 淨重	Voltage (Single phase) 電壓(單相)	Controller (Included) 控制器
ECMC-1530	185	320	52	30.5	26	7	-	35X35	18	M6	23	AC 220V ~ 440V	1N1C
ECMC-2340	225	440		30	25		30		32		39		1N1C
ECMC-2560	225	610		31	25		30		48		54		1N2C
ECMC-3131	310	320		30.5	25.5		-		36		39		1N1C
ECMC-3140	310	440		30	25.5		30		48		53		1N2C
ECMC-3160	310	610		31	25.5		30		72		74		1N2C
ECMC-4344	435	440		30	25		30		72		75		1N2C
ECMC-4350	435	525		30.5	25		30		90		90		1N4C
ECMC-4359	435	610		31	25		30		108		104		1N4C

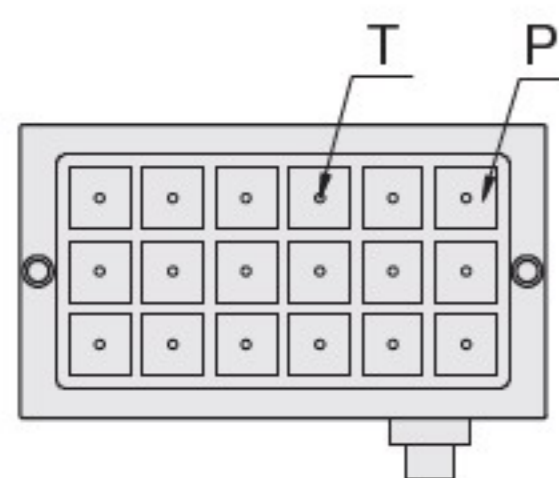
可接受特殊規格訂做，歡迎洽詢！

We Accept Order for customized specifications.

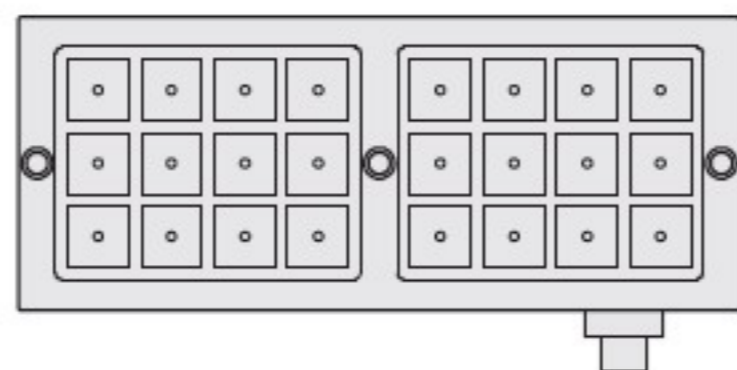


ECMC-B Series

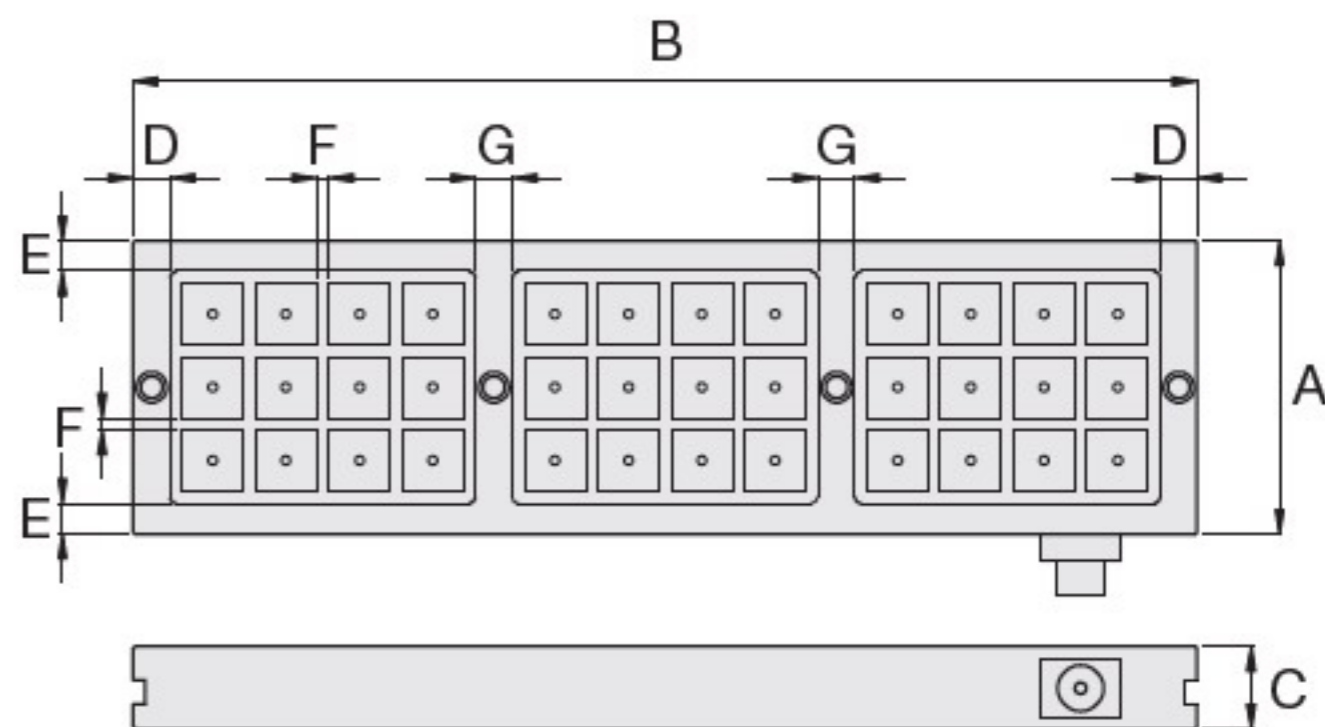
Pole Size: 50x50mm



Model length 300 ~ 400mm
型號長度 300~400mm



Model length 600mm
型號長度 600mm



Model length above 800mm
型號長度 800mm 以上

SPECIFICATIONS POLE SIZE: 50x50mm, MAGNETIC FORCE: 1250±5% kgf/100cm² (4 POLES)

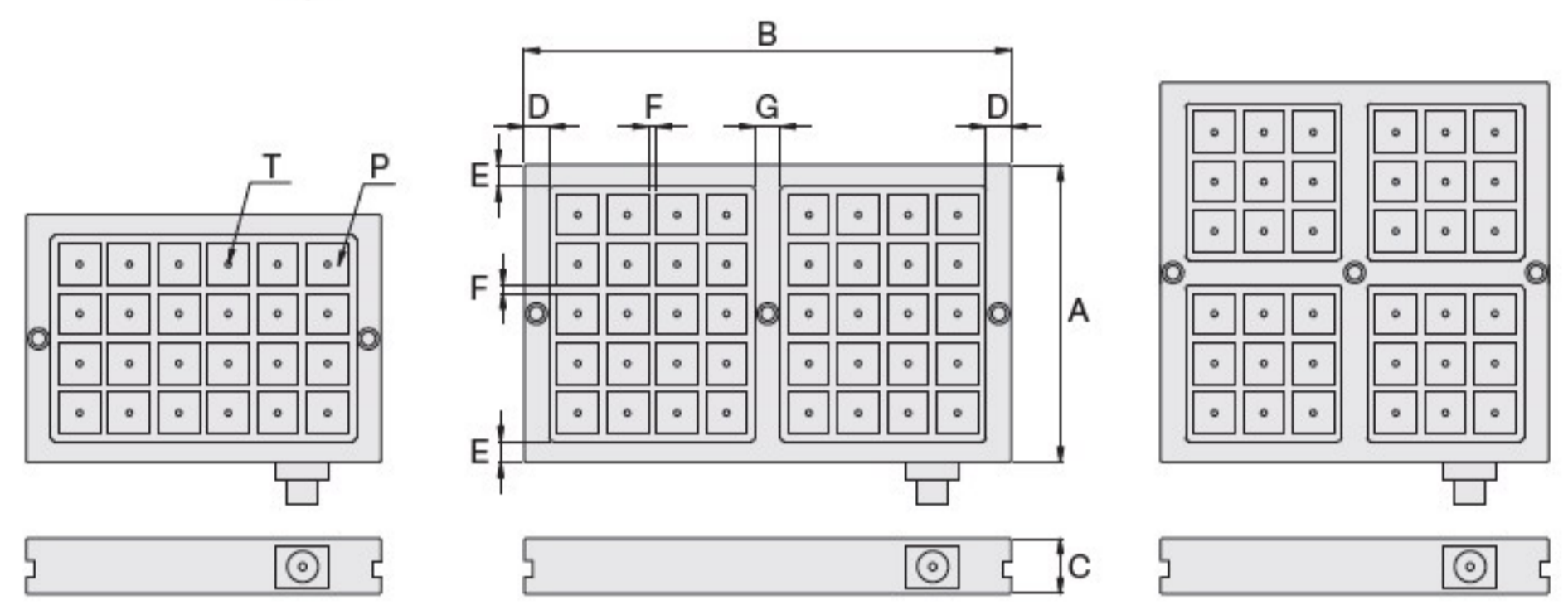
Unit: mm

MODEL - B	A	B	C	D	E	F	G	POLE P 磁極	NO. OF POLE 磁極數	T	N.W. (KG) 淨重	Voltage (Single phase) 電壓(單相)	Controller (Included) 控制器	Voltage (Single phase) 電壓(單相)	Controller (Included) 控制器
ECMC-1919	180	180	62	25			-		4		16		1N1C		1N1C
ECMC-2525	240	250	62				-		9		29		1N1C		1N1C
ECMC-2531	240	310	62				-		12		36		1N1C		1N1C
ECMC-2543	240	430	62				-		18		52		1N1C		1N1C
ECMC-2550	240	490	62				-		21		57		1N1C		1N1C
ECMC-2559	240	590	62				30		24		71		1N1C		1N1C
ECMC-2582	240	810	62				30		33		95		1N1C		1N1C
ECMC-2587	240	870	62				30		36		101		1N1C		1N1C
ECMC-2599	240	990	62				30		42		115		1N2C		1N2C
ECMC-3031	300	310	62				-		16		46		1N1C		1N1C
ECMC-3043	300	430	62				-		24		63		1N1C		1N1C
ECMC-3059	300	590	62				30		32		85		1N1C		1N1C
ECMC-3082	300	810	62				30		44		120		1N2C		1N2C
ECMC-3087	300	870	62				30		48		127		1N2C		1N2C
ECMC-3099	300	990	62				30		56		143		1N2C		1N2C
ECMC-4343	420	430	62	30	25	10	-	50X50	36	M8	87	AC 220V	1N1C	AC 380V ~ 440V	1N1C
ECMC-4349	420	490	62				-		42		102		1N2C		1N2C
ECMC-4359	420	590	62				30		48		120		1N2C		1N2C
ECMC-4382	420	810	62				30		66		164		1N2C		1N2C
ECMC-4387	420	870	62				30		72		175		1N2C		1N2C
ECMC-4399	420	990	62				30		84		200		1N3C		1N3C
ECMC-4959	480	590	62				30		56		131		1N2C		1N2C
ECMC-4982	480	810	66				30		77		206		1N3C		1N3C
ECMC-4987	480	870	66				30		84		219		1N3C		1N3C
ECMC-4999	480	990	66				30		98		245		1N3C		1N3C
ECMC-5959	600	590	66				30		72		184		1N2C		1N2C
ECMC-6082	600	810	66				30		99		242		1N3C		1N3C
ECMC-6087	600	870	66				30		108		269		1N3C		1N3C
ECMC-5999	600	990	66				30		126		307		1N4C		1N4C
ECMC-7582	750	810	66		40		30		121		305		1N4C		1N4C



ECMC-C Series

Pole Size: 70x70mm



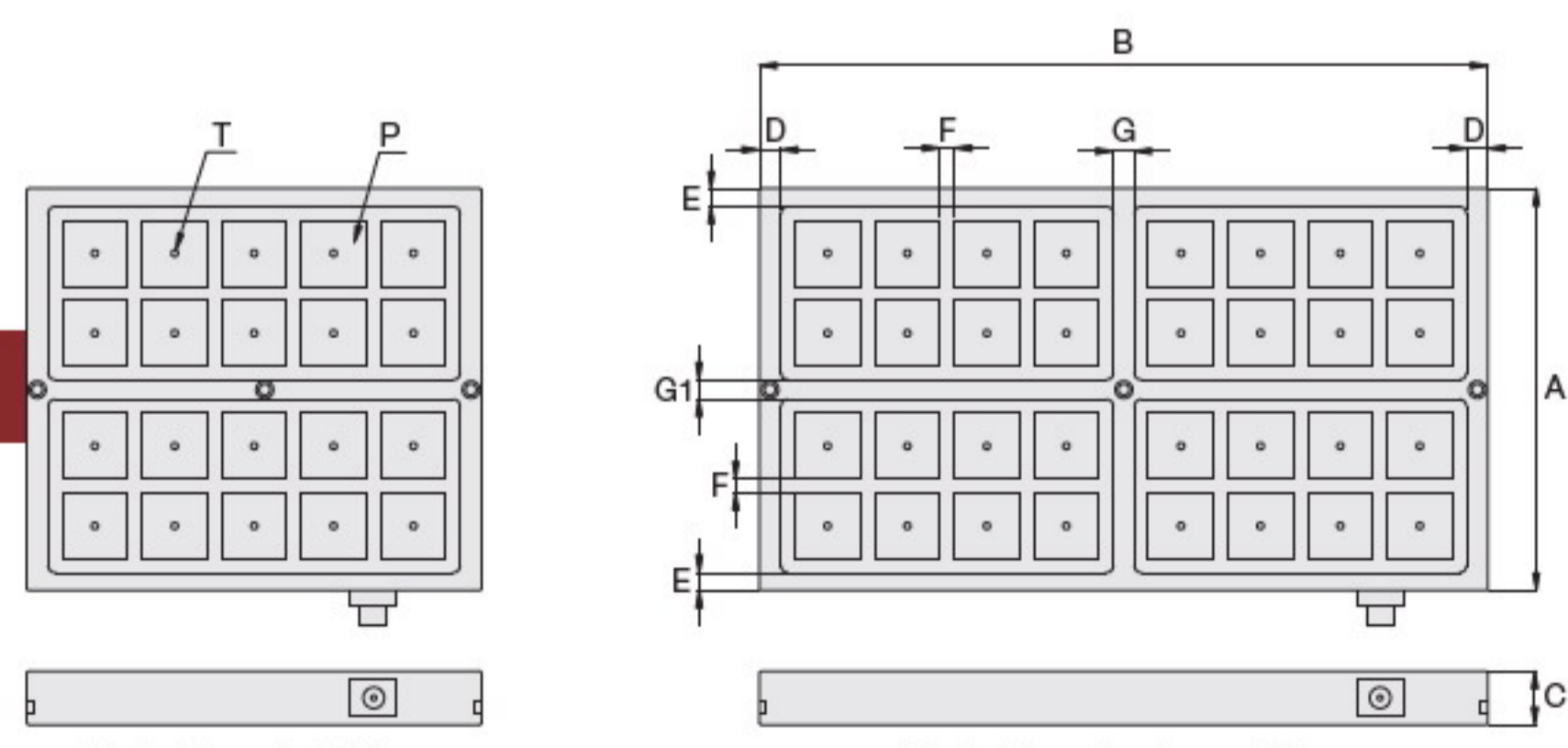
SPECIFICATIONS POLE SIZE:70x70mm, MAGNETIC FORCE: 2800 ± 5% kgf/196cm² (4 POLES)

Unit: mm

MODEL - C	A	B	C	D	E	F	G	POLE P 磁極	NO. OF POLE 磁極數	T	N.W. (KG) 淨重	Voltage (Single phase) 電壓(單相)	Controller (Included) 控制器	Voltage (Single phase) 電壓(單相)	Controller (Included) 控制器
ECMC-34677	340	670	70	30	25	20	30	70X70	18	M10	126	AC 220V	1N2C	AC 380V ~ 440V	1N1C
ECMC-4353C	430	530	70				-		20		126		1N2C		1N1C
ECMC-43677	430	670	70				30		24		159		1N2C		1N1C
ECMC-43857	430	850	70				30		32		202		1N4C		1N2C
ECMC-52678	520	670	80				30		40		279		1N2C		1N2C
ECMC-52858	520	850	80				30		36		280		1N4C		1N2C
ECMC-66678	660	670	80				30		48		354		1N4C		1N2C
ECMC-66858	660	850	80				30		64		451		1N8C		1N4C

ECMC-D Series

Pole Size: 91x91mm



Model length 640mm
型號長度 640mm

Model length above 800mm
型號長度 800mm 以上

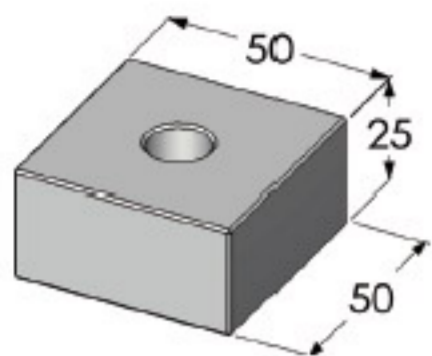
SPECIFICATIONS POLE SIZE: 91x91mm, MAGNETIC FORCE: 4800 ± 5% kgf/338cm² (4 POLES)

Unit: mm

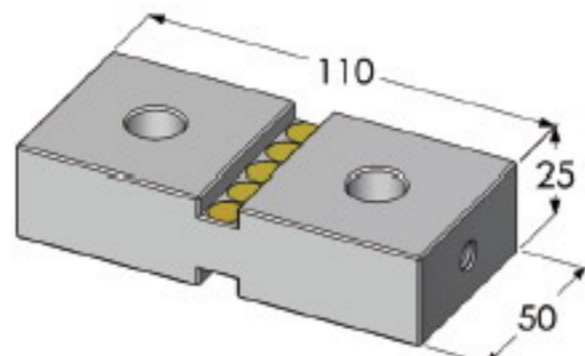
MODEL - D	A	B	C	D	E	F	G	G1	POLE P 磁極	NO. OF POLE 磁極數	T	N.W. (KG) 淨重	Voltage (Single phase) 電壓(單相)	Controller (Included) 控制器
ECMC-5959	565	640	75	30	25	20	-	27	91X91	20	M10	214	AC 380V ~ 440V	1N2C
ECMC-59100	565	1025					29			32		343		1N2C
ECMC-59130	565	1250					30			40		418		1N4C
ECMC-8080	790	800					28			36		374		1N4C
ECMC-82100	790	1025					29			48		480		1N4C
ECMC-82130	790	1250					30			60		585		1N4C

選購配件 Optional Accessories

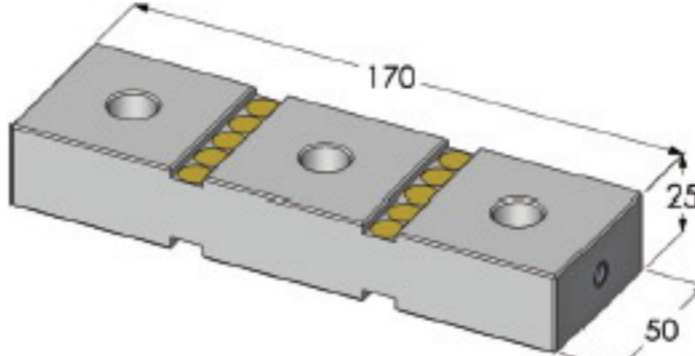
導磁塊 **Magnetic Soft Jaws**
ECMC-MSJ125B



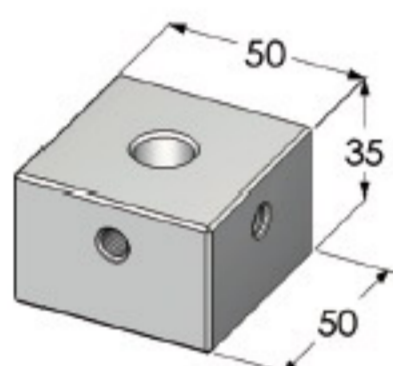
ECMC-MSJ225B



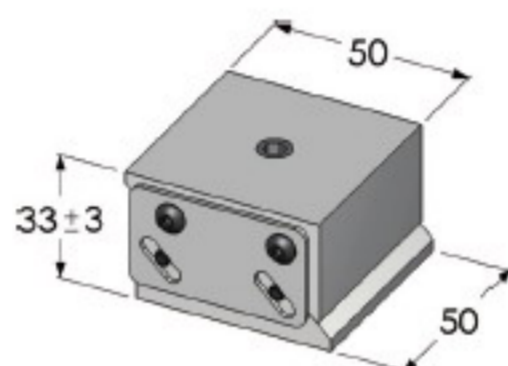
ECMC-MSJ325B



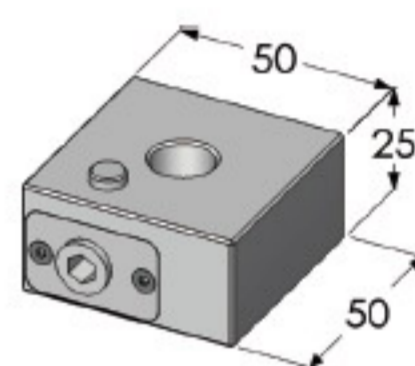
固定塊 **Fixed Soft Jaws**
ECMC-FSJ50B



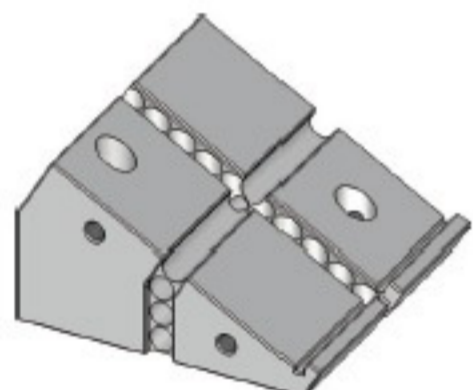
活動彈簧墊塊 **Moveable Spring Pads**
ECMC-MSP50B



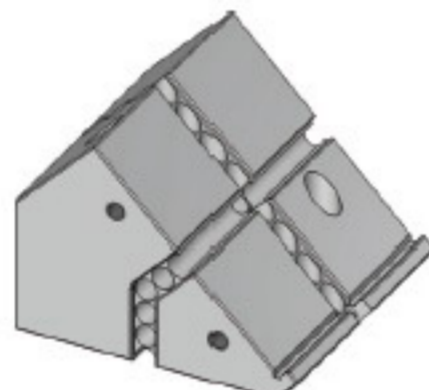
頂高導磁塊 **Top Pin Soft Jaws**
ECMC-TP50B



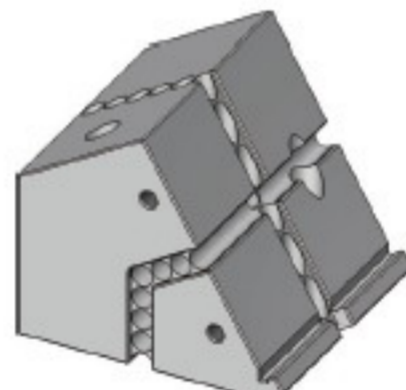
Magnetic Angle Soft Jaws
30° 導磁塊
ECMC-ANG30B



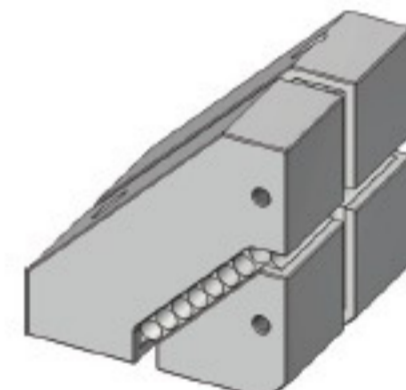
45° 導磁塊
ECMC-ANG45B



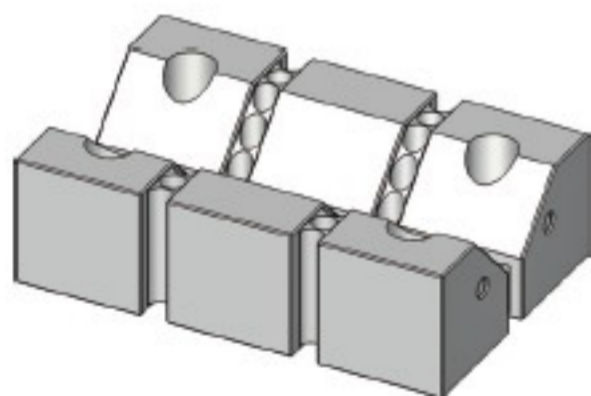
60° 導磁塊
ECMC-ANG60B



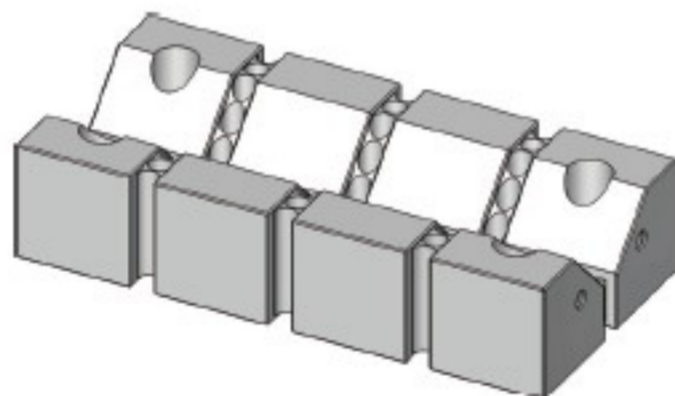
90° 導磁塊
ECMC-ANG90B



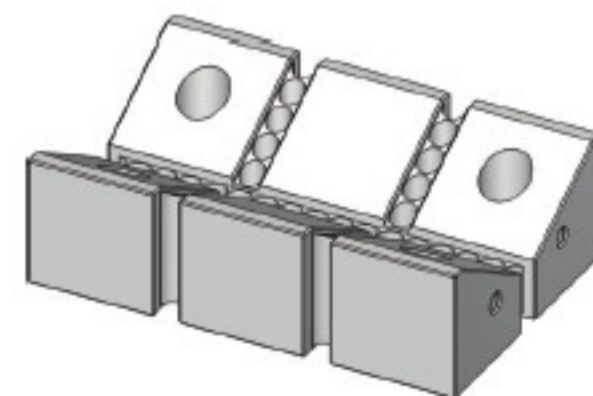
Magnetic Angle Soft V Jaws
90° V 型導磁塊 (3)
ECMC-ANG90V3B



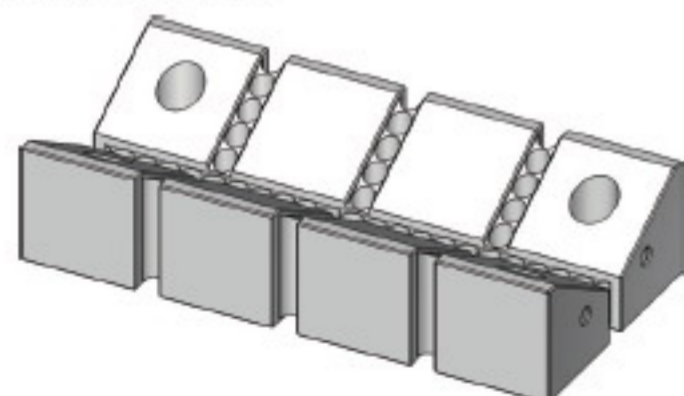
90° V 型導磁塊 (4)
ECMC-ANG90V4B



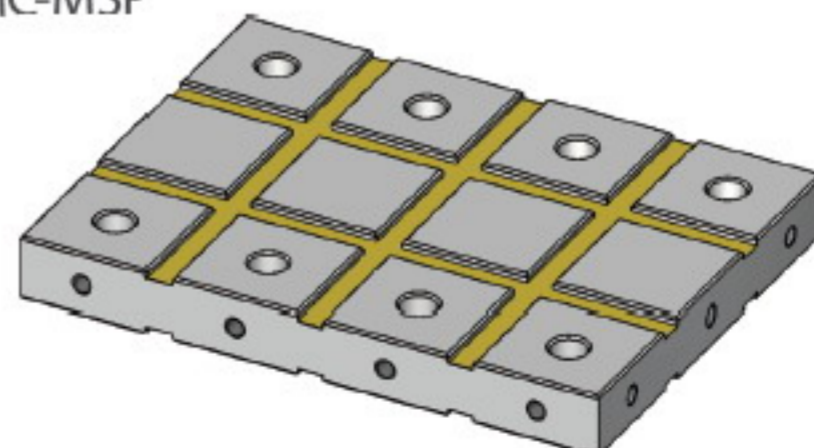
120° V 型導磁塊 (3)
ECMC-ANG120V3B



120° V 型導磁塊 (4)
ECMC-ANG120V4B



導磁塊 **Magnetic Soft Plate**
ECMC-MSP



HOMGE MACHINERY IND. CO., LTD.

Factory: No.287, Sec. 1, Shenlin Rd., Daya Dist., Taichung City 428, Taiwan
Tel: 886-4-2567 2057 . 2566 6158 | Fax: 886-4-2567 2016 . 2568 6099
E-mail: homge@ms22.hinet.net | <http://www.homge.com.tw>

可接受特殊規格訂做，歡迎洽詢

**We Accept Order for
customized specifications.**