



YEH CHIUN



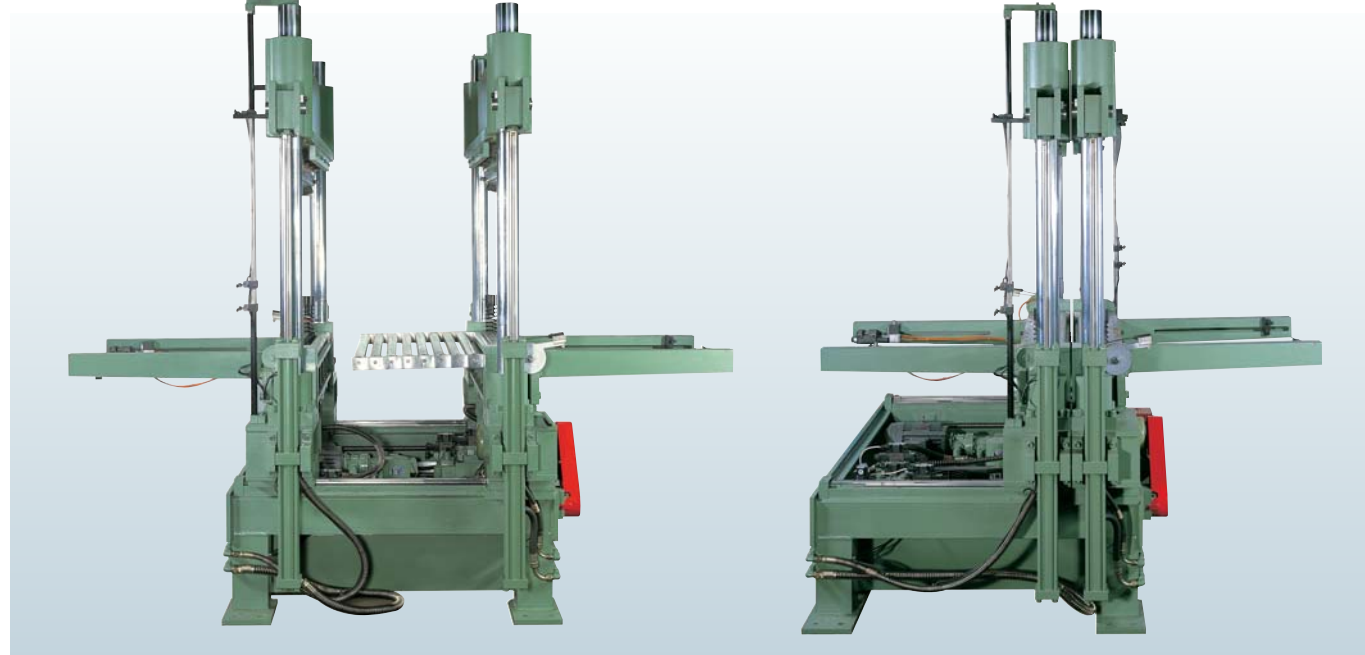
晔俊工業

- 可調式油壓雙彎鈹機YCL-S系列  
ADJUSTABLE HYDRAULIC DOUBLE FOLDING MACHINE YCL-S SERIES
- 油壓彎鈹機YCL系列  
HYDRAULIC FOLDING MACHINE YCL SERIES
- 手動折床YCB系列  
MANUAL FOLDING MACHINE YCB SERIES





# 可調式油壓雙彎鈹機YCL-S系列



## ■ 主要用途

1. OA鋼製鐵櫃箱體
2. 大型刀庫工具庫箱體
3. 冷凍、冷氣箱體

## ■ MAIN PURPOSE:

1. OA steel case and cabinet
2. Tooling storage box and cabinet
3. Refrigeration and air conditioner cabinet

## ■ 落地式操作箱面板說明

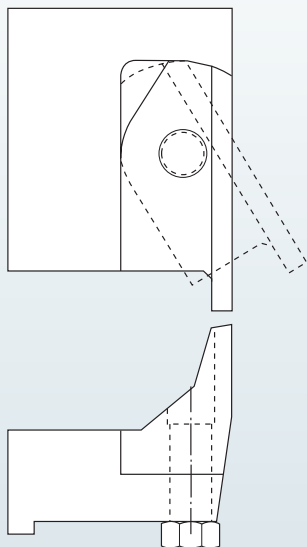
- 電源指示燈：電源有無入力的指示。
- 手動、自動：手動為檢視每個動作是否有異常或試料用，自動為正式生產。
- 電源開關：開關電源力入。
- 前進、寸動：翻板的動作，選擇前進或寸動。
- 泵浦啟動：油壓馬達的開啟開關。
- 泵浦停止：油壓馬達的停止開關。
- 緊急停止：動作停止。
- 彎板（左、右）：在手動模式選擇左邊或右邊機台動作。
- 彎板（單邊、一行程、雙邊）
- 單邊：在自動模式下，選擇彎板左或右，機台做單一折彎。
- 一行程：在自動模式下，上座同時下降至定位點，先做右邊成型再做左邊成型完成後，上座同時上昇。
- 雙邊：在自動模式下，上座同時下降至定位點，左右兩邊同時成型。
- 長度參數：所需成型，工作之中間尺寸。
- ▶ 可調距:380~1050 mm
- ◎ 油壓同步彎折
- ◎ 前規位置可互換



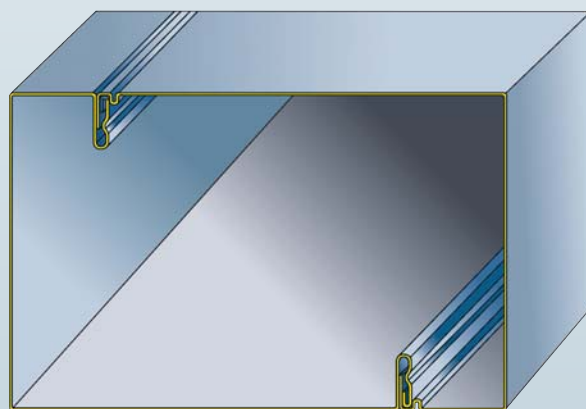
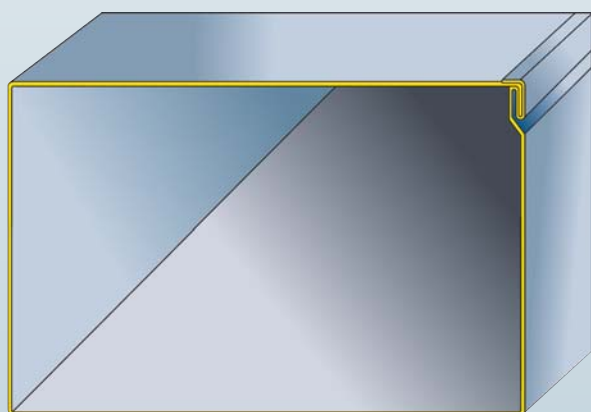
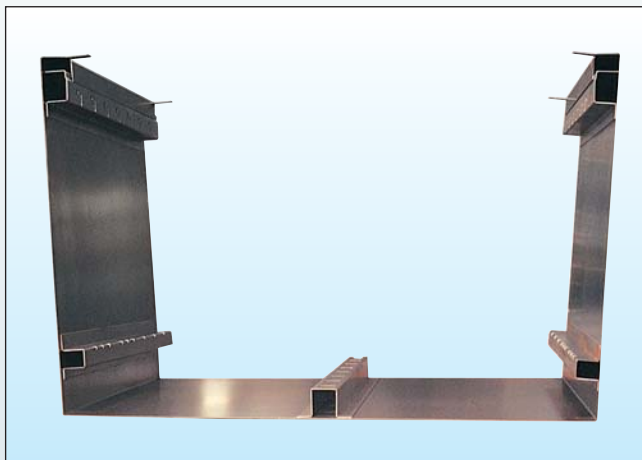
## ■ FLOOR TYPE OPERATION PANEL DESCRIPTION:

- Power on/off indicator light: show status of power input.
- Manual / Automatic switch: Manual is used to test or check exceptional situation in machine, automatic is for productions.
- Power switch: Turn power on and off.
- Forward / forward inching switch: mode of folding, Operator can select forward or forward inching.
- Pump start button: power on for hydraulic pump.
- Pump stop button: power off for hydraulic pump.
- Emergent stop button: for emergency stop.
- Folding (Right / Left): Can specify left side or right side to be in action.
- Folding (single side, single cycle, double side)
- Single side: Under automatic mode, operator can select to fold right or left side of steel plate.
- Single cycle: Under automatic mode, upper tools descend to preset position automatically, folding the right side of plate, then left side of plate and then upper tool ascend to original position automatically.
- Double side: Under automatic mode, upper tool descend to preset position and folding the right side and left side of plate in the same time.
- Length parameter: Medium dimension of the plate to be folded.
- ▶ Range of adjustable: 380 ~ 1050 mm
- ◎ Hydraulic synchronous folding
- ◎ Gauge position is interchangeable

■ 活葉組立圖  
DUAL POSITION BLADE



■ 成品例  
APPLICATION SAMPLES



■ 規格 SPECIFICATION

| 型號<br>Model | 板曲尺寸<br>Folding Length<br>(mm) | 板曲能力<br>Folding Capacity<br>(mm) | 最小彎度<br>Minimum Folding | 彎曲角度<br>Folding Angle | 主馬達<br>Main Motor<br>(HP) |
|-------------|--------------------------------|----------------------------------|-------------------------|-----------------------|---------------------------|
| YCL-860S    | 860                            | 2                                | 90°                     | 任何角度<br>Any Angle     | 3                         |
| YCL-1060S   | 1060                           | 2                                | 90°                     | 任何角度<br>Any Angle     | 3                         |
| YCL-1260S   | 1260                           | 2                                | 90°                     | 任何角度<br>Any Angle     | 5                         |
| YCL-1560S   | 1560                           | 3                                | 90°                     | 任何角度<br>Any Angle     | 5                         |

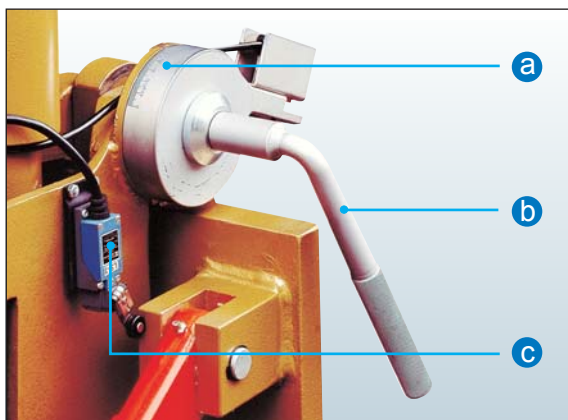
# 油壓彎鈹機 YCL 系列



## ■主要用途 MAIN PURPOSES

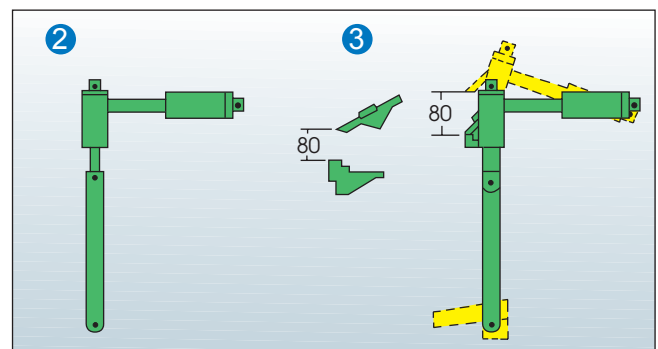
1. 空調風管 Air conditioning duct
2. 冷凍庫體、車箱 Refrigerator body and truck body
3. 組合式高隔間板 Modular furniture panels

- ① 角度由 $180^{\circ} \sim 60^{\circ}$  可以調整  
Angle adjustable from  $180^{\circ} \sim 60^{\circ}$



- a. 刻度盤 Index plate
- b. 刻度盤把手 Handle of index plate
- c. 折曲彎鈹停止開關 Turning plate stop switch

- ② 插入空間的四種特殊方向調整方法才是最簡單的操作。  
The special four directions adjustment method for space of insertion is simplest operation.



- ③ 金屬鈹的插入空間為其他相同機器空間之五倍。

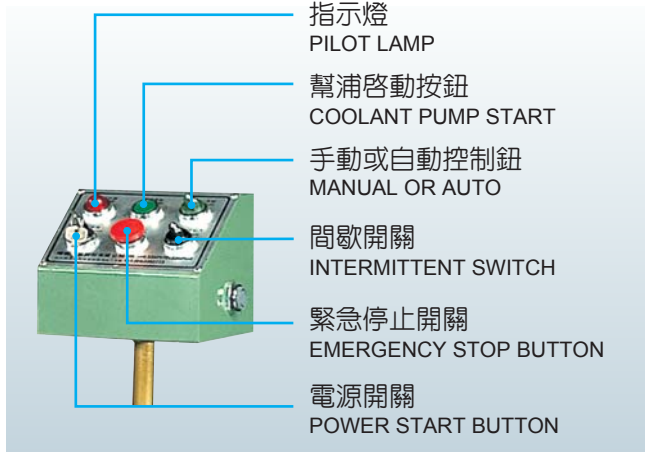
The space for insertion of the sheet metal is 5. times of the space to other similar machines.

- ④ 刀片係凹凸栓相接，因此全部刀片之應力能夠一致而無鬆弛現象，此外刀片長度可按需要而加以調整及組合，特殊的凹口在設計上可符合箱型彎曲過程之需要。

Blades are connected with convex bolt, so the stress of whole blade set is unified without being loosen. Besides, the blade length can be adjusted and assembled according to the requirement. Special notch is designed to meet for folding process of box-shaped workpiece.

⑤ 油脂潤滑裝置 Grease lubricating device

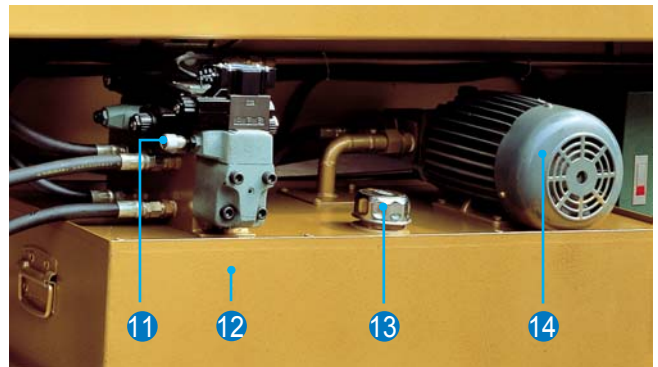
⑥ 控制箱 Controller box



⑫ 油箱 Oil box

⑬ 加油口 Oil mouth

⑭ 馬達 Motor



⑦ 折曲彎板座固定螺絲

Fixing screw of turning plate

⑧ 調整折曲彎板上下緊迫螺絲

Up & down screws to adjust the folding plate

⑨ 機油潤滑裝置

Motor oil lubricating device

⑩ 油壓腳踏開關

Oil pressure pedal switch

a. 成型腳踏開關

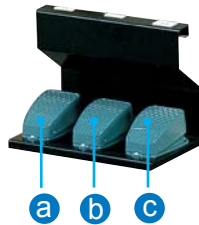
Forming pedal switch

b. 下降腳踏開關

Descending pedal switch

c. 上升腳踏開關

Ascending pedal switch

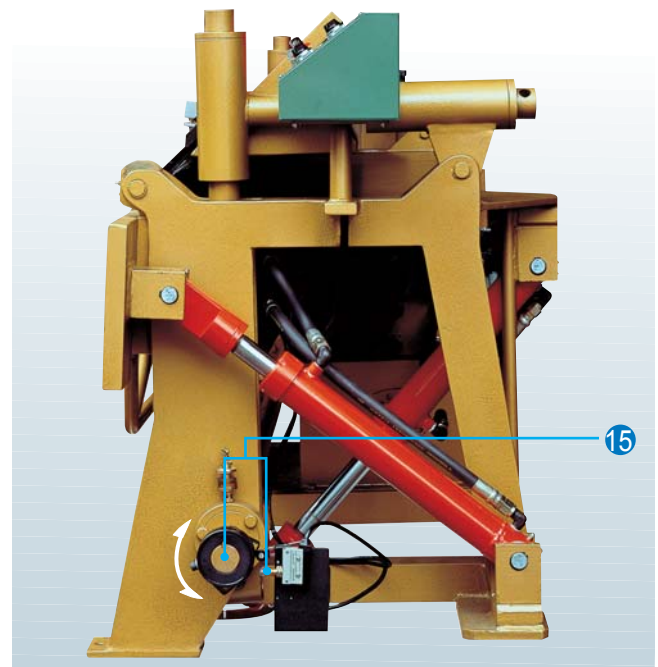


⑪ 壓力調整閥

Pressure adjusting valve

⑮ 刀口高度調整開關

Blade height adjusting switch



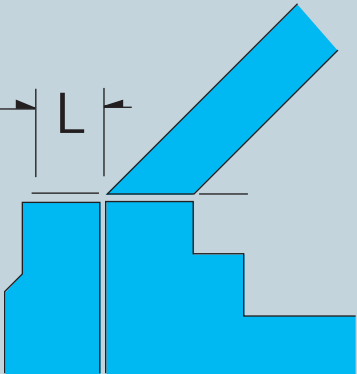
## 規格 SPECIFICATION

| 型號<br>Model | 板曲尺寸<br>Folding Length (mm) | 板曲能力<br>Folding Capacity (mm) | 最小彎度<br>Minimum Folding | 彎曲角度<br>Folding Angle | 重量<br>Weight (Kgs) | 主馬達<br>Main Motor (HP) | 裝箱尺寸<br>Packing Size(mm) |       |       |
|-------------|-----------------------------|-------------------------------|-------------------------|-----------------------|--------------------|------------------------|--------------------------|-------|-------|
|             |                             |                               |                         |                       |                    |                        | 長 (L)                    | 寬 (W) | 高 (H) |
| YCL-1230    | 1230                        | 1.6                           | 60°                     | 任何角度<br>Any Angle     | 650                | 3                      | 2050                     | 850   | 1250  |
| YCL-1830    | 1830                        | 1.6                           | 60°                     | 任何角度<br>Any Angle     | 1000               | 3                      | 2700                     | 850   | 1250  |
| YCL-2030    | 2030                        | 1.6                           | 60°                     | 任何角度<br>Any Angle     | 1200               | 3                      | 2850                     | 850   | 1250  |
| YCL-2440    | 2440                        | 1.6                           | 60°                     | 任何角度<br>Any Angle     | 1500               | 3                      | 3300                     | 850   | 1300  |
| YCL-3030    | 3030                        | 1.6                           | 60°                     | 任何角度<br>Any Angle     | 2500               | 3                      | 3900                     | 850   | 1350  |
| YCL-4000    | 4000                        | 1.6                           | 60°                     | 任何角度<br>Any Angle     | 3800               | 3                      | 4800                     | 1000  | 1500  |
| YCL-4500    | 4500                        | 1.6                           | 60°                     | 任何角度<br>Any Angle     | 4200               | 5                      | 5300                     | 1200  | 1800  |
| YCL-5000    | 5000                        | 1.6                           | 60°                     | 任何角度<br>Any Angle     | 5600               | 5                      | 5800                     | 1200  | 1600  |
| YCL-6000    | 6000                        | 1.6                           | 60°                     | 任何角度<br>Any Angle     | 7000               | 5                      | 7000                     | 1200  | 1800  |

# 手動折床 YCB系列



## ■ 彎曲能力 FOLDING CAPACITY

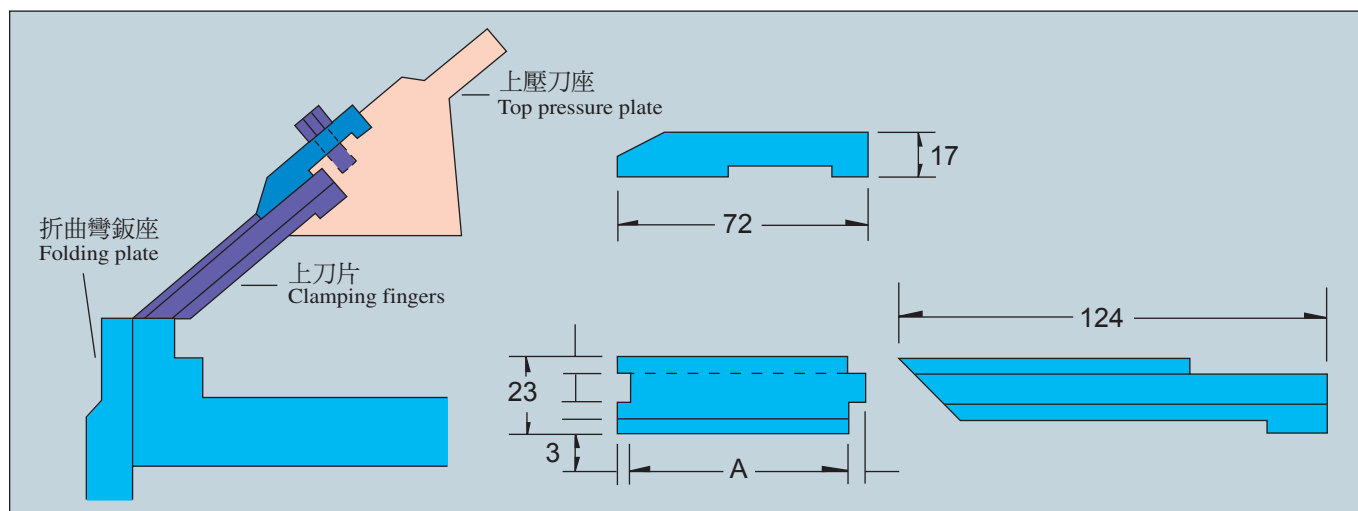


A : 薄鋼板 Mild steel  
B : 不鏽鋼板 Stainless steel

單位：片數 / mm  
UNIT: PIECE/mm

| 型式 S     | 厚度 T | 長度 L |       |       |       |      |
|----------|------|------|-------|-------|-------|------|
|          |      | 1mm  | 1.2mm | 1.6mm | 1.8mm | 2mm  |
| YCB-1230 | A    | 1230 | 1230  | 1000  | 800   | 600  |
|          | B    | 1000 | 800   | 700   | 600   | 400  |
| YCB-1830 | A    | 1830 | 1500  | 1200  | 1000  | 800  |
|          | B    | 1600 | 1200  | 1000  | 800   | 600  |
| YCB-2030 | A    | 2030 | 1600  | 1400  | 1200  | 1000 |
|          | B    | 1800 | 1400  | 1200  | 1000  | 800  |
| YCB-2440 | A    | 2440 | 2200  | 2200  | 1800  | 1600 |
|          | B    | 2200 | 2000  | 1800  | 1600  | 1400 |
| YCB-3030 | A    | 3030 | 2800  | 2600  | 2400  | 2200 |
|          | B    | 2800 | 2600  | 2400  | 2200  | 2000 |

## ■ 上壓刀座 UPPER CLAMPING FINGERS



## ■ 上壓刀座刀片尺寸 PRESSURE KNIFE

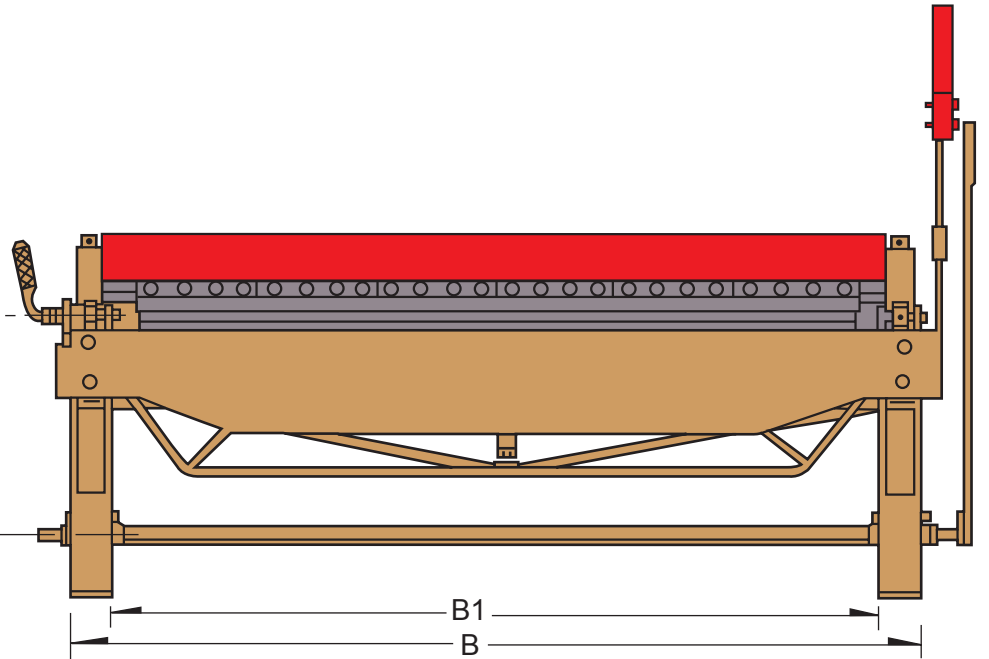
單位：片數 / mm  
UNIT: PIECE/mm

| 型式 TYPE   | 1  | 2  | 3  | 4   | 5   | 6   | 7   | 8   | 9   | 10  | 11  | 12  | 13  |
|-----------|----|----|----|-----|-----|-----|-----|-----|-----|-----|-----|-----|-----|
| 長度 LENGTH | 45 | 75 | 95 | 115 | 135 | 165 | 175 | 200 | 235 | 250 | 295 | 315 | 345 |

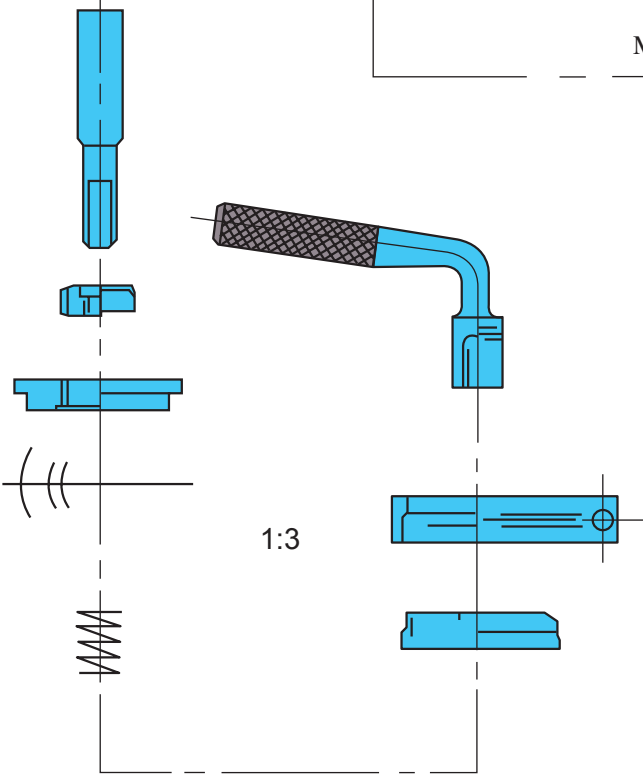
## ■ 規格 SPECIFICATION

| 型號 Model | 板曲尺寸 Folding Length (mm) | 板曲能力 Folding Capacity (mm) | 重量 Weight (Kgs) | 最小彎度 Minimum Folding | 彎曲角度 Folding Angle | 裝箱尺寸 Packing Size(mm) |      |      |
|----------|--------------------------|----------------------------|-----------------|----------------------|--------------------|-----------------------|------|------|
|          |                          |                            |                 |                      |                    | 長(L)                  | 寬(W) | 高(H) |
| YCB-1230 | 1230                     | 1.6                        | 550             | 60°                  | 任何角度 Any Angle     | 2080                  | 850  | 1250 |
| YCB-1830 | 1830                     | 1.6                        | 900             | 60°                  | 任何角度 Any Angle     | 2700                  | 850  | 1250 |
| YCB-2030 | 2030                     | 1.6                        | 1000            | 60°                  | 任何角度 Any Angle     | 2850                  | 850  | 1250 |
| YCB-2440 | 2440                     | 1.6                        | 1250            | 60°                  | 任何角度 Any Angle     | 3300                  | 850  | 1250 |

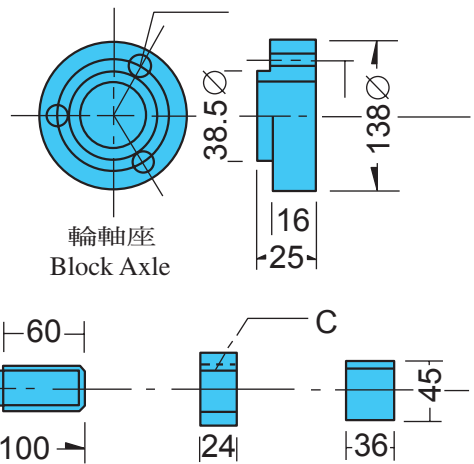




手動折床結構面  
Manual Folding Machine Structural Plan



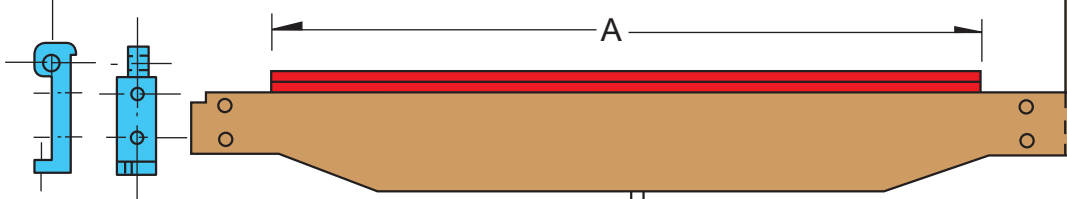
角度調整盤  
Gradient Index Plate



輪軸座  
Block Axle

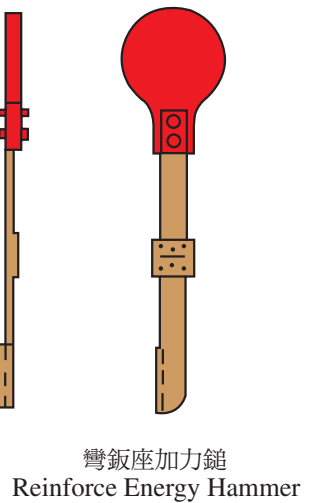
角度緊迫螺絲  
Reinforcement Screw

Shaft Bearing-Rna 6905 軸承

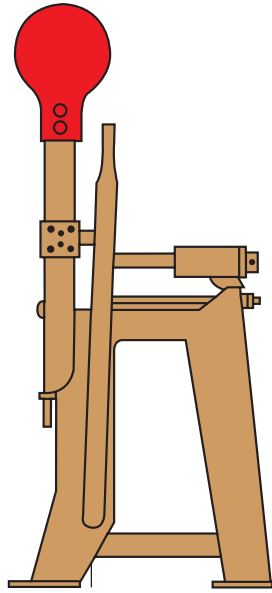


角度補償  
Angle Compensate C

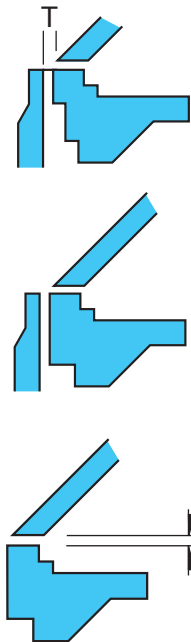
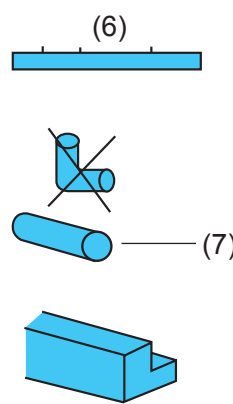
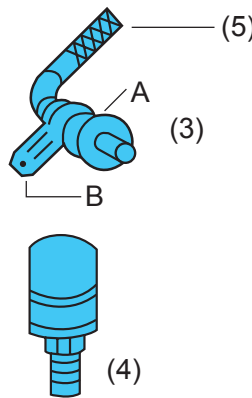
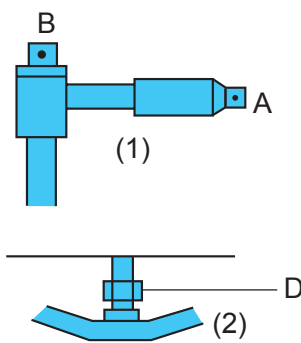
彎板座  
Turning Plate



彎板座加力鎚  
Reinforce Energy Hammer



機器調整方法說明

 Machine Processing Method-Illustrations  
 Finished Products

 偏心壓力桿  
 Eccentric Pressure Rod

 上壓刀座鬆緊調整螺絲  
 Pressure Adjustment Screw

**使用及維護說明：**

1. 調整壓力板的厚度：利用附件（扳手）將B件向四方調整到適當的大小。
2. 調整彎板座螺絲（D）能承受適當壓力（可補正角度）。
3. 角度調整：①使指標刻度指向所需的角度。  
 ②調整容差角度（B）到達所需角度。  
 ③分度盤（內部有120個刻度齒）。
4. 潤滑軸承。
5. 分度盤栓緊把手。
6. 在彎曲加工時應注意在加工物件上不得有焊接點或突出物。
7. 不得加工圓鐵及棒類。

附註：本機器在設計上具有多項功能，可以彎曲任何不同角度之需要。鋼製傢俱、冷氣冷凍箱、空調四方管及補強線折曲。其特殊功能，可用來製造任何角度、直線、或弧型的箱子，以因應客戶之需求本公司製造此機種已有二十多年的經驗，每一機件均經本公司精心設計研發。

\* 本公司不斷研究改進，若規格有任何更改，恕不另行通知。

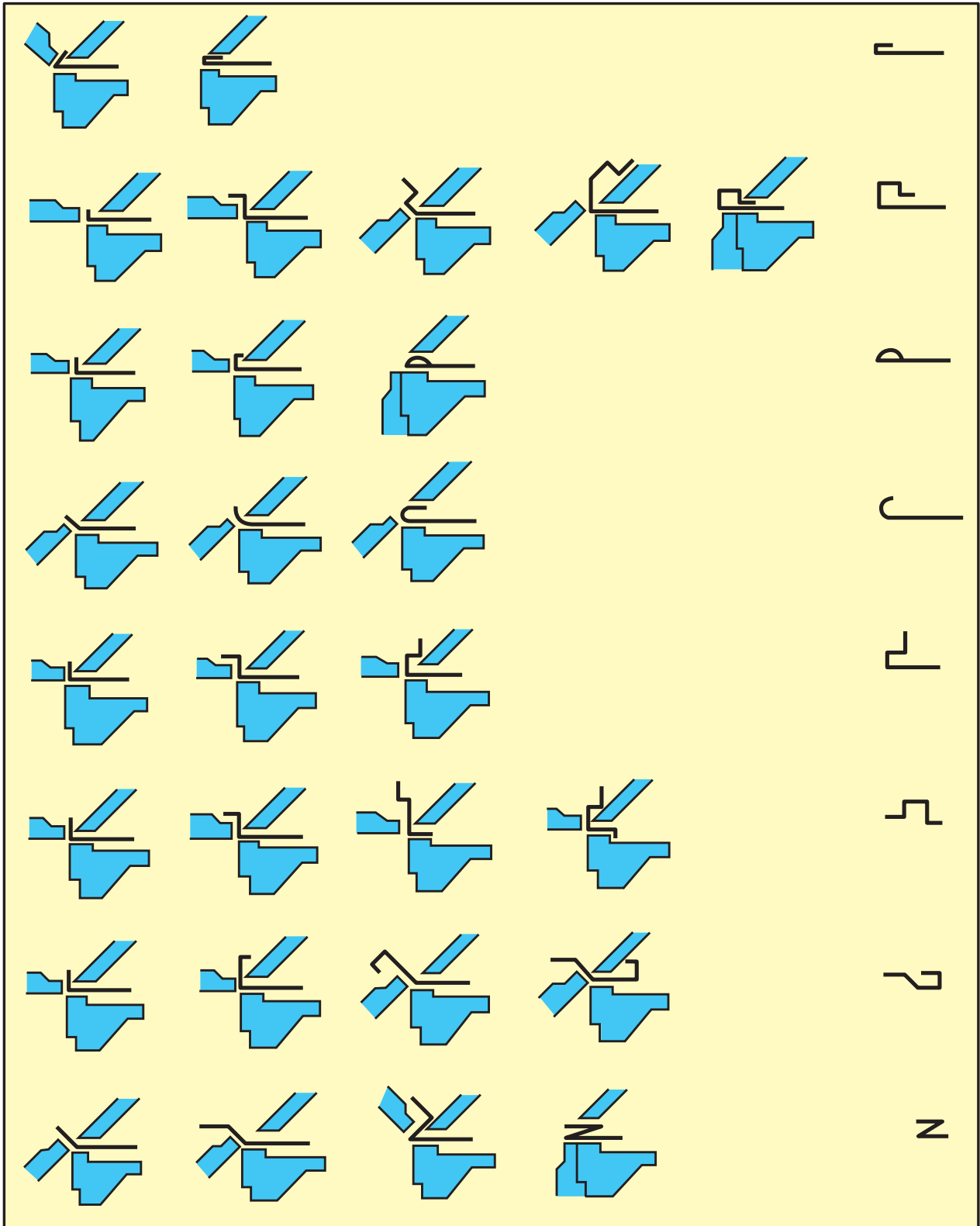
**Directions of Use and Maintenance:**

1. To adjust the thickness of pressure plate: Adjust properly the part B in four directions with the accessory (wrench rod).
2. To adjust folding plate screw (D) for bearing properly the pressure.
3. Angle adjusting: (1) Make index graduation aim at the required angle.  
 (2) Adjust tolerance angle screw B to the required angle.
4. Lubricating for the shaft bearing.
5. Be sure to tighten screw for the index plate. (There are 120 graduations inside)
6. Take note that the material to be folded is free of welding spots or other spots on the surface.
7. Rod and round iron are not allowed.

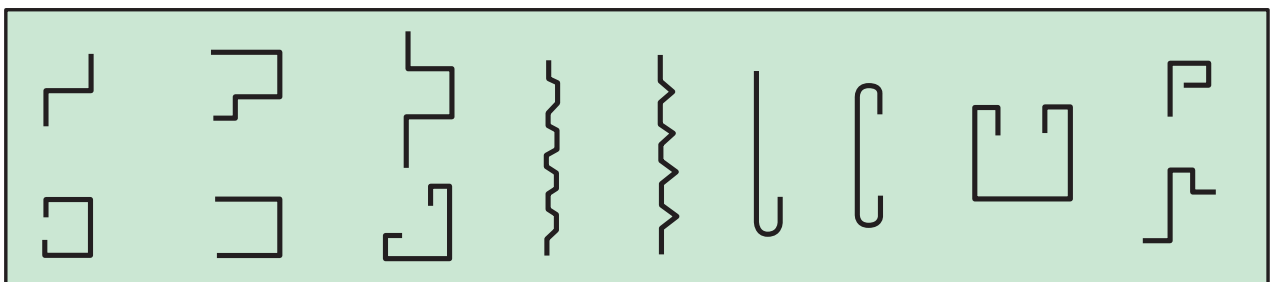
Remark: This machine is designed with multi-function for angle bending, box folding, & edge folding, etc. With special function, it can be operated for all angled, straight lined, and curvature shaped boxes. It is manufactured by us with twenty yearlong of experience. Each part of the machine is designed carefully by our company without imitation to any design or style of domestic and overseas factories.

\* Under our continuous R&D, for any change in specifications without prior notice.

■ 折曲形狀簡單範例 ILLUSTRATIONS OF TYPICAL FOLDING PROCESS



■ 彎鈹樣本 FOLDING SAMPLES



## 主要產品 MAIN PRODUCTS:

- CNC油壓折床YCN/DA系列  
CNC HYDRAULIC PRESS BRAKE  
YCN/DA SERIES
- NC油壓折床YCN/DA/NC系列  
NC HYDRAULIC PRESS BRAKE  
YCN/DA/NC SERIES
- CNC/AC電機伺服馬達折床EPB系列  
CNC AC SERVO PRESS BRAKE  
EPB SERIES
- 油壓折床YCA系列  
HYDRAULIC PRESS BRAKE  
YCA SERIES
- 萬能油壓折床YCU系列  
UNIVERSAL HYDRAULIC PRESS BRAKE  
YCU SERIES
- 油壓彎板機YCL系列  
HYDRAULIC FOLDING MACHINE  
YCL SERIES
- 手動彎板機YCB系列  
MANUAL FOLDING MACHINE  
YCB SERIES
- 自動化油壓剪床送料集料生產線YCS-F系列  
AUTOMATIC HYDRAULIC SHEAR FEEDING AND  
STACKING PRODUCTION LINE  
YCS-F SERIES
- CNC多軸直截式油壓剪床YCS-H系列  
CNC MULTIPLE AXES GUILLOTINE HYDRAULIC SHEAR  
YCS-H SERIES
- NC直截式油壓剪床YCS-H系列  
NC GUILLOTINE HYDRAULIC SHEAR  
YCS-H SERIES
- NC搖臂式油壓剪床YCS-S系列  
NC HYDRAULIC SWING BEAM SHEAR  
YCS-S SERIES
- 油壓切角機YCE系列  
HYDRAULIC NOTCHING MACHINE  
YCE SERIES
- 油壓深絞成型機YCT系列  
HYDRAULIC STRAIGHT-SIDE PRESS  
YCT SERIES
- 油壓C型沖床YCT-C/YCT-CG系列  
C-FRAME HYDRAULIC PRESS  
YCT-C/YCT-CG SERIES
- 油壓四柱型沖床YCH系列  
4-POST HYDRAULIC PRESS  
YCH SERIES
- 油壓合模機YCT-DS系列  
HYDRAULIC DIE SPOTTING PRESS  
YCT-DS SERIES
- 金屬板冷軋滾輪成型機及周邊自動化設備  
METAL COLD ROLL FORMING LINE  
& AUTOMATIC SOLUTIONS
- CNC三軸同步控制刨V槽專用機YCV系列  
CNC 3 AXES V PLANER  
YCV SERIES



## 暉俊工業股份有限公司 YEH CHIUN INDUSTRIAL CO., LTD.

台灣一廠·台中市41463烏日區福泰街75號  
OFFICE1: NO.75, FU TAI ST., WURI DIST., TAICHUNG CITY  
41463, TAIWAN (R.O.C.)  
TEL: +886-4-23352579 FAX: +886-4-23352773

台灣二廠·台中市41468烏日區大明路成豐巷42之8號  
OFFICE2: NO.42-8, CHENG FENG LN., TAIMING RD., WURI DIST.,  
TAICHUNG CITY 41468, TAIWAN (R.O.C.)  
TEL: +886-4-23354705 FAX: +886-4-23352868

暉俊(昆山)機械有限公司  
YEH CHIUN (KUN SHAN) MACHINERY CO., LTD.  
TEL: +86-512-57932602 FAX: +86-512-57932797  
E-mail: yehchiun@126.com

經銷商(AGENT):

<http://www.yehchiun.com>

E-mail: [sales@yehchiun.com](mailto:sales@yehchiun.com)