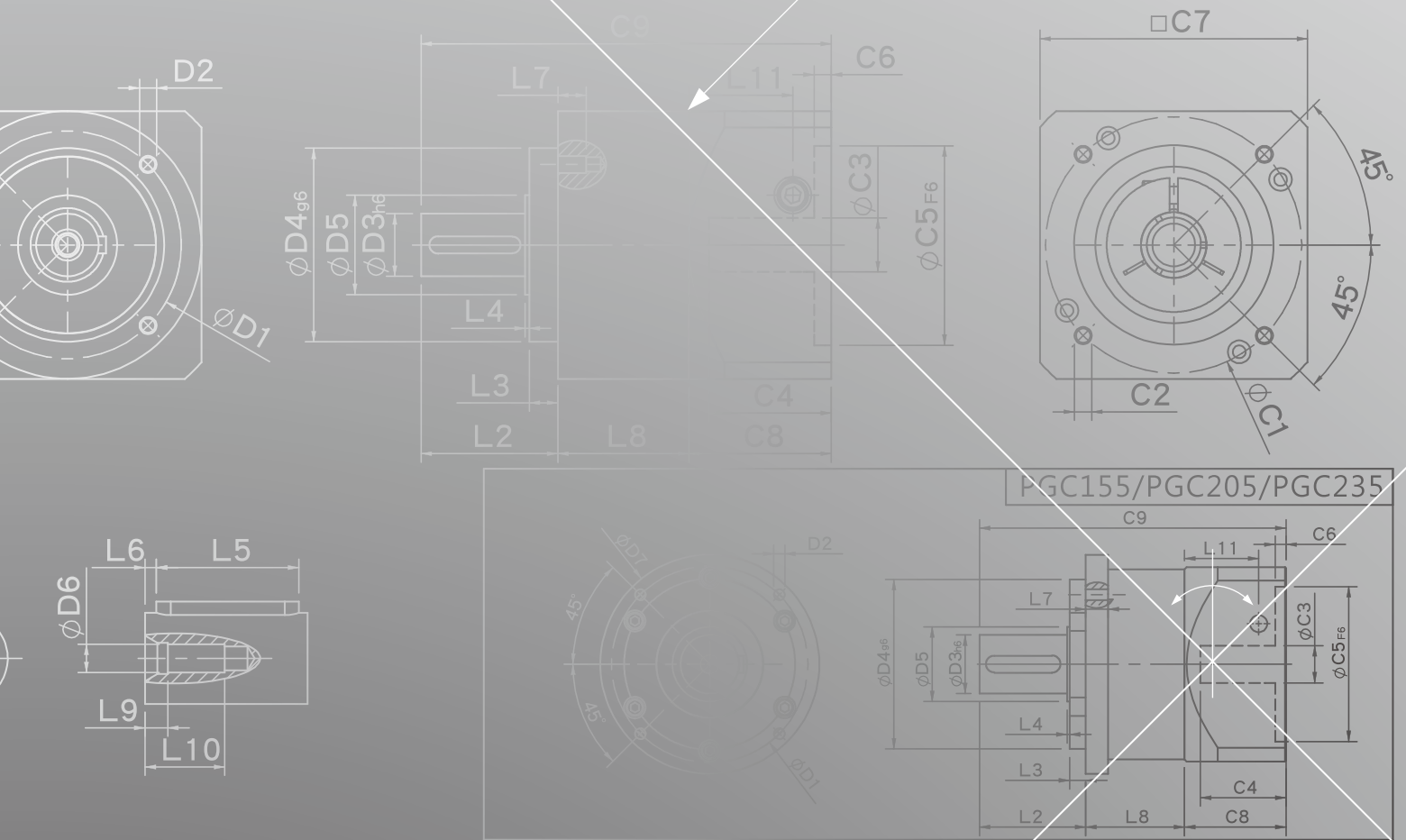
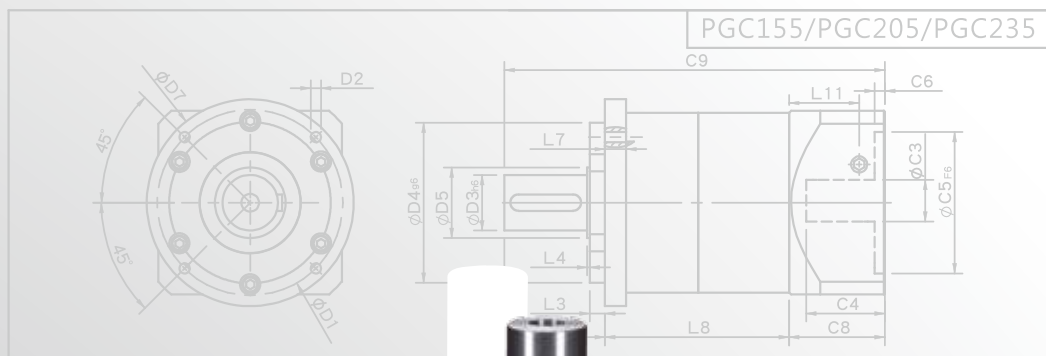
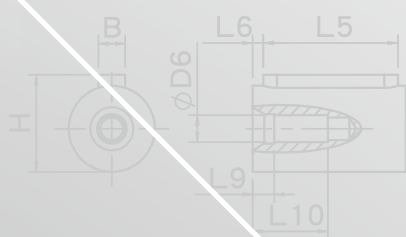
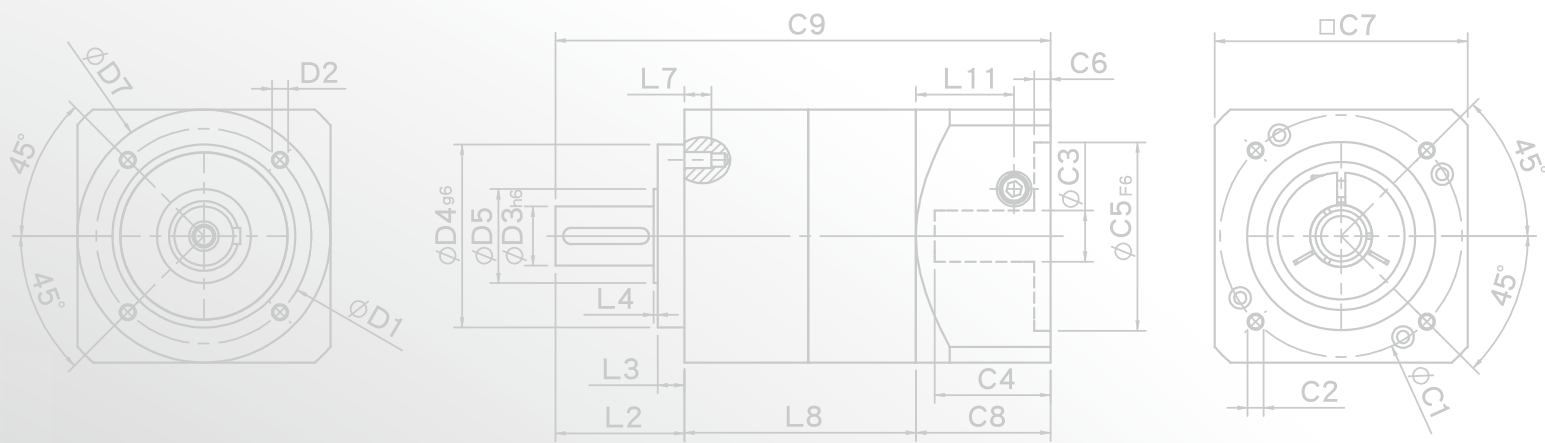
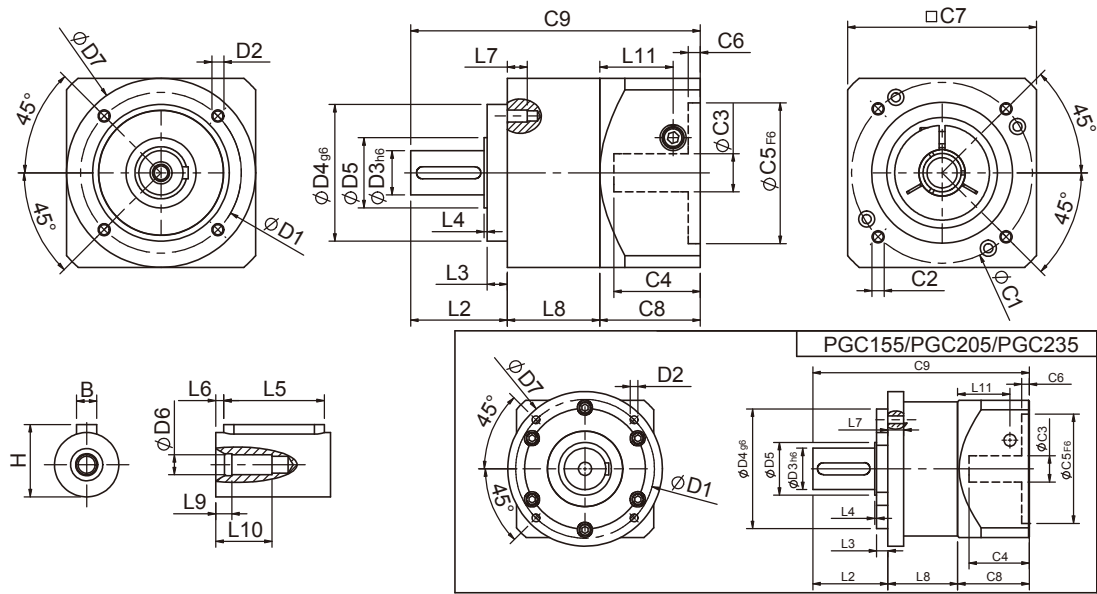


PGC SERIES





PGC Single Stage Dimensions PGC單段外型尺寸圖



Specifications 規格

Unit:mm

尺寸 Dimensions	PGC50	PGC70	PGC90	PGC120	PGC155	PGC205	PGC235
D1	44	62	80	108	140	184	210
D2	M4x0.7P	M5x0.8P	M6x1.0P	M8x1.25P	M10x1.5P	M12x1.75P	M16x2.0P
D3 _{h6}	13	16	22	32	40	55	75
D4 _{g6}	35	52	68	90	120	160	180
D5	15	25	35	45	50	70	90
D6	M4x0.7P	M5x0.8P	M8x1.25P	M12x1.75P	M16x2.0P	M20x2.5P	M20x2.5P
D7	50	70	94	120	155	205	235
L2	24.5	35	48	60	93	99.5	126
L3	4	5	10	6	8	15	18
L4	1.5	1.5	1.5	3	6	2.5	3
L5	15	25	32	40	60	70	90
L6	2	2	3	5	5	6	7
L7	8	10	10	15	18	21	32
L8	30	38	46	61	79	92.5	129.5
L9	4	4	4.5	6	6	8	7
L10	14	16.5	20.5	30	38	48	42
L11	24.4	31.5	36.5	42	63	69.5	102.2
C1 ²	46	70	90	115	145	200	235
C2 ²	M4x0.7P	M5x0.8P	M6x1.0P	M8x1.25P	M8x1.25P	M12x1.75P	M12x1.75P
C3 ²	≤8	≤14	≤19/≤24	≤24/≤28	≤35	≤50	≤55
C4 ²	27	35	43	58	66	82	98
C5 ² _{F6}	30	50	70	95	110	114.3	200
C6 ²	4	5	5	8	6	13	12
C7 ²	50	70	94	120	140	182	220
C8 ²	38.5	46	55	63	80	95	130
C9 ²	93	119	149	184	252	287	385.5
B	5	5	6	10	12	16	20
H	15	18	24.5	35	43	59	79.5

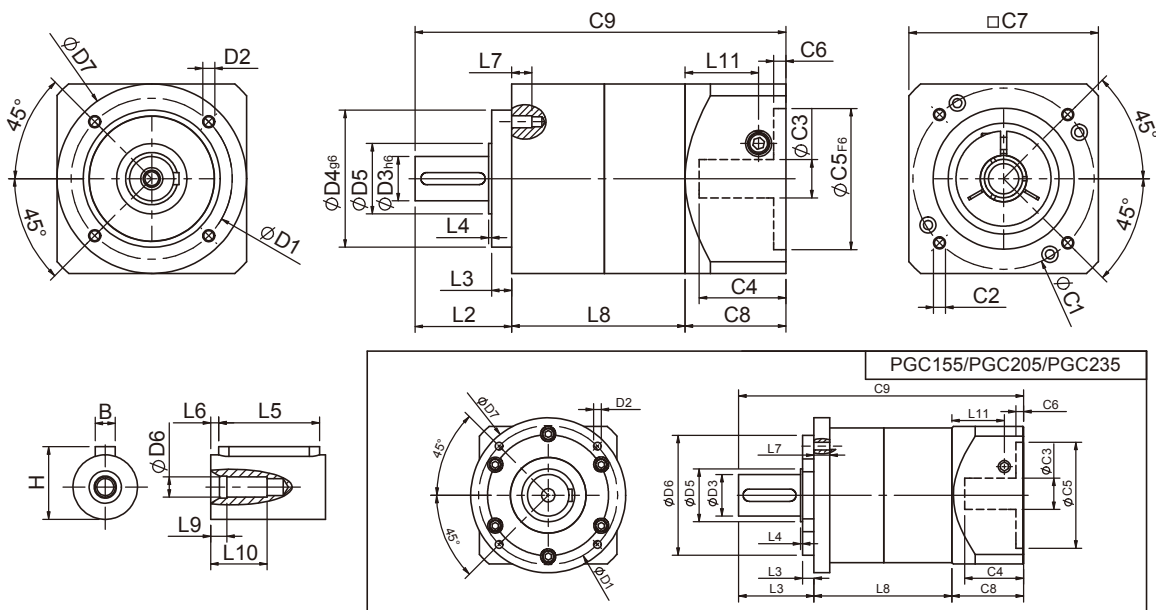
★ C1~C9是公製標準馬達連接板尺寸,請依所選用的馬達決定。

★ C1~C9 are motor specific dimensions(metric std shown), Size may vary according to the motor flange chosen.

★ 本公司有權針對以上數據規格進行設計變更不先行告知。

★ Specification subject to change without notice.

PGC Double Stage Dimensions-1 PGC雙段外型尺寸圖-1



Specifications 規格

Unit:mm

尺寸 Dimensions	PGC50	PGC70	PGC90	PGC120	PGC155	PGC205	PGC235
D1	44	62	80	108	140	184	210
D2	M4x0.7P	M5x0.8P	M6x1.0P	M8x1.25P	M10x1.5P	M12x1.75P	M16x2.0P
D3h6	12	16	22	32	40	55	75
D4g6	35	52	68	90	120	160	180
D5	15	25	35	45	50	70	90
D6	M4x0.7P	M5x0.8P	M8x1.25P	M12x1.75P	M16x2.0P	M20x2.5P	M20x2.5P
D7	50	70	94	120	155	205	235
L2	24.5	35	48	60	93	99.5	126
L3	4	5	10	6	8	15	18
L4	1.5	1.5	1.5	3	6	2.5	3
L5	15	25	32	40	60	70	90
L6	2	2	3	5	5	6	7
L7	8	10	10	15	18	21	32
L8	56	66	86	109	140	182.5	244
L9	4	4	4.5	6	6	8	7
L10	14	16.5	20.5	30	38	48	42
L11	24.4	31.5	36.5	42	63	69.5	102.2
C1 ²	46	70	90	115	145	200	235
C2 ²	M4x0.7P	M5x0.8P	M6x1.0P	M8x1.25P	M8x1.25P	M12x1.75P	M12x1.75P
C3 ²	≤8	≤14	≤19/≤24	≤24/≤28	≤35	≤50	≤55
C4 ²	27	35	43	58	66	82	98
C5 ² F6	30	50	70	95	110	114.3	200
C6 ²	4	5	5	8	6	13	12
C7 ²	50	70	94	120	140	182	220
C8 ²	34	44	50	63	80	95	130
C9 ²	114.5	145	184	232	313	377	500
B	5	5	6	10	12	16	20
H	15	18	24.5	35	43	59	79.5

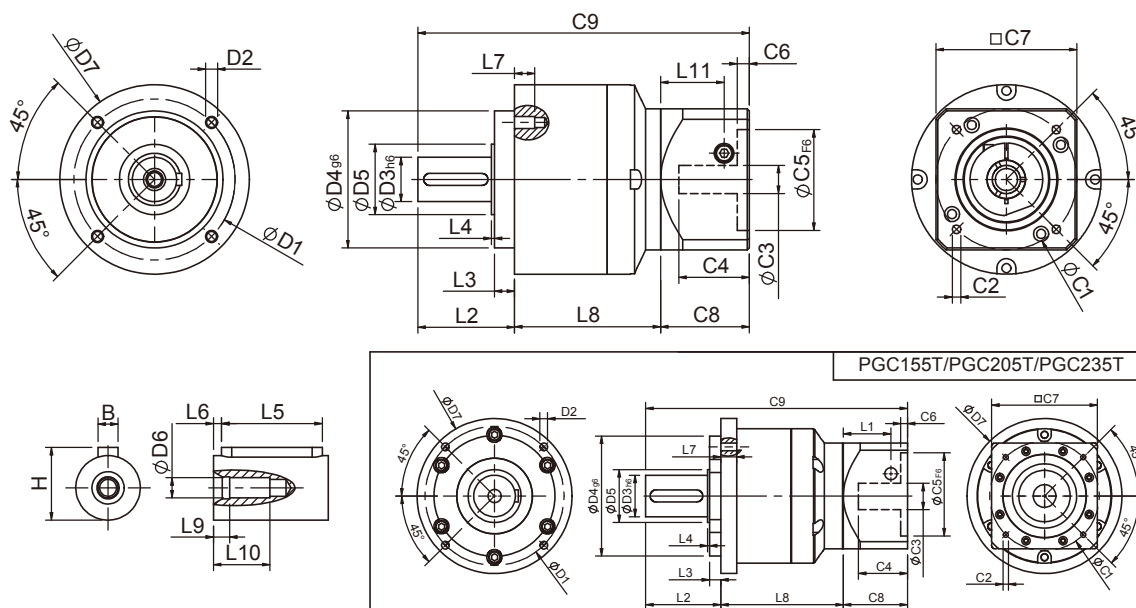
★ C1~C9是公製標準馬達連接板尺寸,請依所選用的馬達決定。

★ 本公司有權針對以上數據規格進行設計變更不先行告知。

★ C1~C9 are motor specific dimensions(metric std shown), Size may vary according to the motor flange chosen.

★ Specification subject to change without notice.

PGC Double Stage Dimensions-2 PGC雙段外型尺寸圖-2



Specifications 規格

Unit:mm

尺寸 Dimensions	PGC70T	PGC90T	PGC120T	PGC155T	PGC205T	PGC235T
D1	62	80	108	140	184	210
D2	M5x0.8P	M6x1.0P	M8x1.25P	M10x1.5P	M12x1.75P	M16x2.0P
D3 _{h6}	16	22	32	40	55	75
D4 _{g6}	52	68	90	120	160	180
D5	25	35	45	50	70	90
D6	M5x0.8P	M8x1.25P	M12x1.75P	M16x2.0P	M20x2.5P	M20x2.5P
D7	70	94	120	155	205	235
L2	35	48	60	93	99.5	126
L3	5	10	6	8	15	18
L4	1.5	1.5	3	6	2.5	3
L5	25	32	40	60	70	90
L6	2	3	5	5	6	7
L7	10	10	15	18	21	32
L8	60.8	72.5	99.4	127	162	211.5
L9	4	4.5	6	6	8	7
L10	16.5	20.5	30	38	48	42
L11	29	35.5	40.5	42	63	69.5
C1 ²	46	70	90	115	145	200
C2 ²	M4x0.7P	M5x0.8P	M6x1.0P	M8x1.25P	M8x1.25P	M12x1.75P
C3 ²	≤8	≤14	≤19/≤24	≤24/≤28	≤35	≤50
C4 ²	28.5	41	47.75	58	66	82
C5 ² F6	30	50	70	95	110	114.3
C6 ²	5.5	8	6	8	6	13
C7 ²	50	70	94	120	140	182
C8 ²	40	50	55	63	80	95
C9 ²	135.8	170.5	214.4	283	341.5	432.5
B	5	6	10	12	16	20
H	18	24.5	35	a43	59	79.5

★ C1~C9是公製標準馬達連接板尺寸,請依所選用的馬達決定。

★ 本公司有權針對以上數據規格進行設計變更不先行告知。

★ C1~C9 are motor specific dimensions(metric std shown), Size may vary according to the motor flange chosen.

★ Specification subject to change without notice.

PGC Specifications Table PGC性能規格共表

規格 Specifications		節數 Stage	減速比 Ratio	PGC-50	PGC-70	PGC-90	PGC-120	PGC-155	PGC-205	PGC-235
額定輸出力矩 T_{2N} Nominal Output Torque	N • m	1	3	13.8	44.2	95.2	283	482	1151	1670
			4	11.9	35.9	74.6	249	490	1055	1574
			5	13.8	43.0	95.2	283	473	1151	1670
			7	11.9	36.0	85.6	219	400	1055	1574
			10	10.1	25.0	75.0	210	320	763	1184
		節數 Stage	減速比 Ratio	PGC-50	PGC-70(T)	PGC-90(T)	PGC-120(T)	PGC-155(T)	PGC-205(T)	PGC-235T
		2	15	13.8	44.2	95.2	283	482	1151	1670
			20	11.9	35.9	74.6	249	490	1055	1574
			25	13.8	43.0	95.2	283	473	1151	1670
			30	13.8	43.0	95.2	283	473	1151	1670
			35	13.8	43.0	95.2	283	473	1151	1670
			40	13.8	43.0	95.2	283	473	1151	1670
			50	13.8	43.0	95.2	283	473	1151	1670
			70	11.9	36.0	85.6	219	400	1055	1574
100	10.1	25.0	75.0	210	320	763	1184			
急停力矩 T_{2NOT} Emergency Stop Torque	N • m	3.0 倍額定輸出力矩 (3.0 times of Nominal Output Torque) (* 最大輸出力矩 Max. Output Torque T_{2B} =60% of Emergency Stop Torque)								
額定輸入轉速 n_{1N} Nominal Input Speed	rpm	1,2	3-100	3000	3000	3000	2500	2000	2000	2000
最大輸入轉速 n_{1max} Max. Input Speed	rpm	1,2	3-100	6000	6000	6000	5000	4000	4000	4000
超精密背隙 Micro Backlash P0	arcmin	1	3-10	-	-	-	≤ 3	≤ 3	≤ 3	≤ 3
		2	12-100	-	-	-	≤ 5	≤ 5	≤ 5	≤ 5
精密背隙 Precision Backlash P1	arcmin	1	3-10	-	≤ 6	≤ 6	≤ 5	≤ 5	≤ 5	≤ 5
		2	12-100	-	≤ 9	≤ 9	≤ 7	≤ 7	≤ 7	≤ 7
標準背隙 Standard Backlash P2	arcmin	1	3-10	≤ 12	≤ 9	≤ 9	≤ 7	≤ 7	≤ 7	≤ 7
		2	12-100	≤ 15	≤ 12	≤ 12	≤ 9	≤ 9	≤ 9	≤ 9
扭轉剛性 Torsional Rigidity	N • m /arcmin	1,2	3-100	1.0	2.8	7.5	15.5	30	57	110
容許徑向力 F_{2rB}^1 Max. Radial Load	N	1,2	3-100	450	1200	2050	4250	7680	9080	13500
容許軸向力 F_{2aB}^1 Max. Axial Load	N	1,2	3-100	320	900	1420	2930	4680	5100	7300
使用溫度 Operating Temp.	°C		3-100	-10 °C ~ +90 °C						
使用壽命 Service Life	hr		3-100	20,000 (10,000/ 連續運轉 Continuous operation)						
效率 Efficiency	%	1	3-10	≥ 96%						
		2	12-100	≥ 92%						
重量 Weight	kg	1	3-10	0.7	1.4	3.0	7.3	15.6	26	56
		2	12-100	0.9	2.2(1.7)	5.0(3.4)	11.5(8.5)	20.7(17.2)	36(31)	80(62)
安裝方向 Mounting Position	-	1,2	3-100	任意方向 Any direction						
噪音值 Noise Level ²	dB(A)/1m	1,2	3-100	60	62	65	65	70	70	75
防護等級 Protection Class	-	1,2	3-100	IP65						
潤滑 Lubrication	-	1,2	3-100	全合成潤滑油脂 Synthetic Lubricant						
減速機轉動慣量 Inertia(J1)										
節數 Stage	減速比 Ratio	單位 unit	PGC-50	PGC-70	PGC-90	PGC-120	PGC-155	PGC-205	PGC-235	
1	3	Kg • cm ²	0.03	0.20	0.81	2.20	7.89	25.2	77.9	
	4		0.02	0.16	0.65	1.80	5.83	19.8	56.5	
	5		0.02	0.15	0.62	1.61	5.38	18.3	53.3	
	7		0.02	0.14	0.60	1.55	5.22	17.8	53.0	
	10		0.02	0.14	0.60	1.53	5.20	17.6	52.9	
節數 Stage	減速比 Ratio	PGC-50	PGC-70(T)	PGC-90(T)	PGC-120(T)	PGC-155(T)	PGC-205(T)	PGC-235T		
2	15/20/25	0.02	0.15(0.02)	0.62(0.15)	1.61(0.62)	5.38(1.61)	18.3(5.38)	53.9(18.3)		
	30/35/40	0.02	0.14(0.02)	0.60(0.14)	1.55(0.60)	5.22(1.55)	17.8(5.22)	53.0(17.8)		
	50/70/100	0.02	0.14(0.02)	0.60(0.14)	1.53(0.60)	5.20(1.53)	17.6(5.20)	52.9(17.6)		

* 1. 輸出轉速 100rpm 時，作用於輸出軸中心位置。Applied to the output shaft center @100rpm.

* 2. 3000rpm 空載量測。Measured at 3000 rpm with no load. These values are measured by gearbox with ratio = 10 (1-stage) or ratio = 100 (2-stage) at nominal input speed or 3000 rpm (if nominal input speed is higher than 3000 rpm) with no load.

※本公司有權對以上數據規格逕行設計變更不先行告知。The above figures/specifications are subject to change without prior notice.

Products due to human error, natural disasters or other factors lead to poor or damaged, will not be covered under warranty.

產品因人為原因或天災等因素導致不良或損壞，不在保固範圍內。