



YING SHUN
MACHINERY INDUSTRY CO., LTD.

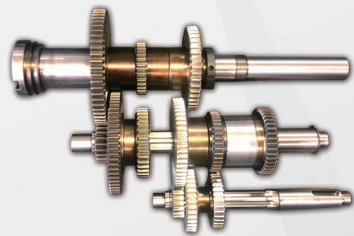
Vertical-Horizontal Milling Machine

YSM-26 SERIES

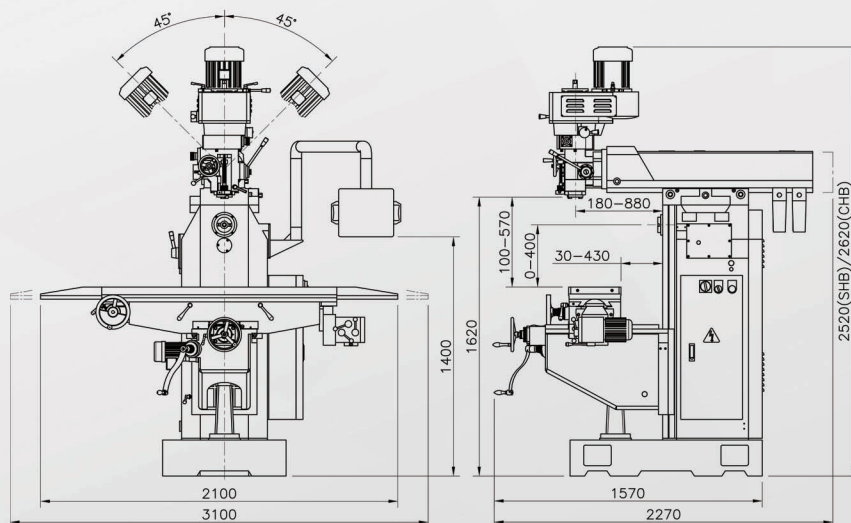


MECHANICAL FEATURE

- The main casting part is made of meehanite casting.
- Milling head type:
 - Steps (SHB) Inverter (CHB)
- The spindle is one piece machined from SCM440 alloysteel, high-frequency and precision polishing.
- X/Y axis are using precision ball screw.



MECHANICAL DIMENSIONS



SPECIFICATONS AND ACCESSORIES

Model	Unit	26SHB	26CHB
Travel			
Longitudinal travel (M./A.)	mm	1000 (Opt.800)	
Cross travel (M./A.)	mm	400	
Vertical travel (M./A.)	mm	470	
Slideway X/Y/Z	type	△ / □ / □	
Quill travel	mm	140	
Overarm travel	mm	700	
Overarm swivel	degree	360	
Quill swivel (R&L)/(F&B)	degree	±45/Fixed	
Table			
Dimension	mm	1370x300 (Opt.1270x300)	
T-slots (WidthxNo.xPitch)	mm	16x3x70	
Spindle			
Milling head	type	10/20 Steps	Inverter
Speed	60Hz	rpm	70-3350(10)
	50Hz	rpm	58-2780(10)
		rpm	58-5560(20)
Vertical feeds	mm/rev	0.04/0.08/0.15	
Main / Horizontal Taper	type	NT40	
Horizontal spindle speed	rpm	60Hz:92-1614 (9 Steps) (Opt.60-1400/Inverter) 50Hz:73-1288 (9 Steps)	
Motor			
Main / Horizontal spindle	HP		
X/Z axis motor	HP	5 (Opt.7.5)	
feedrate		1/2	
X/Y axis speed	mm/min		
Z axis speed	mm/min	30-1300 (9 Setps)	
Machine		345	
Net Weight	kg		

Standard accessories

- Draw bar
- Tool box and tools
- Front finned bellows cover on Y axis
- Back chip cover on Y axis
- Working lamp
- Auto lubrication system
- X axis gear box
- Z Axis Rapid up/down
- Deluxe type operation panel
- Electric box
- Ball scerw (X/Y)
- Horizontal bracket(2pcs/set)
- Horizontal arbor(25.4mm)

Optional accessories

- Power drawbar
- Power feed(Y)
- Servo feed(X/Y)
- Gear box(Y)
- Digital readout (DRO)
- Coolant system(Pump 1/8HP)
- Chip tray



YING SHUN MACHINERY INDUSTRY CO., LTD.

All specification , dimension and design characteristics shown in this catalogue are subject to change without notice.

2200

No.5,Aly.162,Ln.136,Sec.1,Jiahou Rd.,Houli Dist., Taichung City 421,Taiwan(R.O.C.)

TEL:+886-4-25586346

ys@yingshun.com.tw

FAX:+886-4-25586930

https://www.yingshun.com.tw