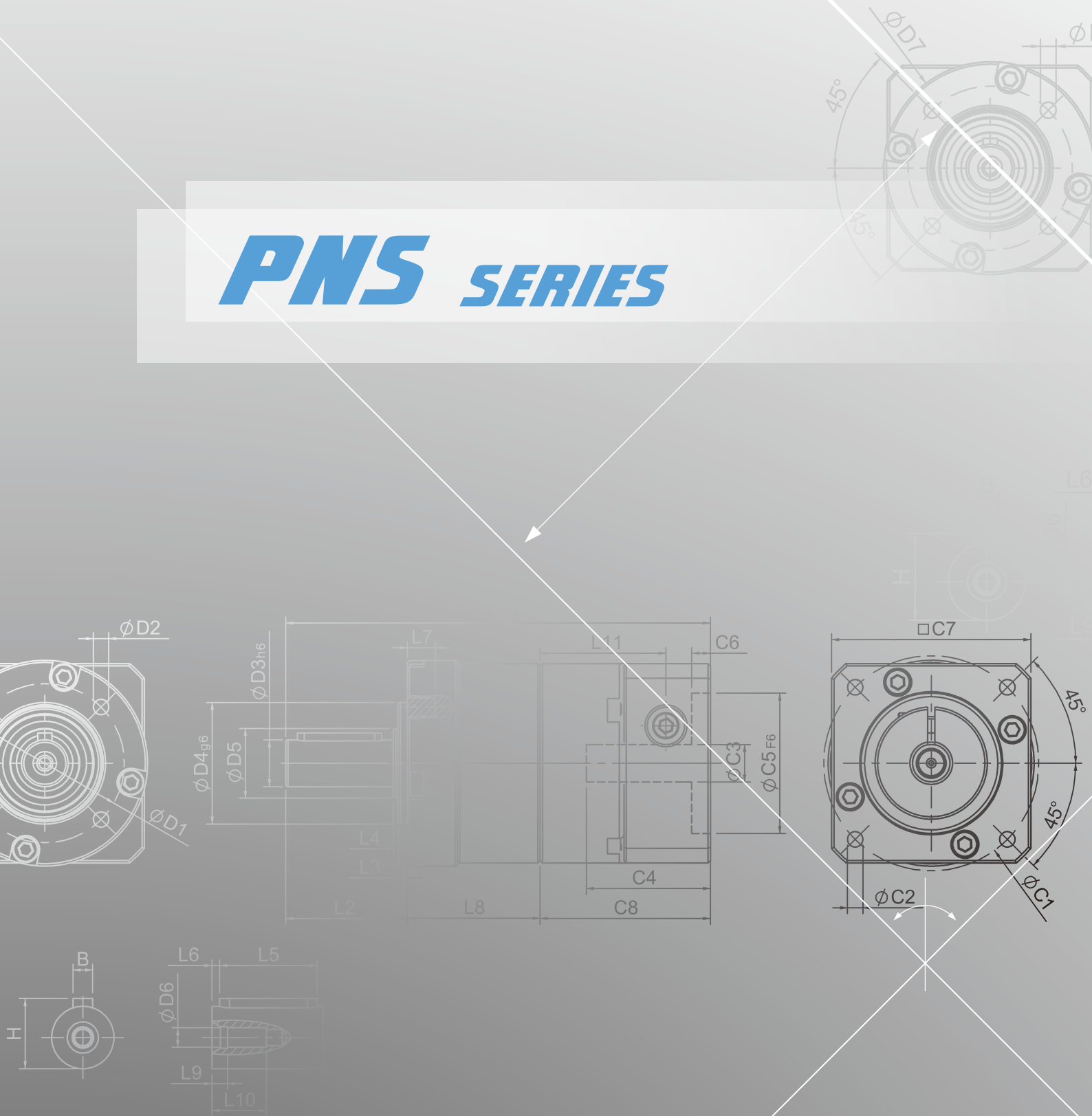
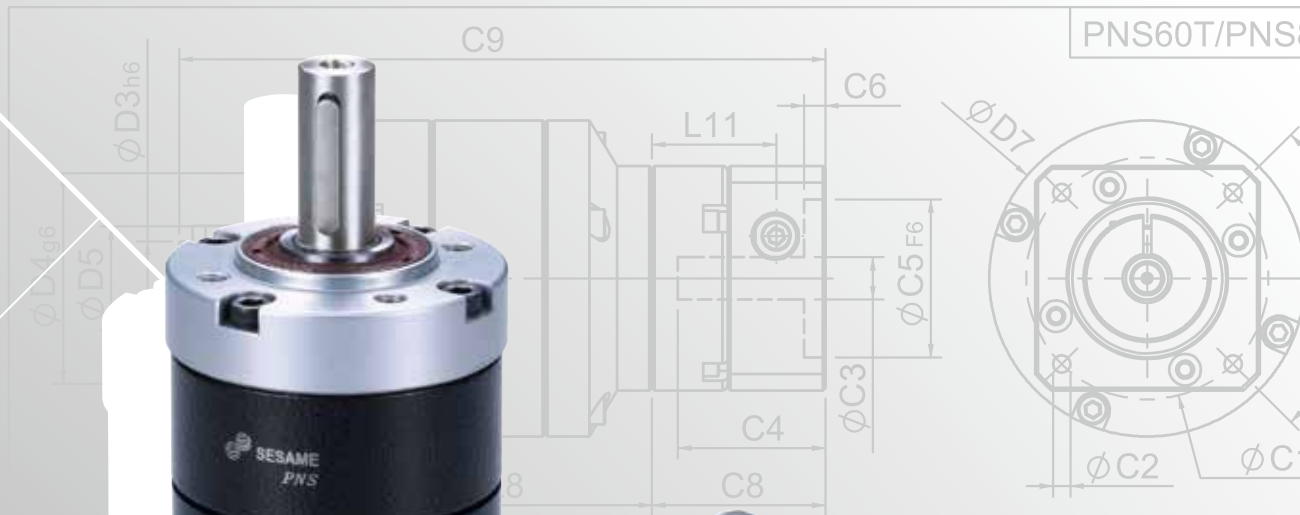
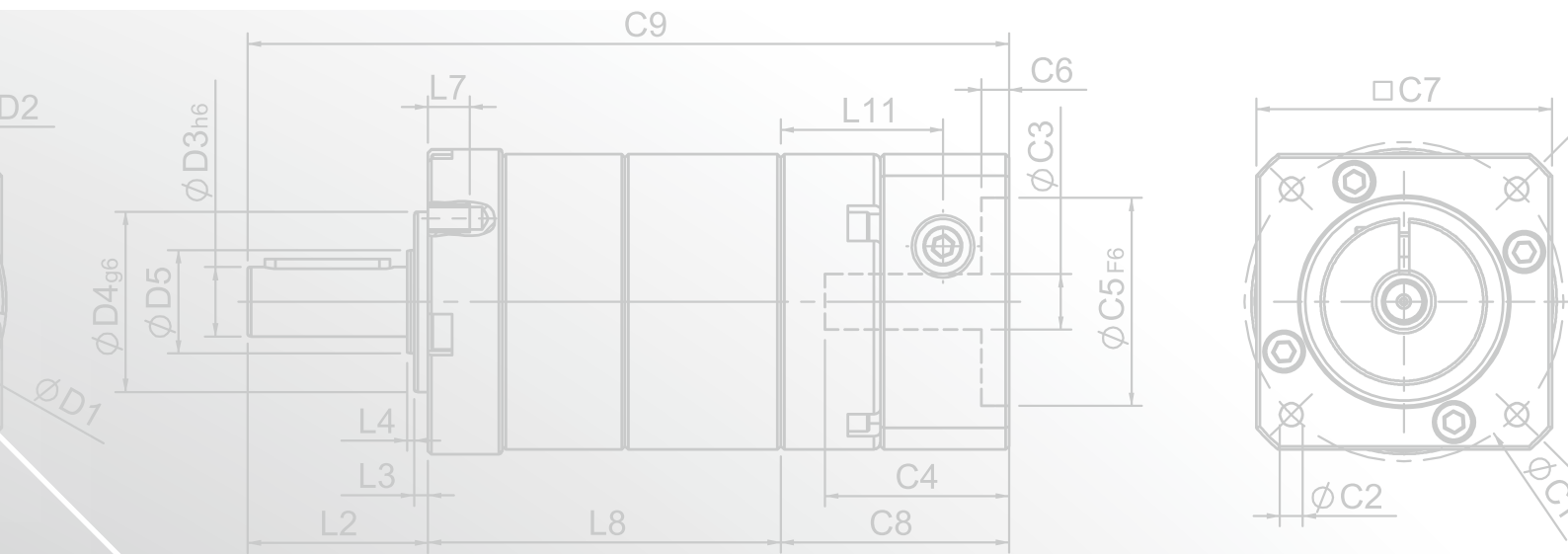


PNS ***SERIES***

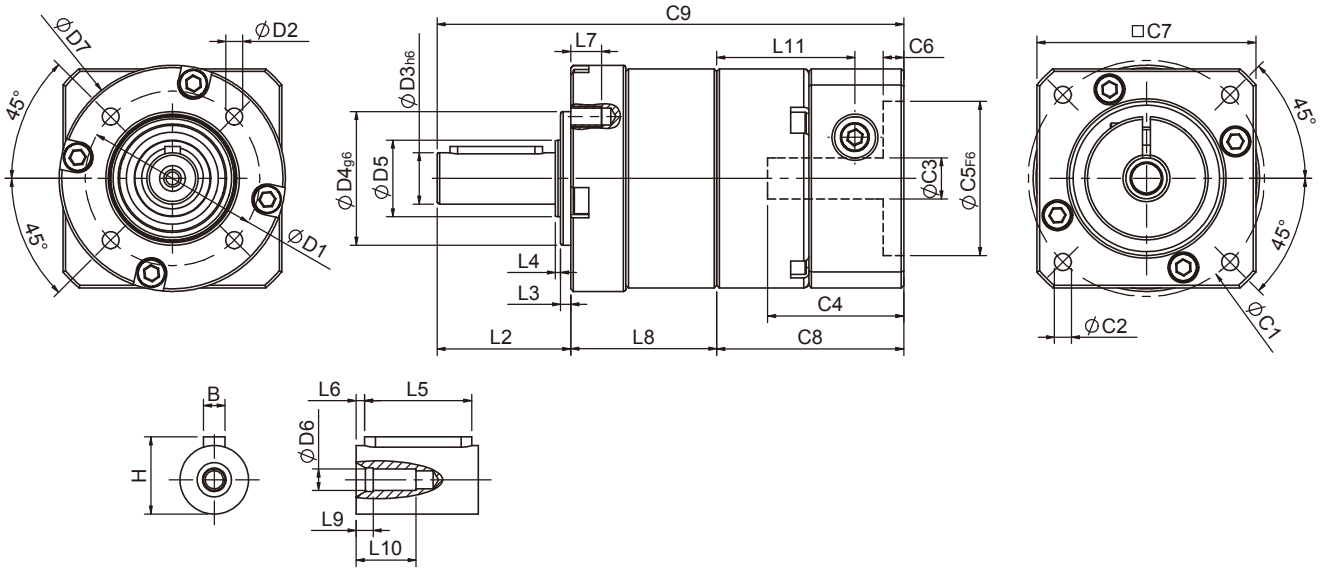




PNS60T/PNS



PNS Single Stage Dimensions PNS單段外型尺寸圖



Specifications 規格

Unit:mm

尺寸 Dimensions	PNS40	PNS60	PNS80	PNS120	PNS160
D1	34	52	70	100	145
D2	M4x0.7P	M5x0.8P	M6x1.0P	M10x1.5P	M12x1.75P
D3 _{h6}	10	14	20	25	40
D4 _{g6}	26	40	60	80	130
D5	15	20	35	40	50
D6	M3x0.5P	M5x0.8P	M6x1.0P	M10x1.5P	M16x2.0P
D7	44	60	90	116	160
L2	26	35	40	55	87
L3	2	3	3	4	5
L4	1	1	1	1	2
L5	18	25	28	40	65
L6	2.5	2.5	4	5	8
L7	6	8	10	15	20
L8	28.4	34.4	42.2	68.8	81
L9	3	4	4.5	6	6
L10	9	16.5	16.5	26	38
L11	26.9	31.6	37.3	51.8	63
C1 ²	46	70	90	145	130
C2 ²	M4x0.7P	M5x0.8P	M6x1.0P	M8x1.25P	M8x1.25P
C3 ²	≤8/≤11	≤14/≤19	≤19/≤24/≤28	≤24/≤32/≤38	≤35/≤38
C4 ²	26.5	33.5	41	51.5	66.5
C5 ² _{f6}	30	50	70	110	110
C6 ²	4	4	6	6	5.5
C7 ²	42.6	60	90	130	140
C8 ²	36.4	42.1	51.5	68	80
C9 ²	90.8	111.5	133.7	191.8	248
B	3	5	6	8	12
H	11.2	16	22.5	28	43

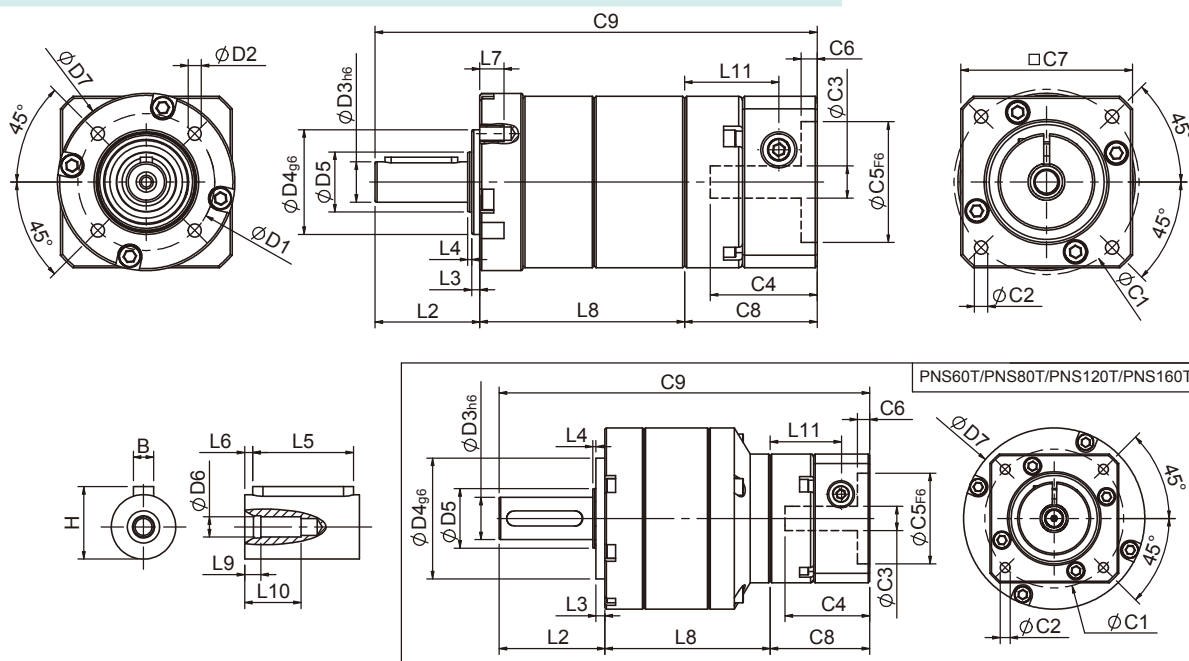
★ C1~C9是公製標準馬達連接板尺寸,請依所選用的馬達決定.

★ 本公司有權針對以上數據規格進行設計變更不先行告知.

★ C1~C9 are motor specific dimensions(metric std shown), Size may vary according to motor flange.

★ Specification subject to change without notice.

PNS Double Stage Dimensions PNS雙段外型尺寸圖



Specifications 規格

Unit:mm

尺寸 Dimensions	PNS40	PNS60	PNS60T	PNS80	PNS80T	PNS120T	PNS160	PNS160T
D1	34	52		70		100	145	
D2	M4x0.7P	M5x0.8P		M6x1.0P		M10x1.5P	M12x1.75P	
D3 _{h6}	10	14		20		25	40	
D4 _{g6}	26	40		60		80	130	
D5	15	20		35		40	50	
D6	M3x0.5P	M5x0.8P		M6x1.0P		M10x1.5P	M16x2.0P	
D7	44	60		90		116	160	
L2	26	35		40		55	87	
L3	2	3		3		4	5	
L4	1	1		1		1	2	
L5	18	25		28		40	65	
L6	2.5	2.5		4		5	8	
L7	6	8		10		15	20	
L8	50.85	61.4	54.7	76	71.5	106.9	142	129
L9	3	4		4.5		6	6	
L10	9	16.5		16.5		26	38	
L11	23.4	31	23.4	37.3	31	37.3	63	42
C1 ²	46	70	46	90	70	90	130	115
C2 ²	M4x0.7P	M5x0.8P	M4x0.7P	M6x1.0P	M5x0.8P	M6x1.0P	M8x1.25P	M8x1.25P
C3 ²	≤8/≤11	≤14/≤19	≤8/≤11	≤19/≤24/≤28	≤14/≤19	≤19/≤24/≤28	≤35/≤38	≤24/≤28
C4 ²	26.5	33.5	26.5	41	33.5	41	66.5	53.5
C5 ² _{F6}	30	50	30	70	50	70	110	95
C6 ²	4	4	4	6	4	6	5.5	5.5
C7 ²	42.6	60	42.6	90	60	90	140	120
C8 ²	32.9	41.5	32.9	51.5	41.5	51.5	80	58
C9 ²	109.75	137.9	122.6	167.5	153	213.4	309	274
B	3	5		6		8	12	
H	11.2	16		22.5		28	43	

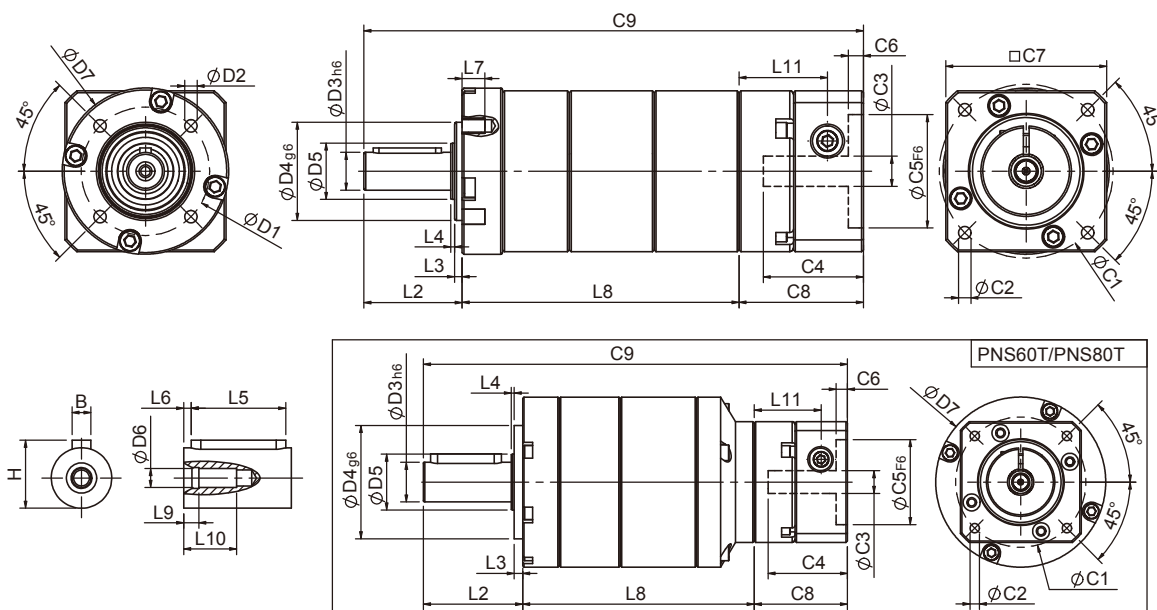
★ C1~C9是公製標準馬達連接板尺寸,請依所選用的馬達決定。

★ 本公司有權針對以上數據規格進行設計變更不先行告知。

★ C1~C9 are motor specific dimensions(metric std shown), Size may vary according to motor flange.

★ Specification subject to change without notice.

PNS Triple Stage Dimensions PNS三段外型尺寸圖-1



Specifications 規格

Unit:mm

尺寸 Dimensions	PNS40	PNS60T	PNS80T
D1	34	52	70
D2	M4x0.7P	M5x0.8P	M6x1.0P
D3 _{h6}	10	14	20
D4 _{g6}	26	40	60
D5	15	20	35
D6	M3x0.5P	M5x0.8P	M6x1.0P
D7	44	60	90
L2	26	35	40
L3	2	3	3
L4	1	1	1
L5	18	25	28
L6	2.5	2.5	4
L7	6	8	10
L8	73.3	81.7	105.3
L9	3	4	4.5
L10	9	16.5	16.5
L11	23.4	23.4	31
C1 ²	46	46	70
C2 ²	M4x0.7P	M4x0.7P	M5x0.8P
C3 ²	≤8/≤11	≤8/≤11	≤14/≤19
C4 ²	26.5	26.5	33.5
C5 ² _{F6}	30	30	50
C6 ²	4	4	4
C7 ²	42.6	42.6	60
C8 ²	32.9	32.9	41.5
C9 ²	132.2	149.6	186.8
B	3	5	6
H	11.2	16	22.5

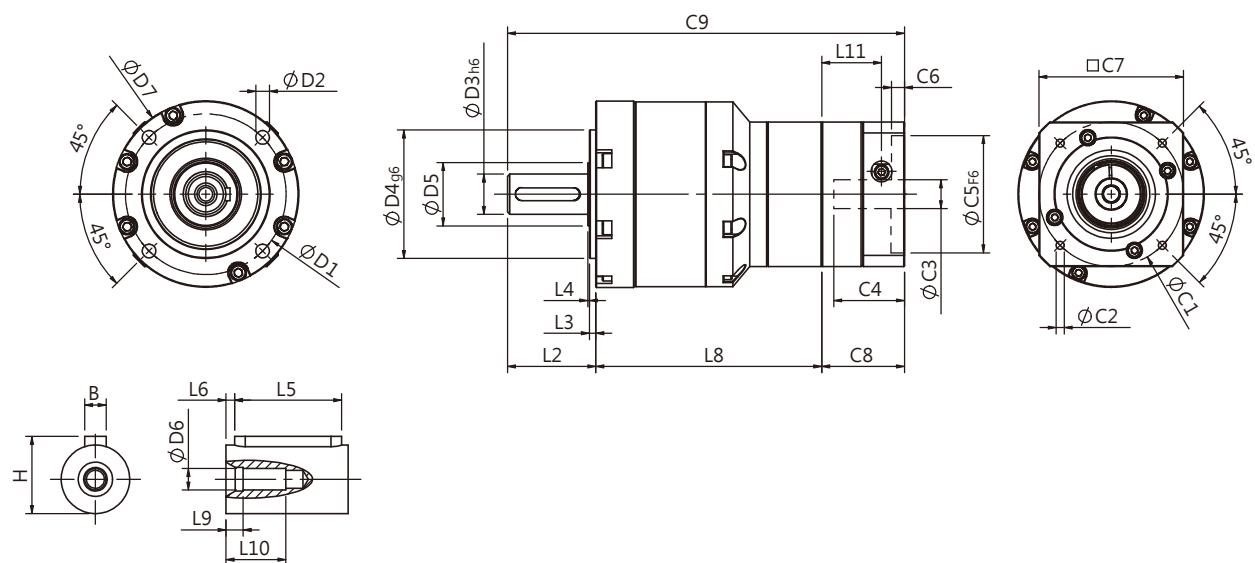
★ C1~C9是公製標準馬達連接板尺寸,請依所選用的馬達決定。

★ 本公司有權針對以上數據規格進行設計變更不先行告知。

★ C1~C9 are motor specific dimensions(metric std shown), Size may vary according to the motor flange chosen.

★ Specification subject to change without notice.

PNS Triple Stage Dimensions-2 PNS三段外型尺寸圖-2



Specifications 規格

Unit:mm

尺寸 Dimensions	PNS120T	PNS160T
D1	100	145
D2	M10x1.5P	M12x1.75P
D3 _{h6}	25	40
D4 _{g6}	80	130
D5	40	50
D6	M10x1.5P	M16x2.0P
D7	116	160
L2	55	87
L3	4	5
L4	1	2
L5	40	65
L6	5	8
L7	15	20
L8	140.7	177
L9	6	6
L10	26	38
L11	37.3	42
C1 ²	90	115
C2 ²	M6x1.0P	M8x1.25P
C3 ²	≤19/≤24/≤28	24/≤28
C4 ²	41	53.5
C5 ² _{F6}	70	95
C6 ²	6	5.5
C7 ²	90	120
C8 ²	51.5	58
C9 ²	247.2	322
B	8	12
H	28	43

★ C1~C9是公製標準馬達連接板尺寸,請依所選用的馬達決定。
 ★ 本公司有權針對以上數據規格進行設計變更不先告知。
 ★ C1~C9 are motor specific dimensions(metric std shown), Size may vary according to the motor flange chosen.
 ★ Specification subject to change without notice.

PNS Specifications Table PNS性能規格共表

規格 Specifications		節數 Stage	減速比 Ratio	PNS-40	PNS-60	PNS-80	PNS-120	PNS-160	
額定輸出力矩 T_{2N} Nominal Output Torque	N · m	1	3	9	28	85	200	420	
			4	10	32	80	215	490	
			5	11	35	95	215	473	
			7	10	28	85	200	400	
			9	8	23	75	195	320	
		10	8	21	65	180	320		
		2	節數 Stage	減速比 Ratio	PNS-40	PNS-60/ PNS-60T	PNS-80/ PNS-80T	PNS-120T	PNS-160/ PNS-160T
			15	11	35/24	95/68	168	420	
			20	11	35/31	95/95	215	490	
			25	11	35/30	95/95	215	473	
			35	11	35/28	95/95	215	473	
			45	11	35/27	95/92	215	473	
			50	(Ratio 49) : 10	35/27	95/82	205	473	
			70	(Ratio 63) : 10	28/28	85/85	200	400	
		90	(Ratio 81) : 8	23/23	75/75	195	320		
		100	8	21/21	65/65	180	320		
		3	節數 Stage	減速比 Ratio	PNS-40	PNS-60T	PNS-80T	PNS-120T	PNS-160T
			125	11	35	95	215	473	
			175	11	35	95	215	473	
			225	11	35	95	215	473	
			245	11	35	95	215	(Ratio 250) : 473	
315	11		35	95	215	(Ratio 350) : 473			
405	11		35	95	215	(Ratio 400) : 473			
567	10		28	85	200	(Ratio 500) : 473			
729	8	23	75	195	(Ratio 700) : 400				
1000	8	21	65	180	320				
急停力矩 T_{2NOT} Emergency Stop Torque	N · m	2.5倍額定輸出力矩(2.5 times of Nominal Output Torque) (* 最大輸出力矩 Max. Output Torque T_{2B} = 60% of Emergency Stop Torque)							
額定輸入轉速 n_{1N} Nominal Input Speed	rpm	1,2,3	3-1000	4000	4000	3000	2500	2500	
最大輸入轉速 n_{1max} Max. Input Speed	rpm	1,2,3	3-1000	6000	6000	6000	5000	4000	
標準背隙 Standard Backlash P2	arcmin	1	3-10	≤ 9	≤ 8	≤ 7	≤ 6	≤ 5	
		2	15-100	≤ 12	≤ 10	≤ 9	≤ 8	≤ 7	
		3	125~1000	≤ 15	≤ 12	≤ 12	≤ 12	≤ 10	
扭轉剛性 Torsional Rigidity	N · m / arcmin	1,2,3	3-1000	1.2	3.5	8.5	17	30	
容許徑向力 F_{2RB}^1 Max. Radial Load	N	1,2,3	3-1000	580	890	2050	4370	6720	
容許軸向力 F_{2aB}^1 Max. Axial Load	N	1,2,3	3-1000	410	430	1100	2630	4200	
使用溫度 Operating Temp.	°C	1,2,3	3-1000	-10°C ~ +90°C					
使用壽命 Service Life	hr	1,2,3	3-1000	20,000(10,000 連續運轉 Continuous operation)					
效率 Efficiency	%	1	3-10	≥ 95%					
		2	15-100	≥ 90%					
		3	125~1000	≥ 85%					
重量 Weight	kg	1	3-10	0.5	1.1	2.8	6.3	15.6	
		2	15-100	0.7	1.5/1.3	4.2/3.1	7.9	20.7/17.2	
		3	125~1000	0.8	1.7	4.5	9.3	22.4	
安裝方向 Mounting Position	-	1,2,3	3-1000	任意方向 Any direction					
噪音值 Noise Level ²	dB(A)/1m	1,2,3	3-1000	60	63	66	67	68	
防護等級 Protection Class	-	1,2,3	3-1000	IP65					
潤滑 Lubrication	-	1,2,3	3-1000	全合成潤滑油脂 Synthetic Lubricant					
減速機轉動慣量 Inertia(J1)									
節數 Stage	減速比 Ratio	單位 unit	PNS-40(ψ8)	PNS-60(ψ14)	PNS-80(ψ19)	PNS-120(ψ24)	PNS-160(ψ35)		
1	3	Kg · cm ²	0.04	0.23	0.77	2.30	7.89		
	4		0.03	0.21	0.67	1.92	5.83		
	5~10		0.03	0.21	0.61	1.71	5.38		
2	15		0.04	0.23/(0.04)	0.77/(0.23)	0.77	5.38/(1.61)		
	其它比數 Other ratios		0.03	0.21/(0.03)	0.61/(0.21)	0.61	5.38/(1.61)		
3	所有比數 All ratios		0.03	0.03	0.21	0.61	1.61		

* 1. 輸出轉速 100rpm 時 · 作用於輸出軸中心位置 · Applied to the output shaft center @100rpm.
* 2. 3000rpm 空載量測 · Measured at 3000 rpm with no load. These values are measured by gearbox with ratio = 10 (1-stage) or ratio = 100 (2-stage) at nominal input speed or 3000 rpm (if nominal input speed is higher than 3000 rpm) with no load.
※本公司有權對以上數據規格逕行設計變更不先行告知 · The above figures/specifications are subject to change without prior notice.

Products due to human error, natural disasters or other factors lead to poor or damaged, will not be covered under warranty.
產品因人為原因或天災等因素導致不良或損壞 · 不在保固範圍內 ·

PLANETARY GEARHEADS



PHL PHFR PHF PGH PUR PUL PUA PGLH PGCH PGEH PGSH PGL PGC PGE SGC SGE PGRH PGR PGFR PGF PBC PBE PAE PAC PAN PGS PNS PGW