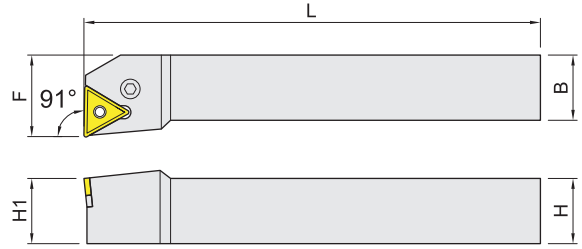


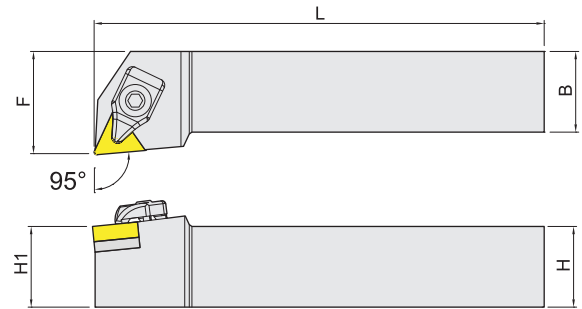
## PTFN



Right-hand shown

Item code	Dimensions,mm				Insert	Lever	Screw	Shim pin	Punch	Shim	Wrench	Weight Kg
	H(H1)	B	L	F								
PTFNR/L-2020K-16	20	20	125	25	TN..1604..	LCL33	LCS3	LSP3	PC0304	TPS322	PL25	0.45
PTFNR/L-2525M-16	25	25	150	32								0.84

## DTJN



Right-hand shown

Item code	Dimensions,mm				Insert	Shim	Screw	Wrench	Clamp	Wrench	Weight Kg
	H(H1)	B	L	F							
DTJNR/L-2020K-16	20	20	125	25	TN..1604..	TWS322	MS4008H	PL25	MCD324B	PL40	0.45
DTJNR/L-2525M-16	25	25	150	32							0.84
DTJNR/L-3232P-16	32	32	170	40							1.51

BORING BARS  
內徑車刀

TOOLHOLDERS  
外徑車刀

THREADING & GROOVING  
牙刀 & 開槽刀

MILLING  
銑刀

BORING TOOLS COMPONENTS  
孔加工

SPARE PARTS  
配件