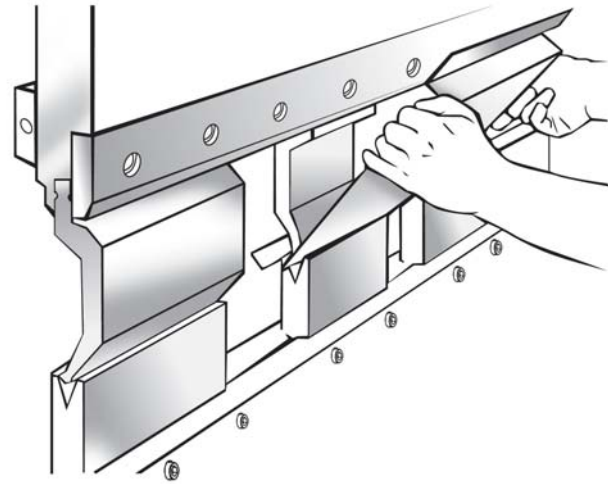




暉俊工業股份有限公司
YEH CHIUN INDUSTRIAL CO., LTD.

YEH CHIUN



公司簡介 Profile

暉俊工業創立於 1984 年，以專業生產精密油壓工具機著稱，在業界建立良好的商譽及口碑。一直以來，暉俊公司戮力於滿足不同客戶的需求，不斷的技術升級，加上數十年來經驗的累積，我們必能實踐『卓越品質，精益求精、提升競爭優勢，永續經營』的經營理念。

Established in 1984, Yeh Chiun industrial co. has built goodwill and earned solid business reputation in sheet metal fabrication industry for engineering high quality hydraulic machines. For decades, Yeh Chiun has determined itself to satisfy many varied customers. With upgrading engineering and our decades manufacturing experience, we can achieve our vision-Pursuit for outstanding quality, continuous improvement. Upgrade competitive advantage, everlasting business.



▲暉俊一廠 Plant I

▼暉俊二廠 Plant II

公司沿革 Milestone

- 1984
公司創立，生產傳統油壓折床
Yeh Chiun was established, and hydraulic press brake production began
- 1987
開發並於翌年正式生產 NC 油壓折床
NC hydraulic press brake was developed, and production began
- 1989
開發並於翌年正式生產 CNC 油壓折床
CNC hydraulic press brake was developed, and production began
- 1993
生產 CNC 四軸油壓折床
Started CNC 4 axes hydraulic press brake production
- 1994
生產 NC 油壓剪床
Started NC hydraulic shear production
- 1994
聯盟合作生產 NC、CNC 冷軋板輥輪成型機
Formed alliance for NC/ CNC metal cold roll forming machine production
- 1996
生產 CNC 五至十一軸高精度油壓折床
CNC hydraulic press brake was upgraded to 5-11 axes, and production began
- 1998
折床正式通過 CE 認證
Hydraulic press brake product qualified for CE standard
- 1999
通過 ISO-9002 認證
Qualified for ISO-9002
- 2002
通過 ISO-9001 認證
Qualified for ISO-9001
- 2004
於中國設立昆山暉俊工業股份有限公司
Founded a plant in Kun Shan, China
- 2004
生產 CNC AC 伺服高精度油壓折床
Started CNC AC servo press brake
- 2005
生產自動化油壓剪床生產線
Started automatic hydraulic shear production line production
- 2011
全系列產品通過 CE 認證
Obtained CE certificates for whole product line
- 2013
擴大產能，擴設暉俊新二廠
Due to expansion, founded the new Yeh Chiun plant II



暉俊工業股份有限公司
YEH CHIUN INDUSTRIAL CO., LTD.

E-mail:sales@yehchiun.com <http://www.yehchiun.com>

暉俊一廠·台中市41463烏日區福泰街75號
OFFICE1: NO.75, FU TAI ST., WURI DIST., TAICHUNG CITY
41463, TAIWAN (R.O.C.)

TEL: +886-4-23352579 FAX: +886-4-23352773

暉俊二廠·台中市41468烏日區太明路成豐巷42之8號
OFFICE2: NO.42-8, CHENG FENG LN., TAIMING RD., WURI DIST.,
TAICHUNG CITY 41468, TAIWAN (R.O.C.)

TEL: +886-4-23354705 FAX: +886-4-23352868

*High Quality Machine
For Sheet Metal Fabrication*



專業製造：NC CNC 油壓折床·EPB 電機伺服折床·剪床·沖床·
成型機·自動化機電系統整合設備

NC CNC Hydraulic Press Brake, EPB AC Servo Press Brake, Shear, Press,
Forming Machine And Automatic Mechanical Integrated System Professional

產品系列 Products



油壓折床 YCN系列
HYDRAULIC PRESS BRAKE YCN SERIES



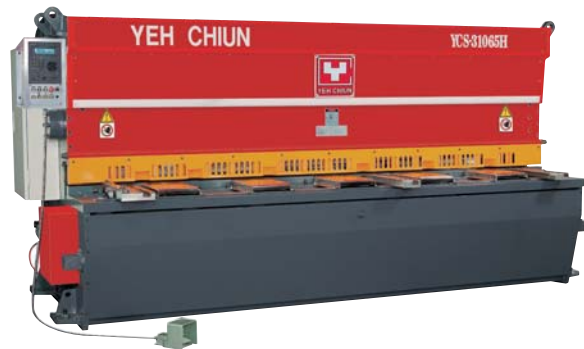
油壓深絞成型機 YCT系列
HYDRAULIC STRAIGHT-SIDE PRESS YCT SERIES



油壓合模機 YCT-DS系列
HYDRAULIC DIE-SPOTTING PRESS YCT-DS SERIES



油壓彎板機 YCL系列
HYDRAULIC FOLDING MACHINE YCL SERIES



油壓剪床 YCS系列
HYDRAULIC SHEAR YCS SERIES



油壓沖床 YCT- C系列
HYDRAULIC PRESS YCT-C SERIES



刨V槽專用機 YCV系列
V PLANER YCV SERIES



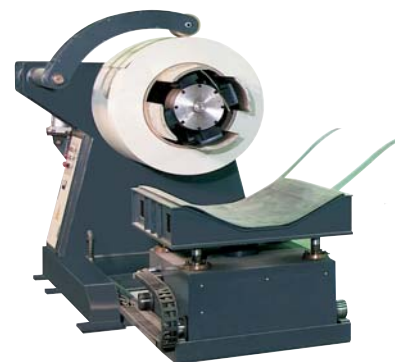
萬能油壓折床 YCU系列
UNIVERSAL HYDRAULIC PRESS BRAKE YCU SERIES



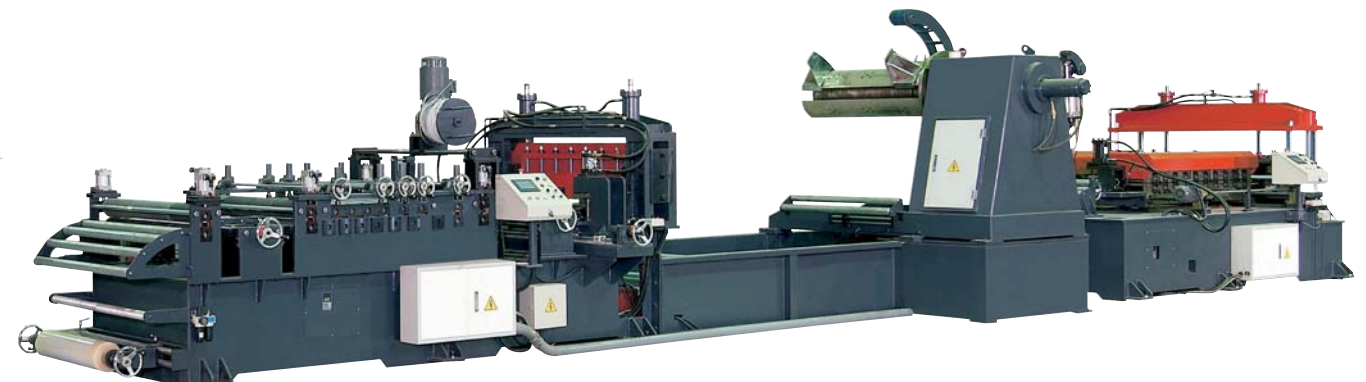
油壓切角機 YCE系列
HYDRAULIC NOTCHING MACHINE YCE SERIES



電機伺服馬達折床 EPB系列
AC SERVO PRESS BRAKE EPB SERIES



金屬板冷軋輥輪成型機
METAL COLD ROLL FORMING MACHINE



欲知更多產品資訊，請參閱目錄或瀏覽我司網站：www.yehchiun.com
For further product details, please check our catalogues or website:www.yehchiun.com