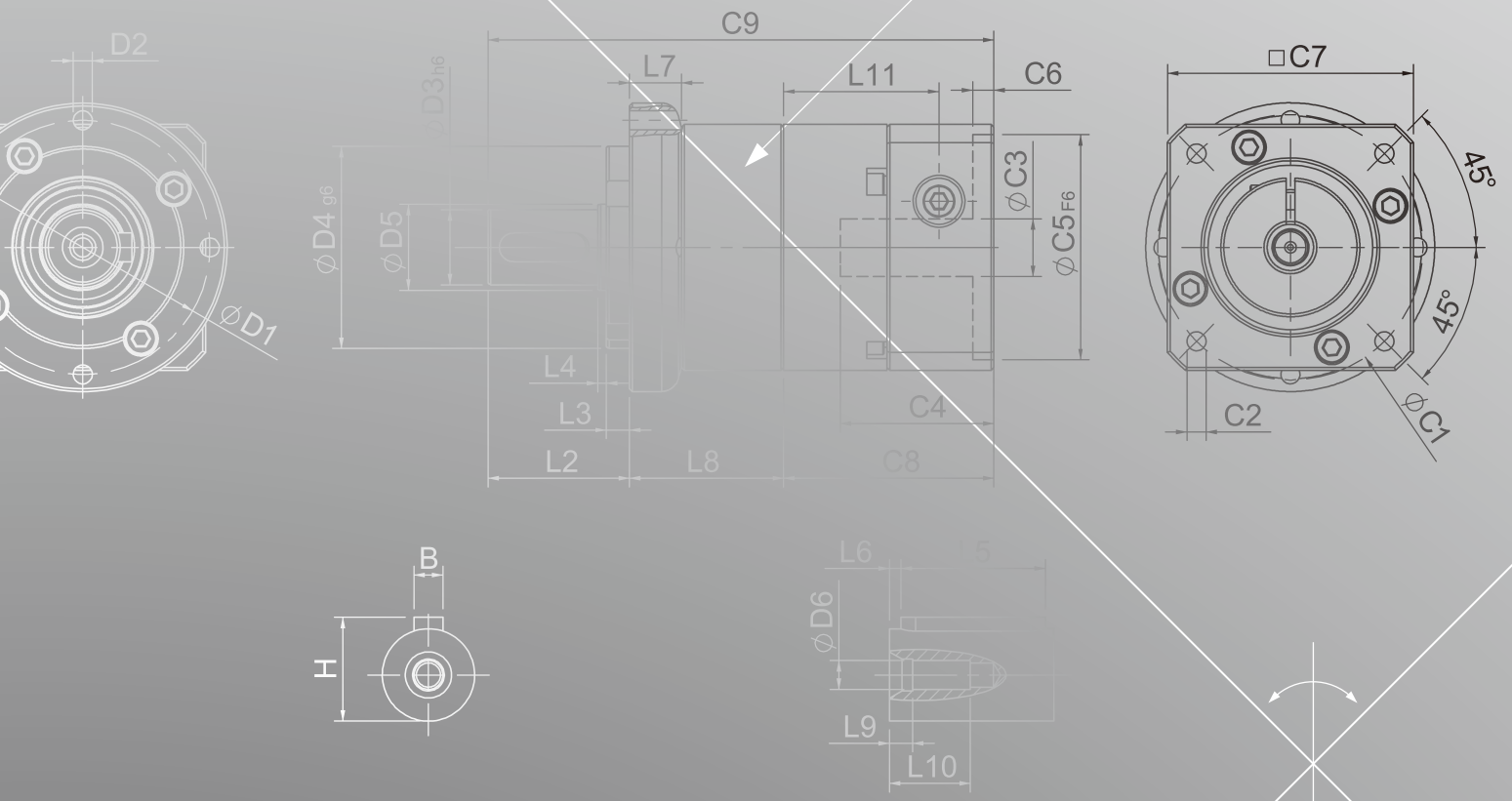
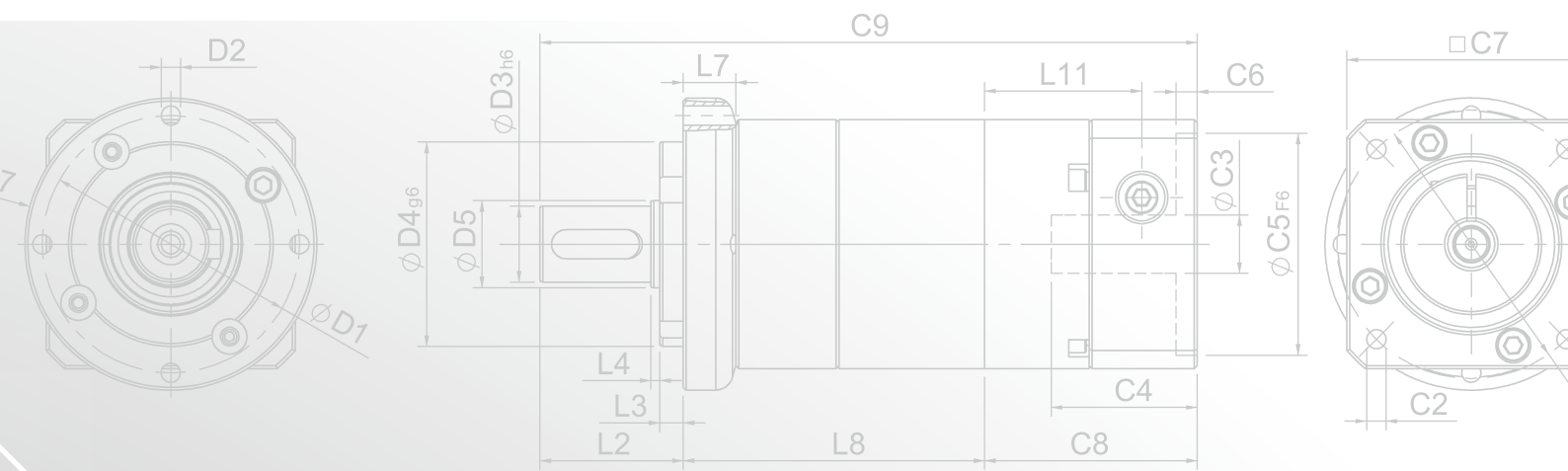
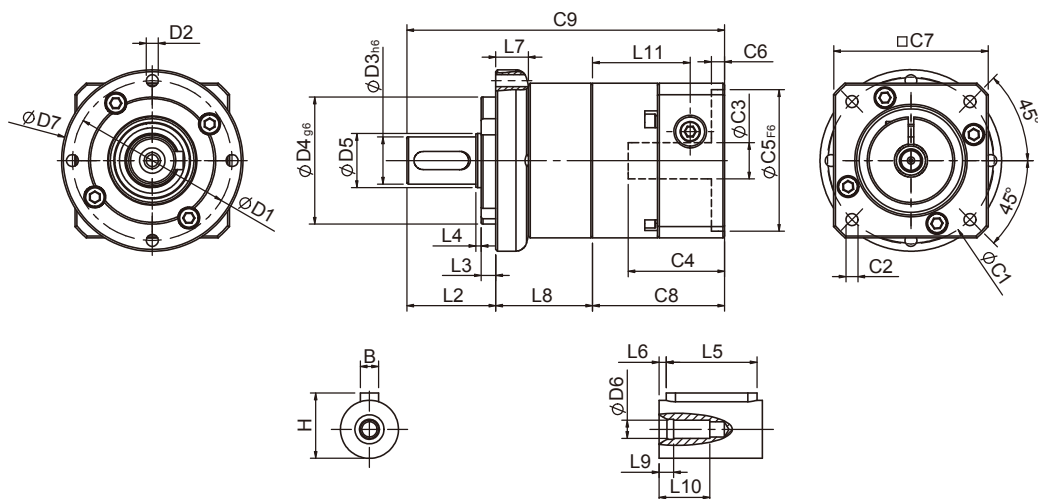


PAC SERIES





PAC單段外型尺寸圖 PAC Single Stage Dimensions



Specifications 規格

Unit:mm

尺寸 Dimensions	PAC50	PAC70	PAC90	PAC120
D1	44	62	80	108
D2	M4x0.7P	M5x0.8P	M6x1.0P	M8x1.25P
D3 _{h6}	12	16	22	32
D4 _{g6}	35	52	68	90
D5	15	20	35	45
D6	M4x0.7P	M5x0.8P	M8x1.25P	M12x1.75P
D7	50	70	90	120
L2	24.5	36	46	60
L3	4	6	7	7
L4	1.5	1.5	2.5	2
L5	15	25	32	40
L6	2	2	3	5
L7	8.8	13.3	14	15
L8	26.5	37.3	43.8	65.3
L9	4	4	4.5	6
L10	14	16.5	20.5	30
L11	26.9	34.3	41.5	51.5
C1 ²	46	70	90	145
C2 ²	M4x0.7P	M5x0.8P	M6x1.0P	M8x1.25P
C3 ²	≤8/≤11	≤14/≤19	≤19/≤24/≤28	≤24/≤32/≤38
C4 ²	26.5	33.5	41	51.5
C5 ² _{F6}	30	50	70	40
C6 ²	4	4	6	6
C7 ²	42.6	60	90	130
C8 ²	36.4	44.8	55.8	68
C9 ²	87.4	118.1	145.6	193.3
B	4	5	6	10
H	13.5	18	24.5	35

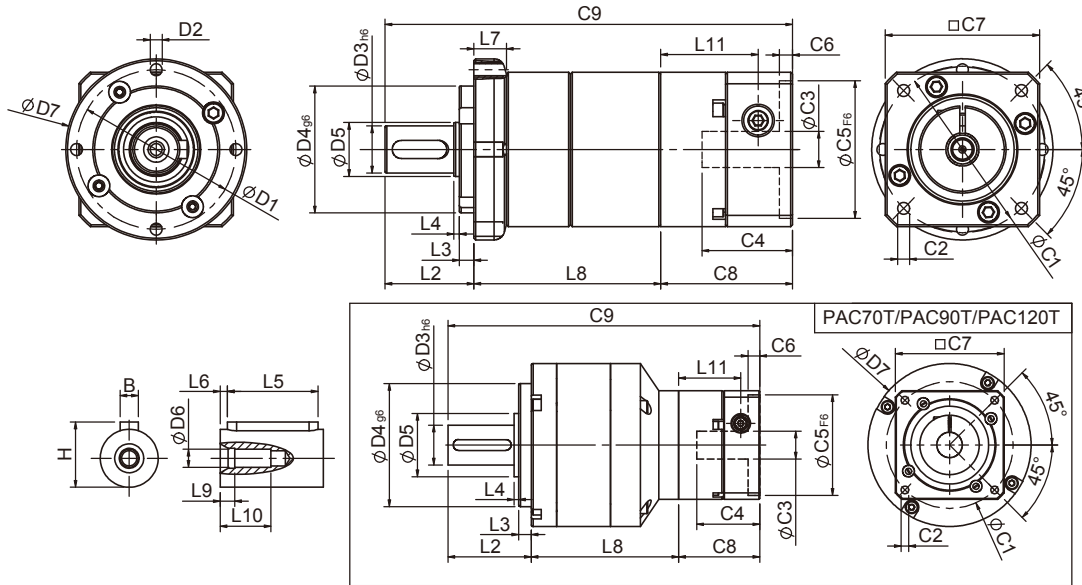
★ C1~C9是公製標準馬達連接板尺寸,請依所選用的馬達決定。

★ 本公司有權針對以上數據規格逕行設計變更不先行告知。

★ C1~C9 are motor specific dimensions(metric std shown), Size may vary according to motor flange.

★ Specification subject to change without notice.

PAC雙段外型尺寸圖 PAC Double Stage Dimensions



Specifications 規格

Unit:mm

尺寸 Dimensions	PAC50	PAC70	PAC70T	PAC90	PAC90T	PAC120T
D1	44	62		80		108
D2	M4x0.7P	M5x0.8P		M6x1.0P		M8x1.25P
D3 _{h6}	12	16		22		32
D4 _{g6}	35	52		68		90
D5	15	20		35		45
D6	M4x0.7P	M5x0.8P		M8x1.25P		M12x1.75P
D7	50	70		90		120
L2	24.5	36		46		60
L3	4	6		7		7
L4	1.5	1.5		2.5		2
L5	15	25		32		40
L6	2	2		3		5
L7	8.8	13.3		14		15
L8	51.4	68	63.6	84.8	74.3	103.4
L9	4	4		4.5		6
L10	14	16.5		20.5		30
L11	26.9	34.3	26.9	41.5	34.3	41.5
C1 ²	46	70		90	70	90
C2 ²	M4x0.7P	M5x0.8P	M4x0.7P	M6x1.0P	M5x0.8P	M8x1.25P
C3 ²	≤8/≤11	≤14/≤19	≤8/≤11	≤19/≤24/≤28	≤14/≤19	≤19/≤24/≤28
C4 ²	26.5	33.5	26.5	41	33.5	41
C5 ² _{F6}	30	50	30	70	50	70
C6 ²	4	4	4	6	4	6
C7 ²	42.6	60	42.6	90	60	90
C8 ²	36.4	44.8	36.4	55.8	44.8	55.8
C9 ²	112.3	148.8	136	186.6	165.1	219.2
B	4	5		6		10
H	13.5	18		24.5		35

★ C1~C9是公製標準馬達連接板尺寸,請依所選用的馬達決定.

★ 本公司有權針對以上數據規格運行設計變更不先行告知.

★ C1~C9 are motor specific dimensions(metric std shown), Size may vary according to motor flange.

★ Specification subject to change without notice.

PAC Specifications Table PAC性能規格共表

規格 Specifications		節數 Stage	減速比 Ratio	PAC-50	PAC-70	PAC-90	PAC-120		
額定輸出力矩 T_{2N} Nominal Output Torque	N · m	1	3	9	28	85	210		
			4	10	32	80	240		
			5	11	35	95	260		
			7	10	28	85	220		
			9	8	23	75	210		
				10	8	21	65	190	
				節數 Stage	減速比 Ratio	PAC-50	PAC-70/ PAC-70T	PAC-90/ PAC-90T	PAC-120T
				2	15	11	34	90	230
					20	10	32	80	240
					25	11	35	95	260
					30	-	-	-	260
					35	11	35	95	260
					40	-	-	-	260
					45	11	35	95	260
					49	10	-	-	-
		50	-		35	95	260		
		63	10	-	-	-			
		70	-	28	85	220			
		100	8	21	65	190			
急停力矩 T_{2NOT} Emergency Stop Torque	N · m	3.0 倍額定輸出力矩 (3.0 times of Nominal Output Torque) (* 最大輸出力矩 Max. Output Torque T_{2B} = 60% of Emergency Stop Torque)							
額定輸入轉速 n_{1N} Nominal Input Speed	rpm	1,2	3-100	4000	4000	3000	2500		
最大輸入轉速 n_{1max} Max. Input Speed	rpm	1,2	3-100	8000	6000	6000	5000		
標準背隙 Standard Backlash P2	arcmin	1	3-10	≤ 9	≤ 8	≤ 7	≤ 6		
		2	15-100	≤ 12	≤ 10	≤ 9	≤ 8		
扭轉剛性 Torsional Rigidity	N · m /arcmin	1,2	3-100	1.5	4.0	8.5	17		
容許徑向力 F_{2rB}^1 Max. Radial Load	N	1,2	3-100	760	1250	2030	4200		
容許軸向力 F_{2aB}^1 Max. Axial Load	N	1,2	3-100	410	700	1200	2600		
使用溫度 Operating Temp.	°C		3-100	-10°C ~ +90°C					
使用壽命 Service Life	hr		3-100	20,000 (10,000/ 連續運轉 Continuous operation)					
效率 Efficiency	%	1	3-10	≥ 95%					
		2	15-100	≥ 90%					
重量 Weight	kg	1	3-10	0.6	1.3	3.2	7.5		
		2	15-100	0.8	1.8/1.6	4.8/3.7	9.2		
安裝方向 Mounting Position	-	1,2	3-100	任意方向 Any direction					
噪音值 Noise Level ²	dB(A)/1m	1,2	3-100	61	63	66	67		
防護等級 Protection Class	-	1,2	3-100	IP65					
潤滑 Lubrication	-	1,2	3-100	全合成潤滑油脂 Synthetic Lubricant					
減速機轉動慣量 Inertia(J1)									
節數 Stage	減速比 Ratio	單位 unit	PAC-50(ψ8)	PAC-70(ψ14)	PAC-90(ψ19)	PAC-120(ψ24)			
1	3	Kg · cm ²	0.04	0.23	0.77	2.30			
	4		0.03	0.21	0.67	1.92			
	5		0.03	0.21	0.61	1.71			
	7		0.03	0.21	0.60	1.65			
	9/10		0.03	0.21	0.60	1.63			
節數 Stage	減速比 Ratio		PAC-50(ψ8)	PAC-70(ψ14)/ PAC-70T(ψ8)	PAC-90(ψ19)/ PAC-90T(ψ14)	PAC-120T (ψ19)			
2	15/20/25		0.03	0.21(0.03)	0.61(0.21)	0.61			
	30/35/49	0.03	0.21(0.03)	0.60(0.21)	0.60				
	40/45/50/63/70/100	0.03	0.21(0.03)	0.60(0.21)	0.60				

* 1. 輸出轉速 100rpm 時，作用於輸出軸中心位置。Applied to the output shaft center @100rpm.

* 2. 3000rpm 空載量測。Measured at 3000 rpm with no load. These values are measured by gearbox with ratio = 10 (1-stage) or ratio = 100 (2-stage) at nominal input speed or 3000 rpm (if nominal input speed is higher than 3000 rpm) with no load.

※本公司有權對以上數據規格逕行設計變更不先行告知。The above figures/specifications are subject to change without prior notice.

Products due to human error, natural disasters or other factors lead to poor or damaged, will not be covered under warranty.

產品因人為原因或天災等因素導致不良或損壞，不在保固範圍內。