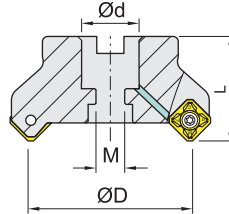
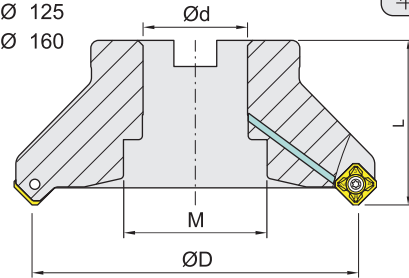


Ø 50
Ø 63
Ø 80

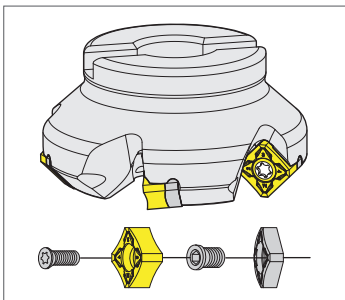


Ø 100
Ø 125
Ø 160



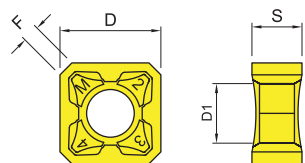
Metric

Item code	Dimensions,mm				Teeth	Insert	Spare parts	Weight Kg
	D	d	L	M				
水孔Coolant								
SNF445R-05004-A22.0T	50	22.0	40	11	4	SN..1205..	①	0.57
SNF445R-05005-A22.0T	50	22.0	40	11	5			0.55
SNF445R-06305-A22.0T	63	22.0	40	11	5			0.78
SNF445R-06306-A22.0T	63	22.0	40	11	6			0.75
SNF445R-08006-A27.0T	80	27.0	50	13	6			1.39
SNF445R-08007-A27.0T	80	27.0	50	13	7			1.37
SNF445R-08008-A27.0T	80	27.0	50	13	8			1.34
SNF445R-10007-A32.0T	100	32.0	50	45	7			1.76
SNF445R-10008-A32.0T	100	32.0	50	45	8			1.75
SNF445R-10009-A32.0T	100	32.0	50	45	9			1.72
SNF445R-12510-A40.0T	125	40.0	63	53	10			3.08
SNF445R-16012-A40.0T	160	40.0	63	55	12			4.55



Spare parts	Shim	Screw	Wrench	Screw	Wrench
①	SNS445A	MDS06040	PL40	MS4014M	ETF15

被切削材 Workpiece material	Steel 鋼	P	●	
	Stainless steel 不銹鋼	M	●	
	Cast iron 鑄鐵	K	●	●
	Non-ferrous metal 非鐵金屬	N		

Insert Shape	Description	GRADE 材質		Dimensions,mm			
		Coated 塗層		D	F	S	Re
		UW913	UV361				
	SNHX1205EMMNF	●		12.7	1.5	6.35	6.0
	SNHX1205TXMNF		●				
	SNMX1205RGNF						