

5 AXIS VISE SERIES

SAFEWAY VISE TECHNOLOGY



Best aid

SAFEWAY

FAS 5軸精密虎鉗

FAS 5-AXIS MACHINE VISE

Very good quality Vise



ISO9001



FAS-100Q
Mechanical Power / 機械增壓



FAS-100Q
Mechanical Power / 機械增壓



FAS-100C Mechanical / 螺桿夾緊



FAS-100C Mechanical / 螺桿夾緊



FAS-100B
Self-centering / 雙向求中心



FAS-100B
Self-centering / 雙向求中心

特性：

1. 精巧長度最適合5軸綜合切削加工機使用。
2. 夾緊系統依夾緊力及功能有3種型式選用：
FAS-100Q, 倍力式/機械增壓
FAS-100C, 螺桿夾緊
FAS-100B, 螺桿夾緊/雙向求中心
3. 口金設計成動平衡原理，並在口金上設計有多種千鳥爪，以應付各種工件形式及困難夾持工件所需。
4. 對於異型、圓形、橢圓形、矩形、不規則曲面斜面、斷差面及困難夾持之歪斜工件皆可利用活動口金上之動平衡機構及不同型式千鳥爪完成夾持。
5. 虎鉗本台滑動面均經硬化處理，HRC45°以上可保持長久耐磨性及精度。

Features：

1. Compact in total length and particularly be suitable for 5-axis machining center.
2. Clamping system:
FAS-100Q-Mechanical Power-Transfer device
FAS-100C-Lead screw
FAS-100B-Lead screw-Self centering
3. Jaw is designed for balance mechanism, and there are many kinds of gripper onto the jaw in order to suit the requirement for various workpiece, especially for difficult clamping shapes.
4. Despite irregular, round, elliptic, rectangular, irregular-curved, step workpieces and slanting workpiece of difficult clamping shapes that can all be used for the balance mechanism of movable jaws and for different shapes of grippers to perform well-done in clamping.
5. Vise bed frame hardened to HRC45° and up takes up wear and maintain accuracy for long.





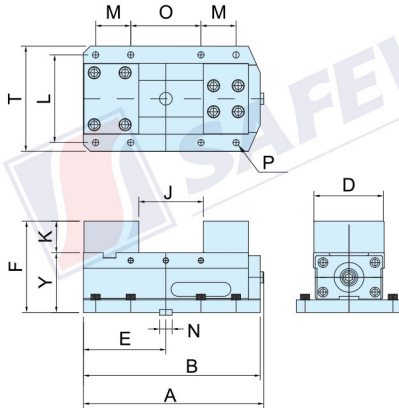
SAFEWAY

FAS-100Q

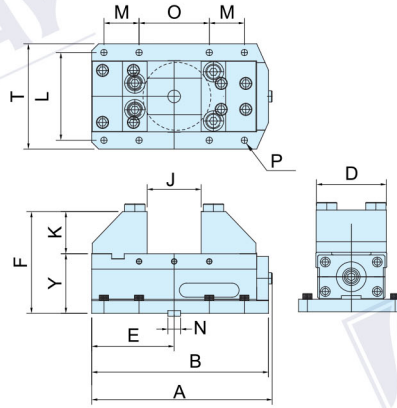
MOST SUITABLE FOR 5-AXIS MACHINE CENTER
最適合5軸綜合切削加工機使用

FAS 5-AXIS POWER
FAS 5軸型 / 倍力型

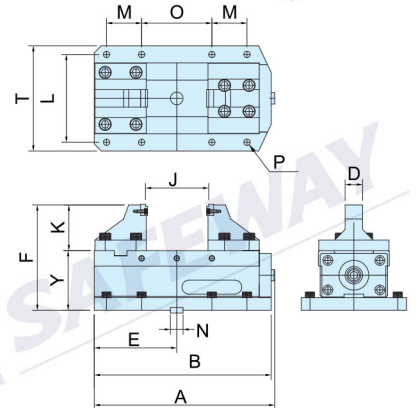
10602100 FAS-100Q-MX



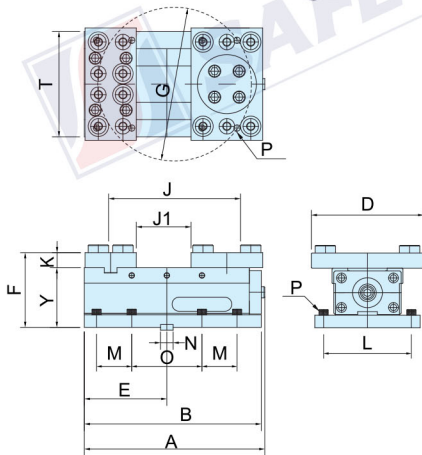
10604100 FAS-100Q-MN



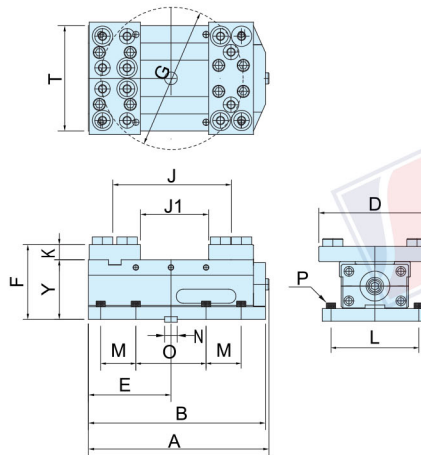
10606100 FAS-100Q-MG



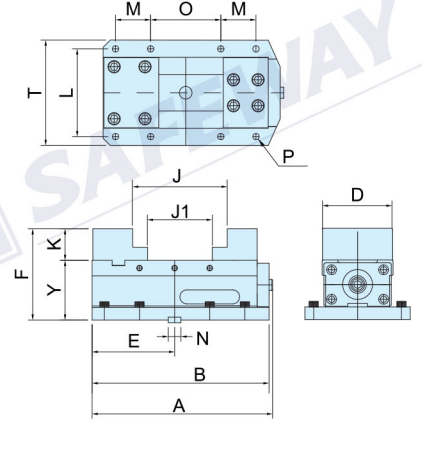
10608100 FAS-100Q-FB



10610100 FAS-100Q-FM



10612100 FAS-100Q-SJ



標準附件：1. 把手一組
2. 導正鍵 x2只, 螺絲 x2只(M6 x 10L)

Standard Accessories: 1. Handle x 1 pc
2. Guide key x 2 pcs, Cap screw x 2 pcs (M6 x 10L)

Unit: mm

Order No. 訂購編號	Model 型號	A	B	D	E	F	J	J1	G	K	Y	N	T	L	M	O	P	Limit Pressure 最大夾緊力	N.W 淨重	G.W 毛重	Remarks 備註
10602100	FAS-100Q-MX	257	252	100	117.5	130	0-90			45	85	18	150	125	50	100	M8	40 KN (3920 kgf)	18.5	19.5	
10604100	FAS-100Q-MN	257	252	100	117.5	145	0-75			60	85	18	150	125	50	100	M8	40 KN (3920 kgf)	19.0	20.5	
10606100	FAS-100Q-MG	257	252	25	117.5	150	0-90			65	85	18	150	125	50	100	M8	40 KN (3920 kgf)	16.5	17.5	
10608100	FAS-100Q-FB	257	252	160	117.5	107	185	85	215	22	85	18	150	125	50	100	M8	40 KN (3920 kgf)	18.0	19.5	
10610100	FAS-100Q-FM	257	252	160	117.5	107	165	100	200	22	85	18	150	125	50	100	M8	40 KN (3920 kgf)	17.0	18.5	
10612100	FAS-100Q-SJ	257	252	100	117.5	130	0-145	0-90		45	85	18	150	125	50	100	M8	40 KN (3920 kgf)	17.0	18.0	



SAFEWAY

FAS-100Q

FAS 5-AXIS POWER VISE
FAS 5軸精密機械增壓虎鉗

FAS 5-AXIS POWER
FAS 5軸型 / 倍力型



千鳥爪整組 (特殊附件) (適用薄物動平衡口金, 薄物固定口金, 薄物活動口金)

GRIPPER SETS (OPTIONAL ACCESSORIES)

MODEL ● FB-1000 (FB-511F,511R,519F,519R,524F,524R, 511FR,550HR,550SF,550SR,525HF, 525HR,550HF) × 4 pcs





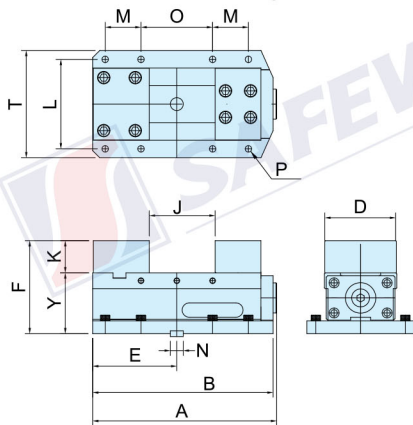
SAFEWAY

FAS-100C

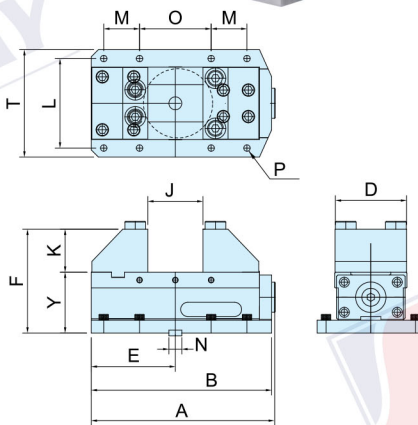
MOST SUITABLE FOR 5-AXIS MACHINE CENTER
最適合5軸綜合切削加工機使用

FAS 5-AXIS MECHANICAL
FAS 5軸型 / 機械型

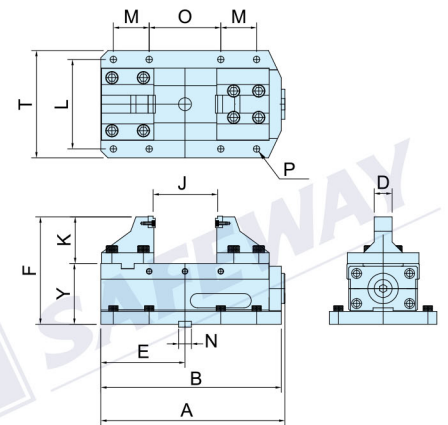
10622100 FAS-100C-MX



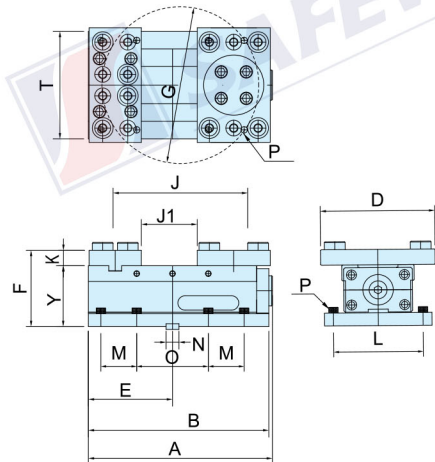
10624100 FAS-100C-MN



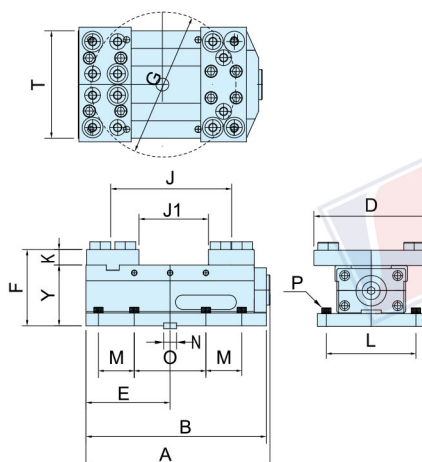
10626100 FAS-100C-MG



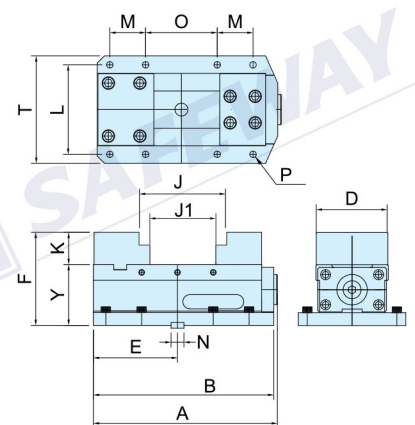
10628100 FAS-100C-FB



10630100 FAS-100C-FM



10632100 FAS-100C-SJ



標準附件：1. 把手一組
2. 導正鍵 x2只，螺絲 x2只(M6 x 10L)

Standard Accessories: 1. Handle x 1 pc
2. Guide key x 2 pcs, Cap screw x 2 pcs (M6 x 10L)

Unit: mm

Order No. 訂購編號	Model 型號	A	B	D	E	F	J	J1	G	K	Y	N	T	L	M	O	P	Shipment Size 裝箱尺寸	N.W 淨重	G.W 毛重	Remarks 備註
10622100	FAS-100C-MX	262	252	100	117.5	130	0-90			45	85	18	150	125	50	100	M8	18.0	19.0		
10624100	FAS-100C-MN	262	252	100	117.5	145	0-75			60	85	18	150	125	50	100	M8	19.0	20.0		
10626100	FAS-100C-MG	262	252	25	117.5	150	0-90			65	85	18	150	125	50	100	M8	15.0	16.0		
10628100	FAS-100C-FB	262	252	160	117.5	107	185	85	215	22	85	18	150	125	50	100	M8	18.0	19.0		
10630100	FAS-100C-FM	262	252	160	117.5	107	165	100	200	22	85	18	150	125	50	100	M8	16.0	17.0		
10632100	FAS-100C-SJ	262	252	100	117.5	130	0-145	0-90		45	85	18	150	125	50	100	M8	17.0	18.0		



SAFEWAY

FAS-100C

FAS 5-AXIS MACHINE VISE
FAS 5軸精密機械虎鉗

FAS 5-AXIS MECHANICAL
FAS 5軸型 / 機械型



千鳥爪整組 (特殊附件) (適用薄物動平衡口金, 薄物固定口金, 薄物活動口金)

GRIPPER SETS (OPTIONAL ACCESSORIES)

MODEL ● FB-1000 (FB-511F,511R,519F,519R,524F,524R, 511FR,550HR,550SF,550SR,525HF, 525HR,550HF) × 4 pcs





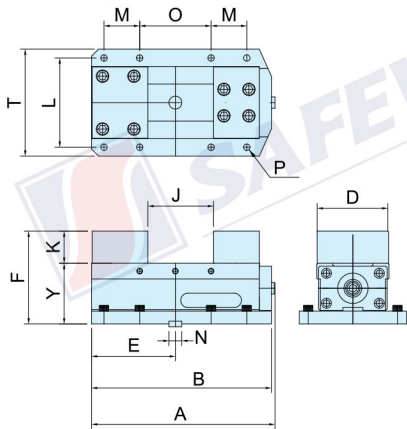
SAFEWAY

FAS-100B

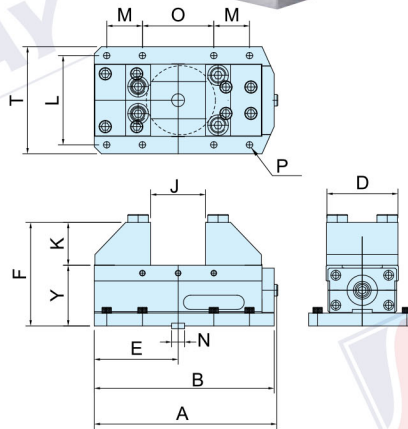
MOST SUITABLE FOR 5-AXIS MACHINE CENTER
最適合5軸綜合切削加工機使用

FAS 5-AXIS SELF-CENTERING
FAS 5軸型 / 求心型

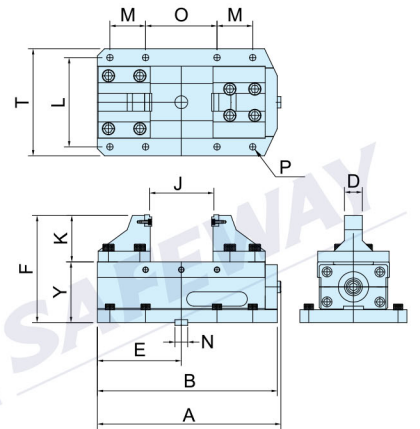
10642100 FAS-100B-MX



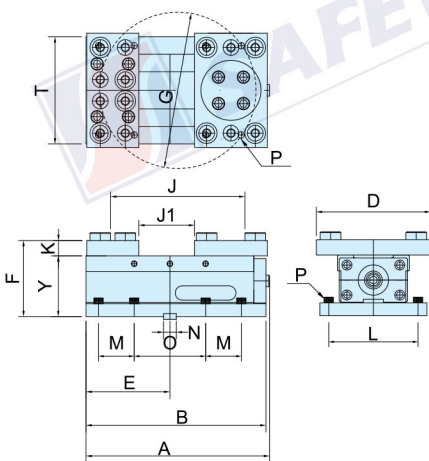
10644100 FAS-100B-MN



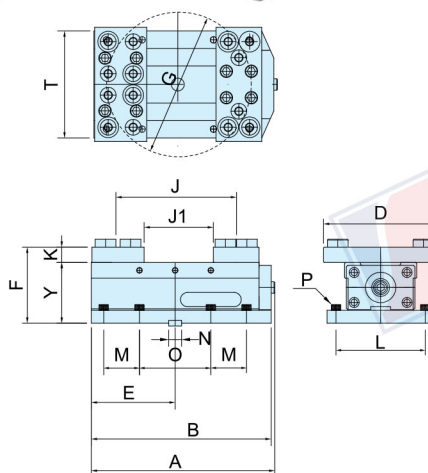
10646100 FAS-100B-MG



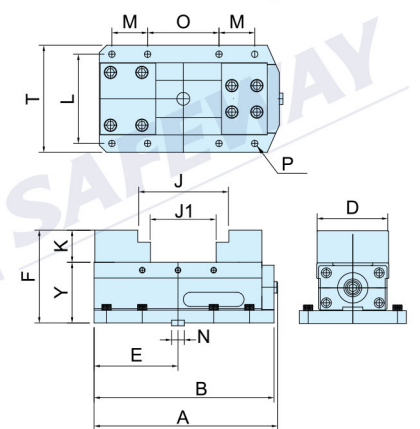
10648100 FAS-100B-FB



10650100 FAS-100B-FM



10652100 FAS-100B-SJ



標準附件：1. 把手一組
2. 導正鍵 x2只，螺絲 x2只(M6 x 10L)

Standard Accessories: 1. Handle x 1 pc
2. Guide key x 2 pcs, Cap screw x 2 pcs (M6 x 10L)

Unit: mm

Order No. 訂購編號	Model 型號	A	B	D	E	F	J	J1	G	K	Y	N	T	L	M	O	P	Shipment Size 裝箱尺寸	N.W 淨重	G.W 毛重	Remarks 備註
10642100	FAS-100B-MX	262	252	100	117.5	130	38-90			45	85	18	150	125	50	100	M8		18.0	19.5	
10644100	FAS-100B-MN	262	252	100	117.5	145	10-75			60	85	18	150	125	50	100	M8		19.5	21.0	
10646100	FAS-100B-MG	262	252	25	117.5	150	16-90			65	85	18	150	125	50	100	M8		16.0	17.5	
10648100	FAS-100B-FB	262	252	160	117.5	107	19-185	19-85	215	22	85	18	150	125	50	100	M8		17.5	18.5	
10650100	FAS-100B-FM	262	252	160	117.5	107	38-165	38-100	200	22	85	18	150	125	50	100	M8		16.5	17.5	
10652100	FAS-100B-SJ	262	252	100	117.5	130	38-145	38-90		45	85	18	150	125	50	100	M8		17.5	18.5	



SAFEWAY

FAS-100B

FAS 5-AXIS SELF-CENTERING MACHINE VISE
FAS 5軸精密雙向求中心機械虎鉗

FAS 5-AXIS SELF-CENTERING
FAS 5軸型 / 求心型



千鳥爪整組 (特殊附件) (適用薄物動平衡口金, 薄物固定口金, 薄物活動口金)

GRIPPER SETS (OPTIONAL ACCESSORIES)

MODEL ● FB-1000 (FB-511F,511R,519F,519R,524F,524R, 511FR,550HR,550SF,550SR,525HF, 525HR,550HF) × 4 pcs





Best aid

SAFEWAY

<http://www.safeway-vise.com>

協威機械工業股份有限公司

SAFEWAY MACHINERY INDUSTRY CORPORATION

台中市梧棲區435台中港關連工業區自立一街196號

No.196, Tzu-Li 1st St., Kuan-Lien Industrial Park,

Wu Chi, Taichung City, Taiwan

TEL:886-4-26308857 FAX:886-4-26308868

E-mail:safeway@ms7.hinet.net

