

XH型鑽夾頭

XH TYPE KEYLESS DRILL CHUCK HEADS

XH 型

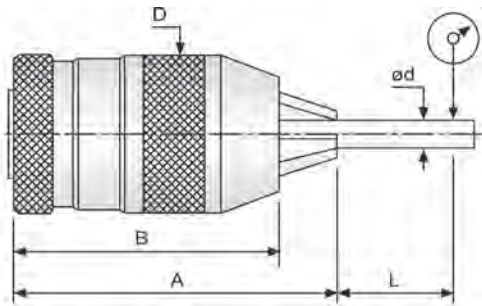


- 適用於銑床、鑽床及重型鑽加工。
- 高精度超強鑽夾頭。
- 剛性好，扭距大。

- Suitable for milling & drilling machine and heavy duty drilling use.
- High precision super drill chucks.
- Good rigidity allows high torque.

精度與扭矩表

Run-out Accuracy & Torque Inspection Table



單位/Unit:mm

| 型號/TYPE | d | L | 跳動/RUN-OUT | 扭矩/TORQUE |
|---------|----|----|------------|-----------|
| 6XHSP | 3 | 35 | 0.05 | 80 |
| | 6 | | | |
| 8XHSP | 3 | 35 | 0.05 | 160 |
| 10XHSP | 8 | 50 | 0.05 | 260 |
| | 3 | 35 | | |
| 13XHSP | 5 | 55 | 0.05 | 400 |
| | 10 | | | |
| | 13 | 75 | | |
| 16XHSP | 5 | 55 | 0.05 | 480 |
| | 10 | | | |
| | 16 | 80 | | |

| 型號/TYPE | 夾持能力/CLAMPING | 錐孔或直柄類型 | D | A | B | 重量WT(g) | QTY Pcs/Cu-Ft | 淨/毛重NW/GW(Kgs) |
|---------|-----------------------|---------|------|-----|----|---------|---------------|----------------|
| 6XH | 0.5~6.5 [1/64"~1/4"] | J1 | 34.0 | 69 | 61 | 320 | 8/0.6 | 26/27 |
| | | B10 | 34.0 | 69 | 61 | 320 | 8/0.6 | 26/27 |
| | | B12 | 34.0 | 69 | 61 | 320 | 8/0.6 | 26/27 |
| 8XH | 0.5~8.0 [1/64"~5/16"] | J1 | 34.0 | 69 | 61 | 340 | 40/0.6 | 14/15 |
| | | J2S | 34.0 | 69 | 61 | 340 | 40/0.6 | 14/15 |
| | | B10 | 34.0 | 69 | 61 | 340 | 40/0.6 | 14/15 |
| 10XH | 0.5~10.0 [1/64"~3/8"] | B12 | 43.0 | 92 | 81 | 700 | 40/0.6 | 28/29 |
| | | J2S | 43.0 | 92 | 81 | 700 | 40/0.6 | 28/29 |
| | | J2 | 43.0 | 92 | 81 | 700 | 40/0.6 | 28/29 |
| | | J33 | 43.0 | 92 | 81 | 700 | 40/0.6 | 28/29 |
| 13XH | 0.5~13.0 [1/64"~1/2"] | B12 | 51.5 | 103 | 92 | 1030 | 30/0.6 | 31/32 |
| | | B16 | 51.5 | 103 | 92 | 1030 | 30/0.6 | 31/32 |
| | | J2 | 51.5 | 103 | 92 | 1030 | 30/0.6 | 31/32 |
| | | J6 | 51.5 | 103 | 92 | 1035 | 30/0.6 | 31/32 |
| | | J33 | 51.5 | 103 | 92 | 1030 | 30/0.6 | 31/32 |
| 16XH | 3.0~16.0 [1/8"~5/8"] | J6 | 58.0 | 108 | 95 | 1370 | 24/0.6 | 33/34 |
| | | B16 | 58.0 | 108 | 95 | 1370 | 24/0.6 | 33/34 |
| | | B18 | 58.0 | 108 | 95 | 1365 | 24/0.6 | 33/34 |
| | | J3 | 58.0 | 108 | 95 | 1340 | 24/0.6 | 33/34 |
| | | J33 | 58.0 | 108 | 95 | 1340 | 24/0.6 | 33/34 |