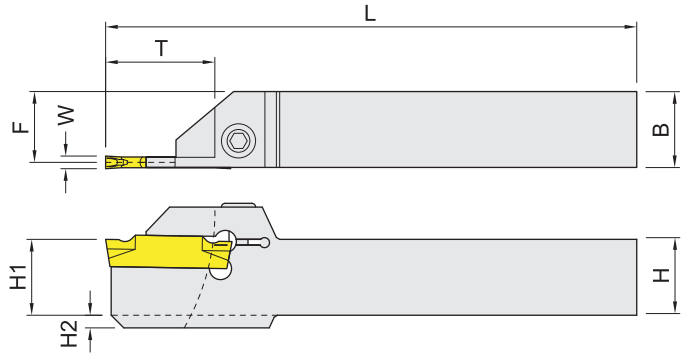
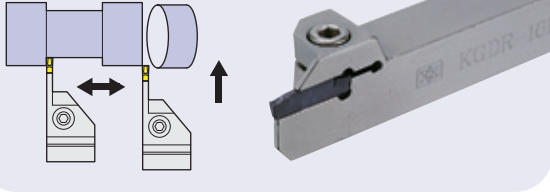


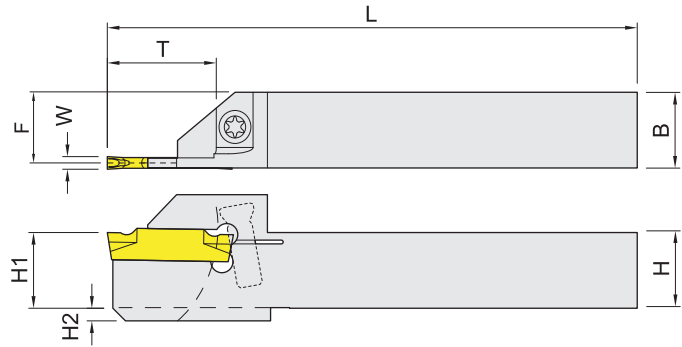
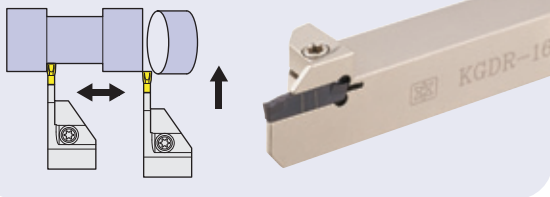
## KGD



Right-hand shown

Item code	Dimensions,mm						Width W(mm)	Insert	Screw	Wrench	Weight Kg	
	H(H1)	B	L	F	T	H2						
KGDR/L-1616K-2T13T	16	16	125	15.2	13	--	2.0	GDM2020	HTMT520	ETL25	0.25	
KGDR/L-2020K-2T17T	20	20	125	19.2	17						HTMT525	0.39
KGDR/L-2525M-2T17T	25	25	150	24.2							0.74	
KGDR/L-1616K-3T20T	16	16	125	14.8	20	--	3.0	GDM3020	HTMT520		0.27	
KGDR/L-2020K-3T20T	20	20	125	18.8							HTMT525	0.39
KGDR/L-2525M-3T20T	25	25	150	23.8								0.74

## KGD..LH



Right-hand shown

Item code	Dimensions,mm						Width W(mm)	Insert	Screw	Wrench	Weight Kg
	H(H1)	B	L	F	T	H2					
KGDR/L-1010K-2TH13T	10	10	125	9.2	13	4	2.0	GDM2020	MS4013F	ETL15	0.10
KGDR/L-1212K-2TH13T	12	12	125	11.2		2					0.14
KGDR/L-1616K-2TH13T	16	16	125	15.2		--					0.25
KGDR/L-1212K-2TH17T	12	12	125	11.2	17	2	3.0	GDM3020			0.14
KGDR/L-1616K-2TH17T	16	16	125	15.2		--					0.25
KGDR/L-1212K-3TH16T	12	12	125	10.8	16	2					0.14
KGDR/L-1616K-3TH16T	16	16	125	14.8		--					0.25

※ 走心式刀 SWISS-TYPE

※ 刀片請參考 106 頁 Please refer to page 106 for insert.