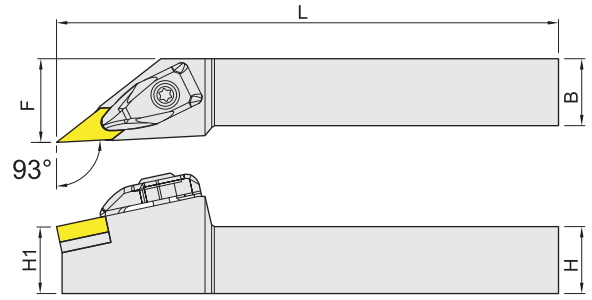


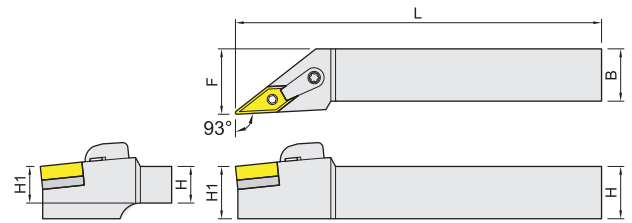
DVJN



Right-hand shown

Item code	Dimensions,mm				Insert	Shim	Screw	Wrench	Clamp	Wrench	Weight Kg
	H(H1)	B	L	F							
DVJNR/L-2020K-16	20	20	125	25	VN..1604..	VMS322	MDS050H65T	PL35	MCD331	ETL20	0.45
DVJNR/L-2525M-16	25	25	150	32							0.84
DVJNR/L-3232P-16	32	32	170	40							1.51

MVJN



MVJNR/L-1216K-16

Right-hand shown

Item code	Dimensions,mm				Insert	Pin	Shim	Wrench	Screw	Clamp	Wrench	Weight Kg
	H(H1)	B	L	F								
MVJNR/L-1216K-16	12	16	125	22	VN..1604..	MLP34L-A	VMS322	PL20	MS625TX	MC622	ETL15	0.14
MVJNR/L-1616K-16	16	16	125	22								0.29
MVJNR/L-2020K-16	20	20	125	25								0.45
MVJNR/L-2525M-16	25	25	150	32					MS630TX	MC622	ETL15	0.84
MVJNR/L-3232P-16	32	32	170	40								1.51

BORING BARS
內徑車刀
TOOLHOLDERS
外徑車刀
THREADING & GROOVING
牙刀 & 開槽刀
MILLING
銑刀
BORING TOOLS COMPONENTS
孔加工
SPARE PARTS
配件