



RING SUN since 1984

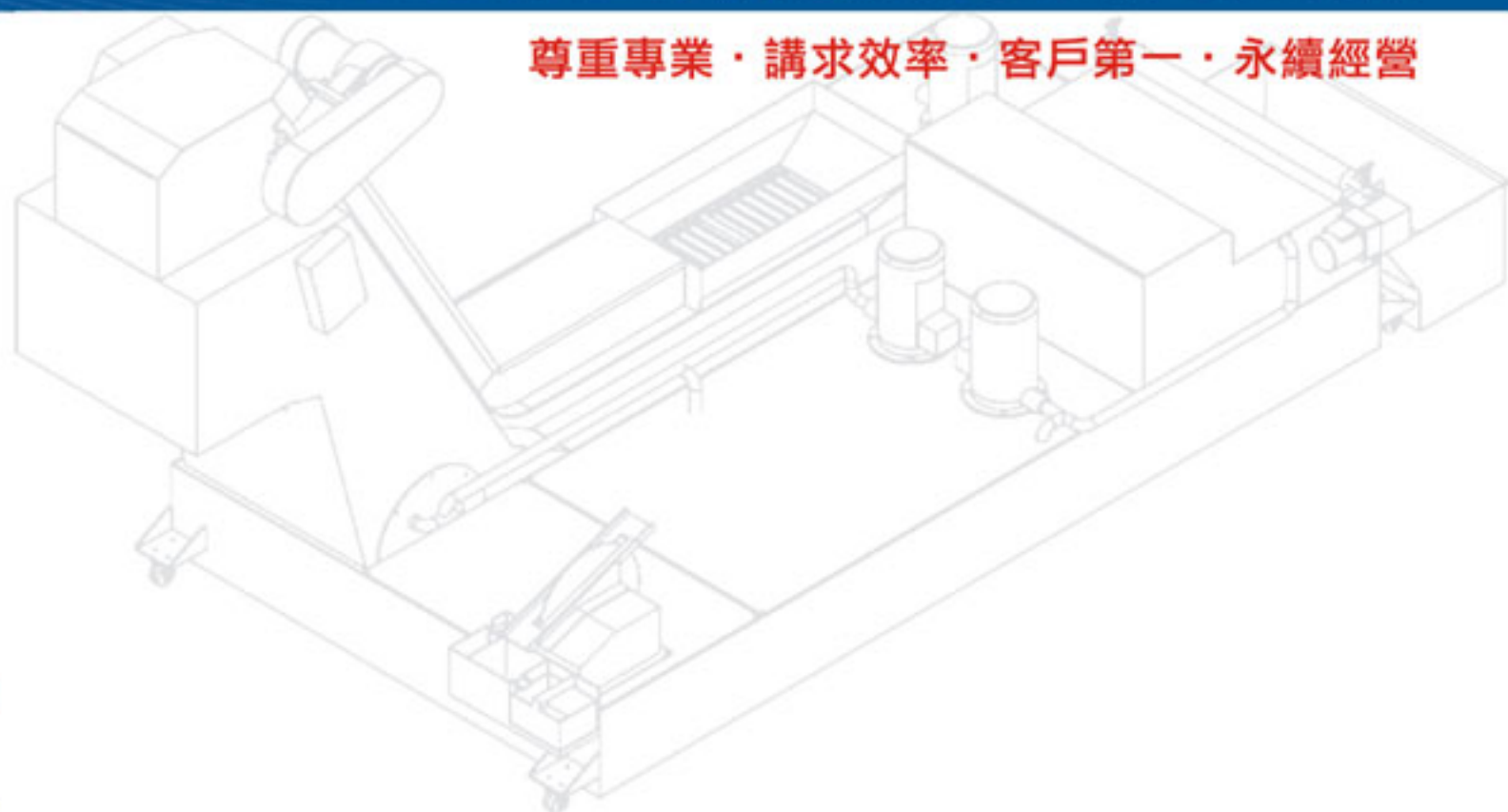
<http://www.ringsun.com.tw>

RING SUN

日映順機械板金有限公司
RING SUN MACHINERY CO., LTD.



尊重專業 · 講求效率 · 客戶第一 · 永續經營



◆ 工具機 · 除屑機設計製造 ◆ 機械板金設計製造 ◆ 專業輸送機設計規劃



RING SUN MACHINERY CO., LTD.

日映順機械板金有限公司

尊重專業 講求效率 客戶第一 永續經營

在專業領不斷鑽研精進，累積了二十年的技術及經驗，日映順可以說是「排屑機的專家」！

自1984創立至今，從最初僅研發履帶式排屑機鏈條功能、到今日完成二代零件清洗工件機，客戶的任何需求，都可在最短的時間內，精確且完善的獲得解決方案，有效的提升產品品質，節省時間、金錢成本。嚴謹的品質管制、優異的功能性，加上準時交貨誠信及高度服務熱忱，使得福裕事業股份有限公司、綺發機械工廠股份有限公司、遠東機械股份有限公司…等機械大廠，都成為日映順長期合作的客戶。日映順始終堅持品質第一、研發創新、服務至上的信念，為客戶提供更完善、更精準的服務。

Ring Sun is a company where the customer is always first. We value sustainable business practices, professionalism, and constantly strive for better efficiency.

With 20 years of experience and technical know-how to our name, Ring Sun Machinery is home of the chip conveyor experts.

From the time we were established to the present day, from the earliest R&D in track type chip conveyors to second generation work piece washing machines, we have a long track record of fulfilling all customer requirements within the shortest amount of time. Ring Sun customers obtain the most accurate chip removal solutions, effectively improve product quality, reduce time and cost. We follow strict quality assurance to ensure excellent functionality, timely delivery, and enthusiastic service. Our chip conveyors are found on the machine tools of our big name manufacturing partners like Chevalier, Twinhorn (Chi-Fa), and FEMCO; all of whom have become our long term partners.

For Ring Sun quality is number one. This affects everything we do, from R&D to customer service.

複合式除屑機 RSCS501

Combination Screening Conveyor

特點：

- 1.符合歐洲安規CE標準認證，安全無虞。
- 2.鏈體使用高張力鋼板，增強抗拉強度。
- 3.針對工作母機所產生之長捲屑、中短細屑及粉狀切屑，能有效排除、過濾。
- 4.機體內部過濾滾筒，過濾精度達150 μ m，有效分離粉狀細屑和切削液，延長切削液使用週期，並避免切削影響加工作業、阻塞管路。
- 5.配合水箱使用，可發揮逆洗功能，無須擔心濾網阻塞。
- 6.依客戶機台尺寸設計規劃。

Features :

- 1.CE approved.
- 2.High tension steel belt.
- 3.Effectively removes and filters long curly chips, short fine chips and powder chips from most machines tools.
- 4.Filtration cylinder screens powdered waste to 150 μ m. Effectively separates powdered chips and cutting fluid which increases working life of cutting fluid and prevents pipe blockages during machining.
- 5.Reservoir backwash function ensures filter net does not need special care.
- 6.Flexible design dimensions.

規格尺寸 Specifications

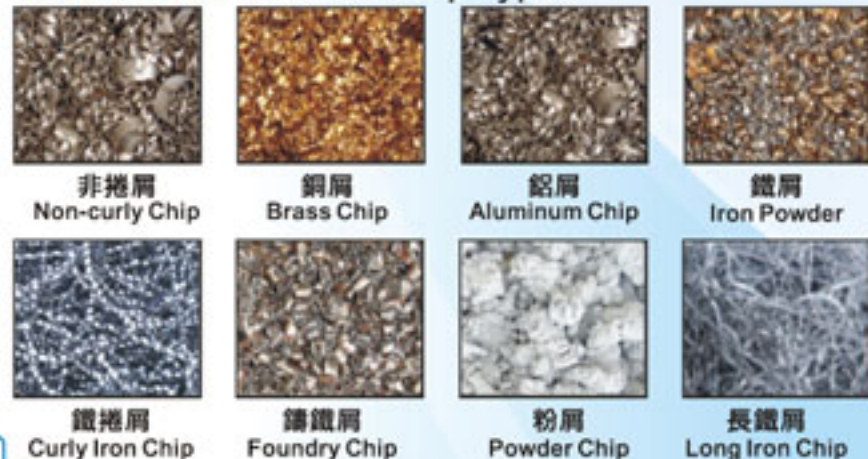
機型 Type	RSCS501
減速馬達 Motor	1/4HP 4P 三相 速比：1/165S 1/4 HP 4P 3 PHASE RATIO: 1/165S
電壓 Voltage (V)	220V/380V/400V/415V 50HZ/60HZ
赫茲 Hertz (H)	50HZ/60HZ
鏈板寬 Chain widths (W)	W=200/250/300mm
刮板寬 Scraper widths (W)	W+150=350/400/450mm
鏈板厚 Chain thickness	3mm
節距 Pitch	31.75mm
揚昇角度 Angle(α)	60°

適用機型 Application

本機台可運用在各型機床，中心加工機，鑽孔機龍門式加工機，特殊專用加工機等小屑量排屑用。

©Compatible with machining centers, drills, double column machining centers, and special use/ dedicated machinery for small volume chip removal.

適用切屑種類 Suitable Chip Types

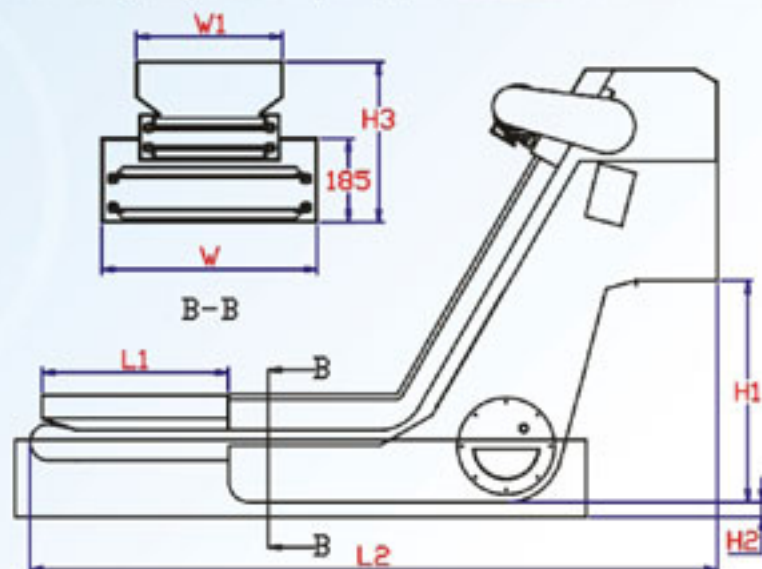


RSCS501



訂購明細資料 Order Table

為了配合貴公司之工作母機，請提供下列資料：
In order to adjust your workplace, please offer the data mentioned:



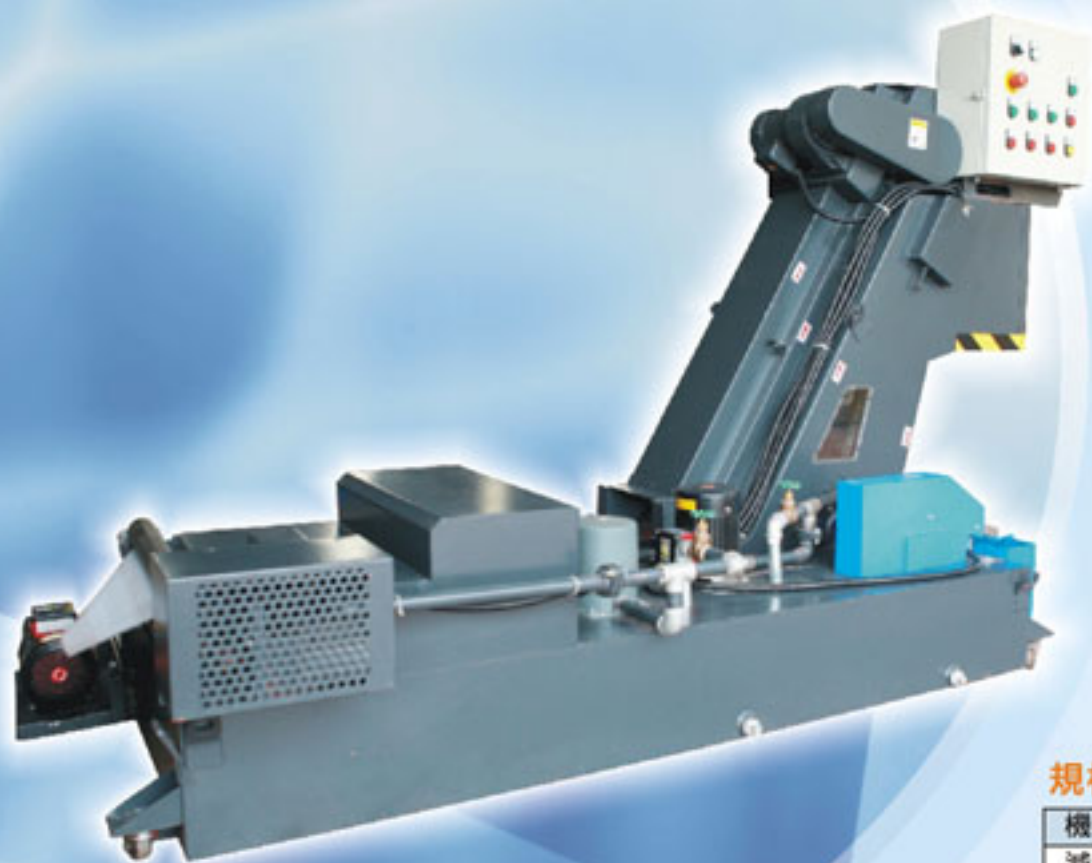
	L1	L2	W	W1	H1	H2	H3
RSCS501							

注意：此排屑機應與母機同運轉。
Note: Conveyor timing must be synchronized with the production machine.

二次過濾複合式除屑機 RSCS502

Twice Filter Combination Screening Conveyor

RSCS502



特點：

- 1.符合歐洲安規CE標準認證，安全無虞。
- 2.鏈體使用高張力鋼板，增強抗拉強度。
- 3.針對工作母機所產生之長捲屑、中短細屑及粉狀切屑，能有效排除、過濾。
- 4.機體內部過濾滾筒，過濾精度達30 μ m，有效分離粉狀細屑和切削液，延長切削液使用週期，並避免切削影響加工作業、阻塞管路。
- 5.配合水箱使用，可發揮逆洗功能，無須擔心濾網阻塞。
- 6.水箱搭配有油水分離機及紙帶過濾機，能將浮在切削液面的油污吸附刮除，並藉由紙帶提昇過濾精度。
- 7.依客戶機台尺寸設計規劃。

Features：

- 1.CE approved.
- 2.High tension steel belt.
- 3.Effectively removes and filters long curly chips, short fine chips and powder chip s from most machines tools.
- 4.Filtration cylinder screens powdered waste to 30 μ m. Effectively separates powdered chips and cutting fluid which increases working life of cutting fluid and prevents pipe blockages during machining.
- 5.Reservoir backwash function ensures filter net does not need special care.
- 6.Reservoir includes oil/ water separator and paper filter. Effectively scrapes greasy dirt floating on cutting fluid and the paper tape filter enhances precision of the filtration.
- 7.Flexible design dimensions.

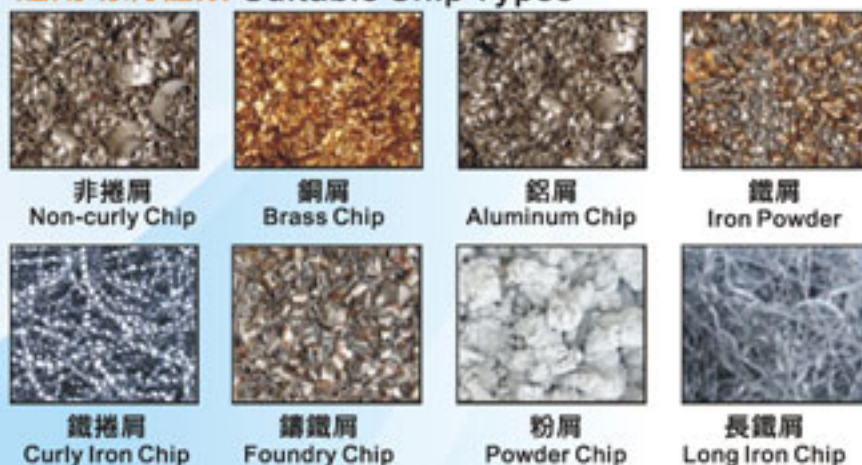
規格尺寸 Specifications

機型 Type	RSCS502
減速馬達 Motor	1/4 HP 4P 3 PHASE RATIO: 1/165S
電壓 Voltage (V)	220V/380V/400V/415V
赫茲 Hertz (H)	50HZ/60HZ
鏈板寬 Chain widths (W)	W=200/250/300mm
刮板寬 Scraper widths (W)	W+150=350/400/450mm
鏈板厚 Chain thickness	3mm
節距 Pitch	31.75mm
揚昇角度 Angle(α)	60°

適用機型 Application

- ◎本機台可運用在各型機床，中心加工機，鑽孔機，龍門式加工機，特殊專用加工機等小屑量排屑用。
- ◎Compatible with machining centers, drills, double column machining centers, and special use/ dedicated machinery for small volume chips removal.

適用切屑種類 Suitable Chip Types



非捲屑
Non-curly Chip

銅屑
Brass Chip

鋁屑
Aluminum Chip

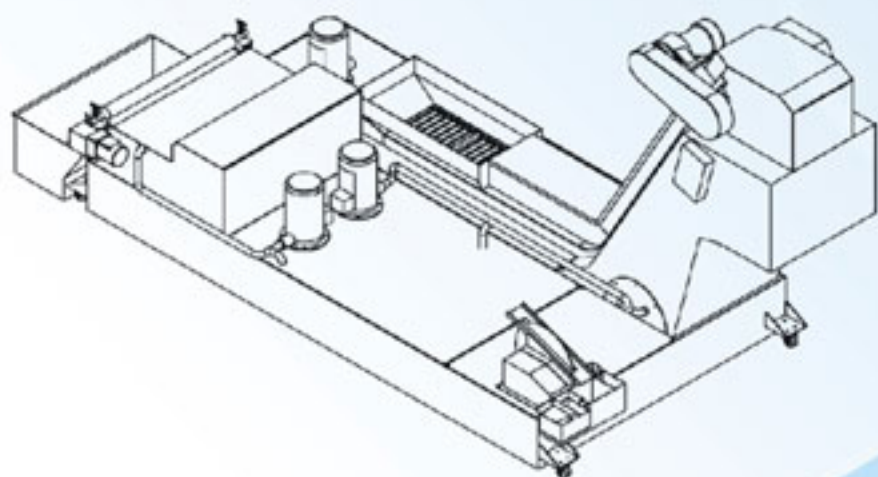
鐵屑
Iron Powder

鐵捲屑
Curly Iron Chip

鑄鐵屑
Foundry Chip

粉屑
Powder Chip

長鐵屑
Long Iron Chip



履帶式除屑機 RSCW501

Belt Type Chip Conveyor

特點：

- 1.符合歐洲安規、標準CE認證，安全無虞。
- 2.鏈體使用高張力鋼板，增強抗拉強度。
- 3.流線外型設計，提高排屑功能流暢。
- 4.適用各型機床：加工中心機、鑽孔機、龍門式加工機、特殊專用加工機排屑使用。
- 5.依客戶機台尺寸設計規劃。

RSCW501

Features :

- 1.CE approved.
- 2.High tension steel belt.
- 3.Durable dimpled steel belt efficiently removes tiny chips.
- 4.Compatible with machine tools such as machining centers, drilling machines, double column machining centers, and special use/ dedicated machinery.
- 5.Flexible design dimensions.

規格尺寸 Specifications

機型 Type	RSCW501
節距 Pitch	31.75mm
鏈板寬 Chain widths (W)	150, 200, 250, 300, 350, 400, 450, 500, 550, 600 (mm)
鏈板厚 Chain thickness	2mm
揚昇角度 Angle (α)	15°, 30°, 45°, 60°
標準速度 Standard speed (M/min)	1.2 (60Hz)

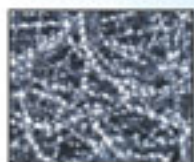
適用機型 Application

機型 Type	RSCW501
Pitch:31.75mm	<ol style="list-style-type: none"> 1.適用於小型工作機械，如：CNC車床、CNC 銑床等專用機。 2.適宜捲狀型態且少量之廢屑輸送。 <p>Compatible with smaller CNC lathes, drills, machining centers, etc. that produce a relatively fewer chips.</p>

適用切屑種類 Suitable Chip Types



非捲屑
Non-curly Chip



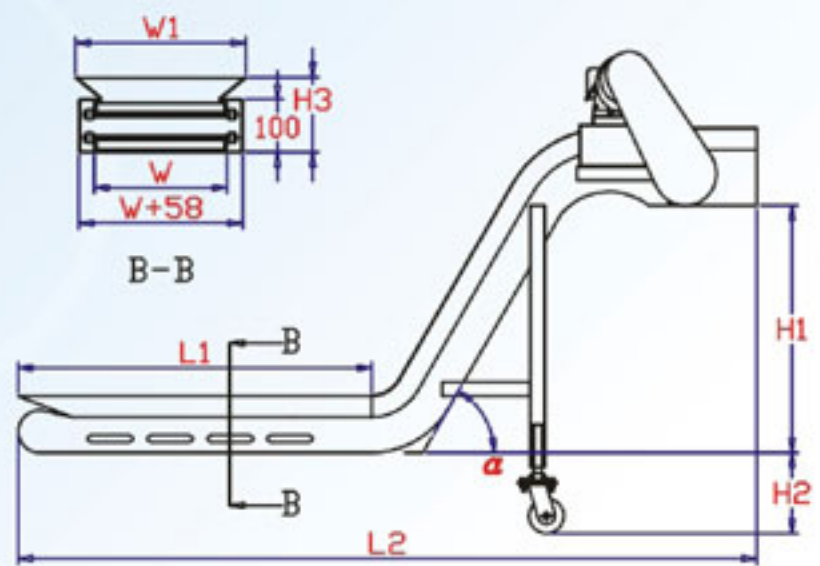
鐵捲屑
Curly Iron Chip



長鐵屑
Long Iron Chip

訂購明細資料 Order Table

為了配合貴公司之工作母機，請提供下列資料：
In order to adjust your workplace, please offer the data mentioned:



	L1	L2	W	W1	H1	H2	H3	α
RSCW501								

注意：此排屑機應與母機同運轉。
Note: Conveyor timing must be synchronized with the production machine.

履帶式除屑機

RSCW502

Belt Type Chip Conveyor



特點：

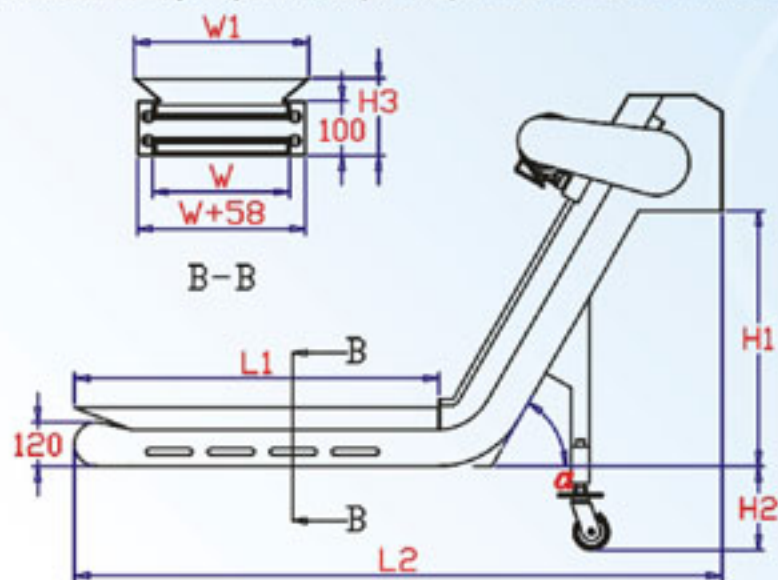
- 1.符合歐洲安規、標準CE認證，安全無虞。
- 2.鏈體使用高張力鋼板，增強抗拉強度。
- 3.流線外型設計，提高排屑功能流暢。
- 4.適用各型機床：加工中心機、鑽孔機、龍門式加工機、特殊專用加工機排屑使用。
- 5.依客戶機台尺寸設計規劃。

Features :

- 1.CE approved.
- 2.High tension steel belt.
- 3.Durable dimpled steel belt efficiently removes tiny chips.
- 4.Compatible with machine tools such as machining centers, drilling machines, double column machining centers, and special use/ dedicated machinery.
- 5.Flexible design dimensions.

訂購明細資料 Order Table

為了配合貴公司之工作母機，請提供下列資料：
In order to adjust your workplace, please offer the data mentioned:



	L1	L2	W	W1	H1	H2	H3	α
RSCW502								

注意：此排屑機應與母機同運轉。
Note: Conveyor timing must be synchronized with the production machine.

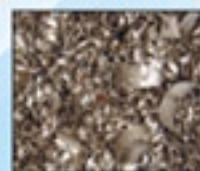
規格尺寸 Specifications

機型 Type	RSCW502
節距 Pitch	31.75mm
鏈板寬 Chain widths (W)	150, 200, 250, 300, 350, 400, 450, 500, 550, 600 (mm)
鏈板厚 Chain thickness	2mm
揚昇角度 Angle (α)	15°, 30°, 45°, 60°
標準速度 Standard speed (M/min)	1.2 (60Hz)

適用機型 Application

機型 Type	RSCW502
Pitch:31.75mm	1.適用於小型工作機械，如：CNC車床、CNC 銑床等專用機。 2.適宜捲狀型態且少量之廢屑輸送。 Compatible with smaller CNC lathes, drills, machining centers etc. that produce a relatively fewer chips.

適用切屑種類 Suitable Chip Types



非捲屑
Non-curly Chip



鐵捲屑
Curly Iron Chip



長鐵屑
Long Iron Chip

履帶式除屑機 RSCW801

Belt Type Chip Conveyor

特點：

1. 符合歐洲安規、標準CE認證，安全無虞。
2. 鏈體使用高張力鋼板，增強抗拉強度。
3. 流線外型設計，提高排屑功能流暢。
4. 適用各型機床：加工中心機、鑽孔機、龍門式加工機、特殊專用加工機排屑使用。
5. 依客戶機台尺寸設計規劃。

Features :

1. CE approved.
2. High tension steel belt.
3. Durable dimpled steel belt efficiently removes tiny chips.
4. Compatible with machine tools such as machining centers, drilling machines, double column machining centers, and special use/ dedicated machinery.
5. Flexible design dimensions.

RSCW801



規格尺寸 Specifications

機型 Type	RSCW801
節距 Pitch	50.8mm
鏈板寬 Chain widths (W)	240, 300, 360, 420, 480, 540, 600, 660, 720, 840, 900, 960 (mm)
鏈板厚 Chain thickness	2.3mm
揚昇角度 Angle (α)	15°, 30°, 45°, 60°
標準速度 Standard speed (M/min)	1.5 (60Hz)

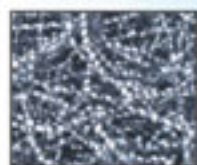
適用機型 Application

機型 Type	RSCW801
Pitch: 50.8mm	<ol style="list-style-type: none"> 1. 適用於中型工作機械，如：立臥式 CNC 車床、CNC 銑床等專用機。 2. 適宜捲狀型態且中量之廢屑輸送。 <p>Compatible with medium sized CNC lathes, drills, machining centers, etc. that produce a relatively more chips.</p>

適用切屑種類 Suitable Chip Types



非捲屑
Non-curly Chip



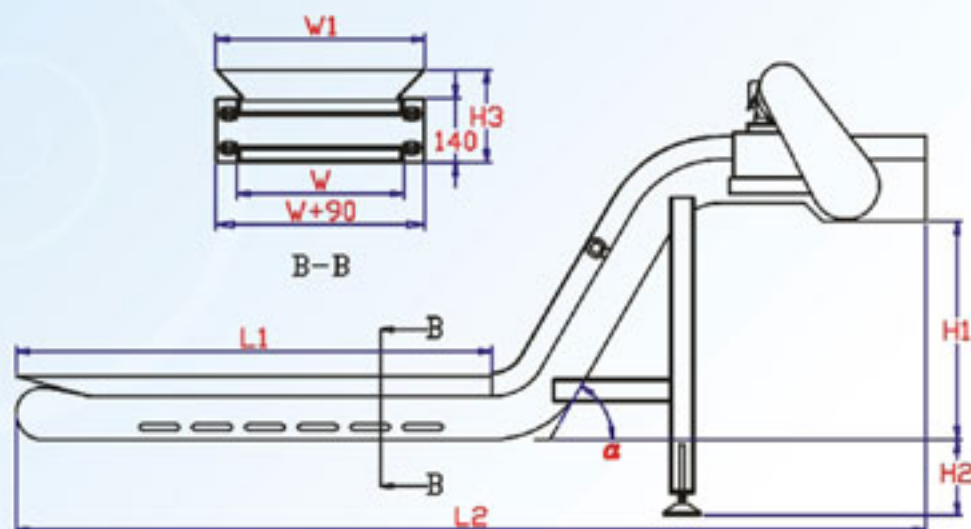
鐵捲屑
Curly Iron Chip



長鐵屑
Long Iron Chip

訂購明細資料 Order Table

為了配合貴公司之工作母機，請提供下列資料：
In order to adjust your workplace, please offer the data mentioned:



	L1	L2	W	W1	H1	H2	H3	α
RSCW801								

注意：此排屑機應與母機同運轉。
Note: Conveyor timing must be synchronized with the production machine.

履帶式除屑機 RSCW1001

Belt Type Chip Conveyor

RSCW1001



特點：

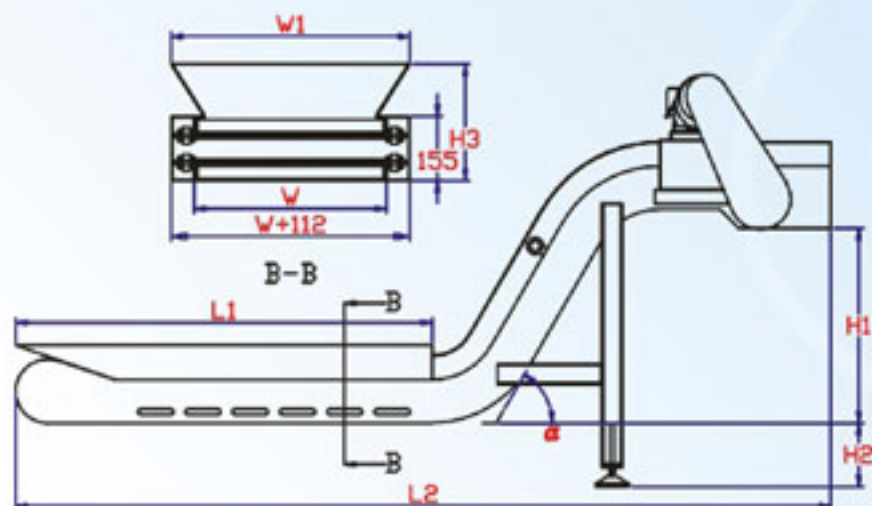
- 1.符合歐洲安規、標準CE認證，安全無虞。
- 2.鏈體使用高張力鋼板，增強抗拉強度。
- 3.流線外型設計，提高排屑功能流暢。
- 4.適用各型機床：加工中心機、鑽孔機、龍門式加工機、特殊專用加工機排屑使用。
- 5.依客戶機台尺寸設計規劃。

Features :

- 1.CE approved.
- 2.High tension steel belt.
- 3.Durable dimpled steel belt efficiently removes tiny chips.
- 4.Compatible with machine tools such as machining centers, drilling machines, double column machining centers, and special use/ dedicated machinery.
- 5.Flexible design dimensions.

訂購明細資料 Order Table

為了配合貴公司之工作母機，請提供下列資料：
In order to adjust your workplace, please offer the data mentioned:



	L1	L2	W	W1	H1	H2	H3	α
RSCW1001								

注意：此排屑機應與母機同運轉。
Note: Conveyor timing must be synchronized with the production machine.

規格尺寸 Specifications

機型 Type	RSCW1001
節距 Pitch	50.8mm
鏈板寬 Chain widths (W)	230, 306, 383, 460, 536, 613, 690, 843, 920, 996, 1073, 1150, 1226 (mm)
鏈板厚 Chain thickness	3mm
揚昇角度 Angle (α)	15°, 30°, 45°, 60°
標準速度 Standard speed (M/min)	1.9 (60Hz)

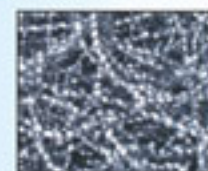
適用機型 Application

機型Type	RSCW1001
Pitch:63.5mm	<ol style="list-style-type: none"> 1.適用於大型工作機械，如：立臥式CNC車床、CNC龍門銑床等專用機及整廠加工生產線(鋁輪圈、沖壓鍛造)。 2.適宜捲狀型態且大量之廢屑輸送。 <p>Compatible with larger CNC lathes, drills, machining centers, etc. that produce a large amount of chips.</p>

適用切屑種類 Suitable Chip Types



非捲屑
Non-curly Chip



鐵捲屑
Curly Iron Chip



長鐵屑
Long Iron Chip

精密式刮板式除屑機 RSPSW501

Precision Scraper Type Chip Conveyor

特點：

1. 符合歐洲安規、標準CE認證，安全無虞。
2. 鏈體使用高張力鋼板，增強抗拉強度。
3. 流線的設計，簡約外型。
4. 適用各型機床：加工中心機、龍門式加工機、特殊專用加工機等排屑使用。
5. 依客戶機台尺寸設計規劃。

RSPSW501



Features :

1. CE approved.
2. High tension steel belt.
3. Durable dimpled steel belt efficiently removes tiny chips.
4. Compatible with machine tools such as machining centers, drilling machines, double column machining centers, and special use/ dedicated machinery.
5. Flexible design dimensions.

規格尺寸 Specifications

機型Type	RSPSW501
節距Pitch	31.75(mm) 38.1(mm)
揚昇角度Angle (α)	30°, 45°, 60°
標準速度Standard speed (M/min)	1.2 (60Hz) 1.9 (60Hz)

適用機型 Application

機型Type	RSPSW501
Pitch:31.75mm	<ol style="list-style-type: none"> 1. 適用於各型工作機械，如：CNC車床、CNC銑床等專用機。 2. 適宜非磁性鑄鋼、鋁、銅等非螺捲型態且粉狀、少量之廢屑輸送。
Pitch:38.1mm	<ol style="list-style-type: none"> 1. Compatible with machining centers, CNC lathes, CNC milling machines, etc. 2. Suitable for removing low levels of particle and non-curlly chips of non-magnetic steels, aluminum, copper, etc.

適用切屑種類 Suitable Chip Types



非捲屑
Non-curlly Chip



銅屑
Brass Chip



鋁屑
Aluminum Chip



鐵屑
Iron Powder



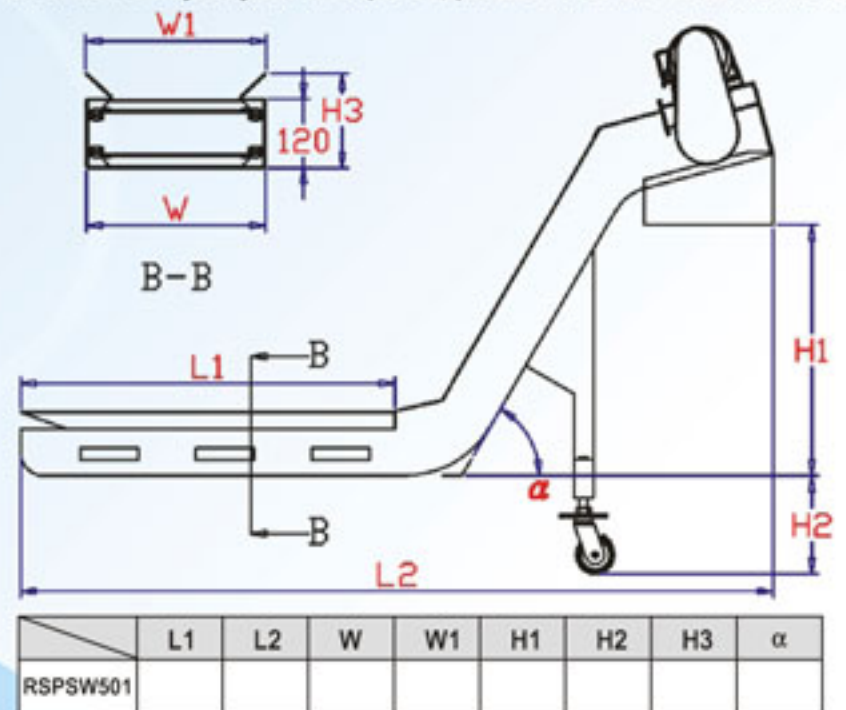
鑄鐵屑
Foundry Chip



粉屑
Powder Chip

訂購明細資料 Order Table

為了配合貴公司之工作母機，請提供下列資料：
In order to adjust your workplace, please offer the data mentioned:



注意：此排屑機應與母機同運轉。
Note: Conveyor timing must be synchronized with the production machine.

精密刮板式除屑機 RSPSW502

Precision Scraper Type Chip Conveyor

RSPSW502

特點：

1. 符合歐洲安規、標準CE認證，安全無虞。
2. 鏈體使用高張力鋼板，增強抗拉強度。
3. 流線的設計，簡約外型。
4. 適用各型機床：加工中心機、龍門式加工機、特殊專用加工機等排屑使用。
5. 依客戶機台尺寸設計規劃。

Features :

1. CE approved.
2. High tension steel belt.
3. Durable dimpled steel belt efficiently removes tiny chips.
4. Compatible with machine tools such as machining centers, drilling machines, double column machining centers, and special use/ dedicated machinery.
5. Flexible design dimensions.

規格尺寸 Specifications

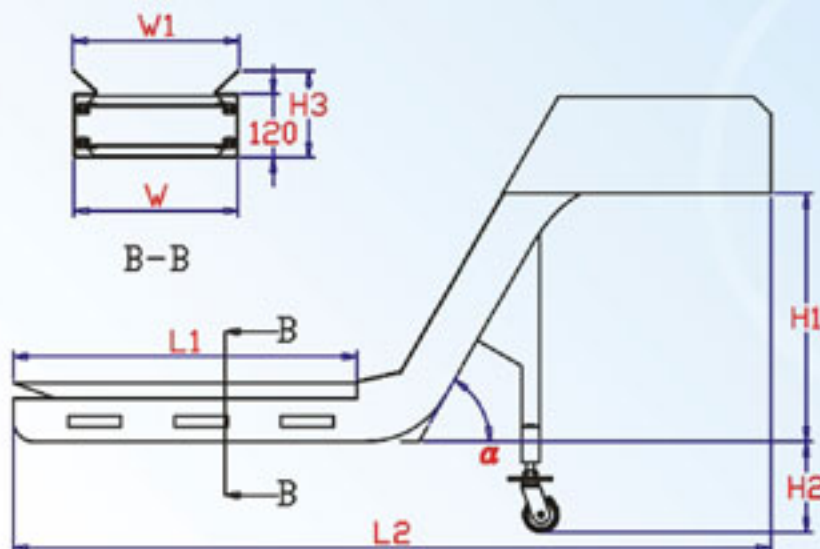
機型Type	RSPSW502
節距Pitch	31.75(mm) 38.1(mm)
揚昇角度Angle (α)	30°, 45°, 60°
標準速度 Standard speed (M/min)	1.2 (60Hz) 1.9 (60Hz)

適用機型 Application

機型Type	RSPSW502
Pitch:31.75mm	<ol style="list-style-type: none"> 1. 適用於各型工作機械，如：CNC車床、CNC銑床等專用機。 2. 適宜非磁性鑄鋼、鋁、銅等非螺捲型態且粉狀、少量之廢屑輸送。
Pitch:38.1mm	<ol style="list-style-type: none"> 1. Compatible with machining centers, CNC lathes, CNC milling machines, etc. 2. Suitable for removing low levels of particle and non-curlly chips of non-magnetic steels, aluminum, copper, etc.

訂購明細資料 Order Table

為了配合貴公司之工作母機，請提供下列資料：
In order to adjust your workplace, please offer the data mentioned:



	L1	L2	W	W1	H1	H2	H3	α
RSPSW502								

注意：此排屑機應與母機同運轉。

Note: Conveyor timing must be synchronized with the production machine.

適用切屑種類 Suitable Chip Types



非捲屑
Non-curlly Chip



銅屑
Brass Chip



鋁屑
Aluminum Chip



鐵屑
Iron Powder



鑄鐵屑
Foundry Chip



粉屑
Powder Chip

螺捲式除屑機

RSPSW50SC

Screw Type Conveyor

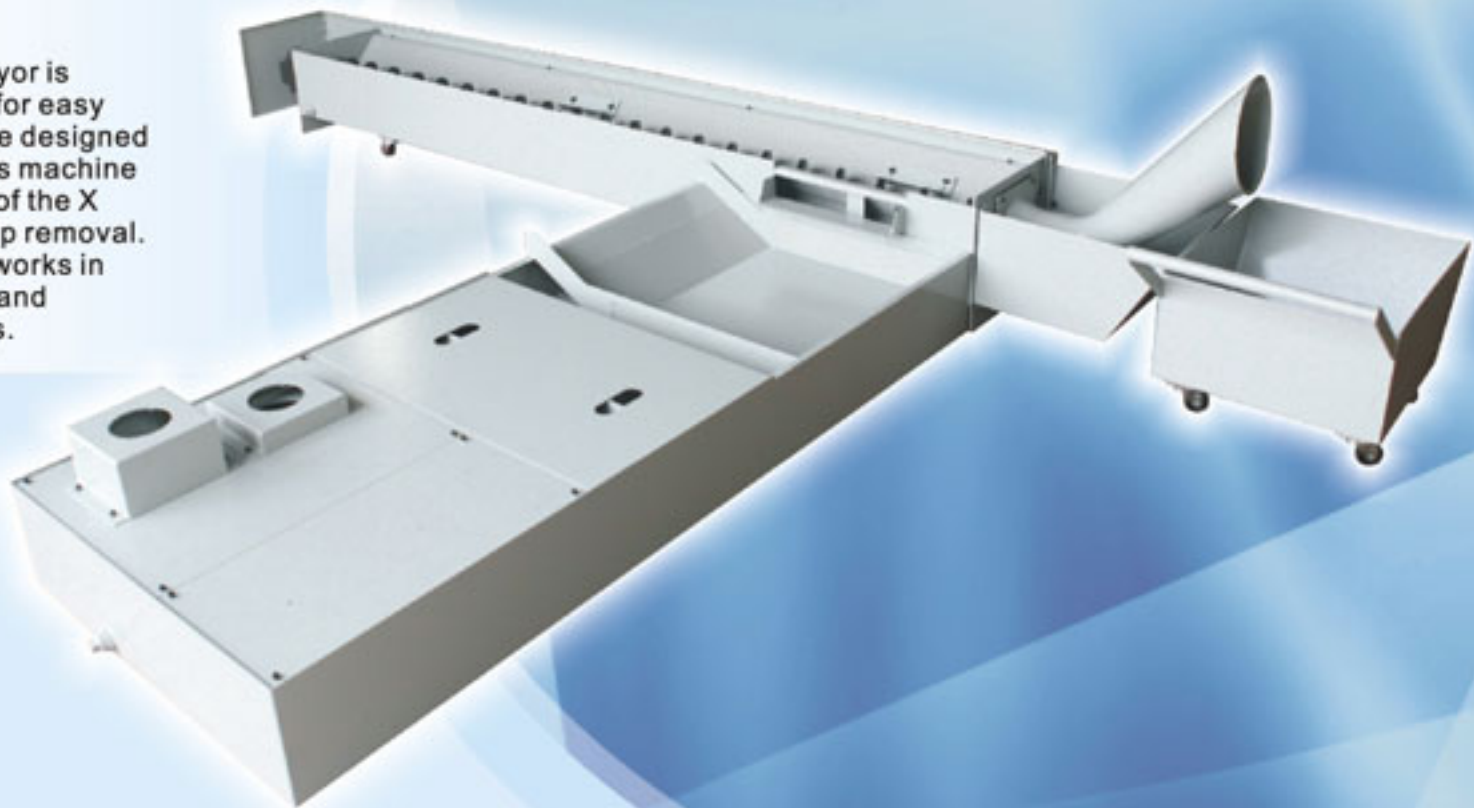
特點：

1. 螺旋的直徑為 $\varnothing 100$
2. 適用一般切削中心機，可節省工具機的空間。依客戶機台設計規劃並安裝於X軸與Y軸中，可增加排屑效果。
3. 輸送片狀式的切屑，並可搭配履帶式或精密刮板式除屑機使用。

RSPSW50SC

Features :

1. Screw diameter $\varnothing 100$ mm
2. This screw type chip conveyor is compact and saves space for easy installation. These units are designed according to the customer's machine and installed at the center of the X and Y axes for effective chip removal.
3. Meant for larger chips and works in conjunction with steel belt and scraper type chip removers.



訂購明細資料 Order Table

為了配合貴公司之工作母機，請提供下列資料：
In order to adjust your workplace, please offer the data mentioned:



適用切屑種類 Suitable Chip Types



非捲屑
Non-curly Chip



銅屑
Brass Chip



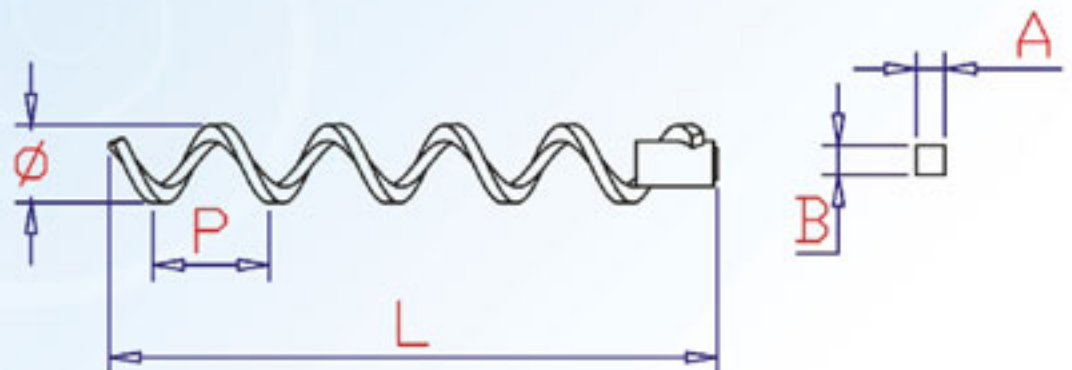
鋁屑
Aluminum Chip



鐵屑
Iron Powder



鑄鐵屑
Foundry Chip



	Ø	P	L	A	B
RSPSW50SC					

注意：此排屑機應與母機同運轉。
Note: Conveyor timing must be synchronized with the production machine.

平面輸送機 RSBW501

Surface Conveyor



特點：

- 1.符合歐洲安規CE標準認證，安全無虞。
- 2.鏈體使用高張力鋼板，增強抗拉強度。
- 3.護罩鍍金將風力集中輸送台面，供工件冷卻降溫。
- 4.腳架可調整，輸送台面傾斜，不受空間限制。
- 5.適用各型機床：壓鑄機、塑膠射出機、成品輸送專用。
- 6.依客戶機台尺寸設計規劃。

Features :

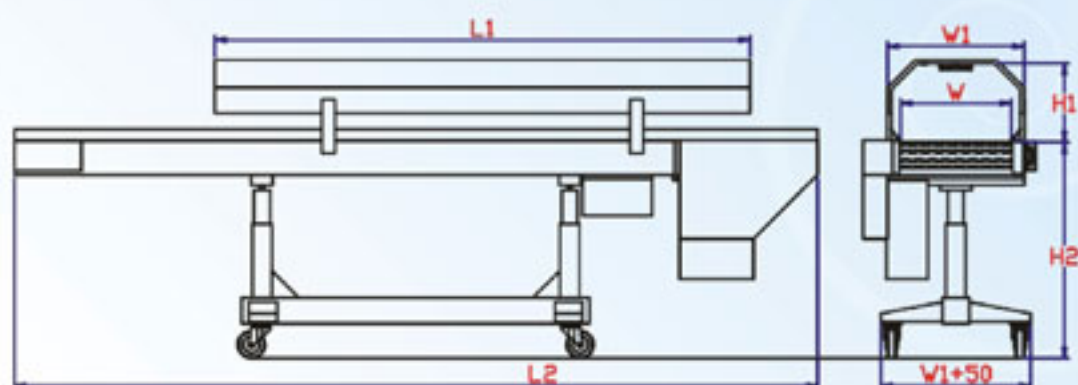
- 1.CE approved.
- 2.High tension steel belt.
- 3.Machine cover focuses air flow for work piece cooling.
- 4.Not limited by space restrictions with adjustable legs and conveyor surface tilt.
- 5.Compatible with die casting machines, plastic injection machines, etc. for conveying goods.
- 6.Flexible design dimensions.

規格尺寸 Specifications

機型 Type	RSBW501
減速馬達 Motor	1/8HP 4P 三相 速比：1/90S 1/8HP 4P 3 PHASE RATIO: 1/90S
電壓 Voltage (V)	220V/380V/400V/415V
赫茲 Hertz (H)	50HZ/60HZ
鏈板寬 Chain widths (W)	200/250/300/350/400/450/600mm
雙定時器 Timer	5 sec X 5 sec
輸送速度 Speed	2 m/min
運轉控制 Work control	連續、間歇 Continuity and Intermittence

訂購明細資料 Order Table

為了配合貴公司之工作母機，請提供下列資料：
In order to adjust your workplace, please offer the data mentioned:



	L1	L2	W	W1	H1	H2
RSBW501						

注意：此排屑機應與母機同運轉。
Note: Conveyor timing must be synchronized with the production machine.

適用機型 Application

適用各型機床：壓鑄機、塑膠射出機、成品輸送專用。

Compatible with die casting machines, plastic injection machines, etc. for conveying goods.



工件清洗機 RSWC301

Workpiece Cleaner

特點：

- 1.符合歐洲安規CE標準認證，安全無虞。
- 2.機體使用高張力鋼板，增強抗拉強度。
- 3.將工件由入料口倒進滾筒，進行工件與切屑分離。
- 4.滾筒與工件輸送帶間，共設有五道噴嘴，在清洗過程中沖去工件表面的切屑、髒汙。
- 5.藉由滾筒的轉動，能有效的將工作與切屑分離，並由下方除屑機，將細小切屑排除，省去人工拆解除屑之麻煩。
- 6.依客戶機台尺寸設計規劃。

RSWC301

Features :

- 1.CE approved.
- 2.High tension steel belt.
- 3.Workpieces and chips separated in the drum.
- 4.5 powerful nozzles between the drum and workpiece spray workpiece surface clean of chips and dirt.
- 5.Roller sweeps off fine waste from workpieces for lower conveyor to carry away, waving manual labor.
- 6.Flexible design dimensions.



規格尺寸 Specifications

機型 Type	RSWC301
減速馬達 Motor	1/8HP 4P 三相 速比：1/165S 1/8 HP 4P 3 PHASE RATIO: 1/165S
電壓 Voltage (V)	220V/380V/400V/415V
赫茲 Hertz (H)	50HZ/60HZ
輸送速度 Speed	2 m/min
運轉控制 Work control	連續運轉，速度可自行調整 Continuity (Speed could be controlled)

訂購明細資料 Order Table

為了配合貴公司之工作母機，請提供下列資料：
In order to adjust your workplace, please offer the data mentioned:

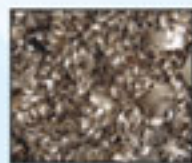
適用切屑種類 Suitable Chip Types



非捲屑
Non-curly Chip



銅屑
Brass Chip



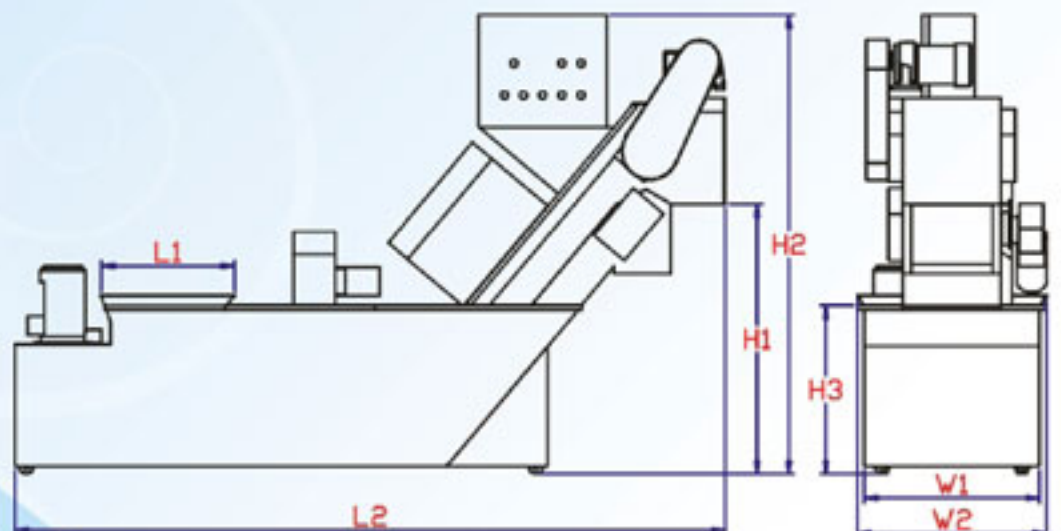
鋁屑
Aluminum Chip



鐵屑
Iron Powder



鑄鐵屑
Foundry Chip



	L1	L2	W1	W2	H1	H2	H3
RSWC301							

注意：此排屑機應與母機同運轉。
Note: Conveyor timing must be synchronized with the production machine.



RING SUN

日映順機械板金有限公司

RING SUN MACHINERY CO., LTD.

648 雲林縣西螺鎮大新里207-1號

No.207-1, Dasin Village, Siluo Township, Yunlin County 648, Taiwan

TEL: 05- 5868598 / 05-5878345 FAX: 05- 5878329

<http://www.ringsun.com.tw>

E-mail : rin.sun@msa.hinet.net

RING SUN