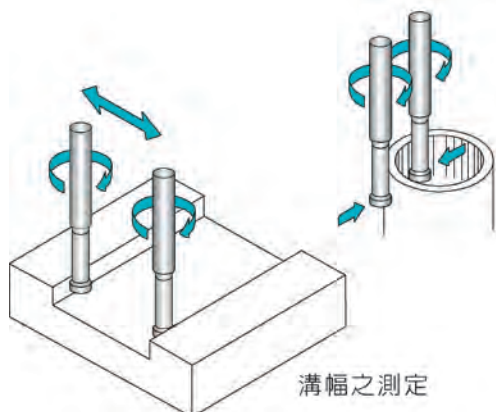
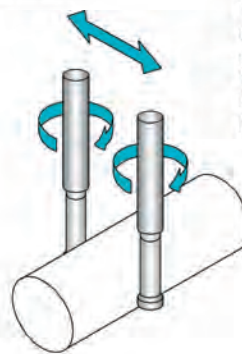
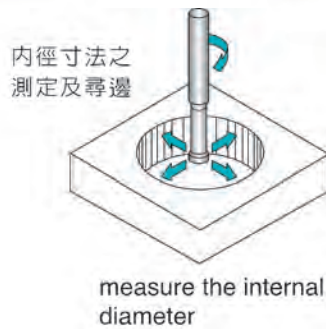
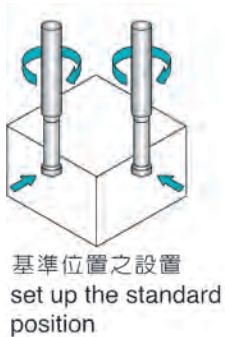
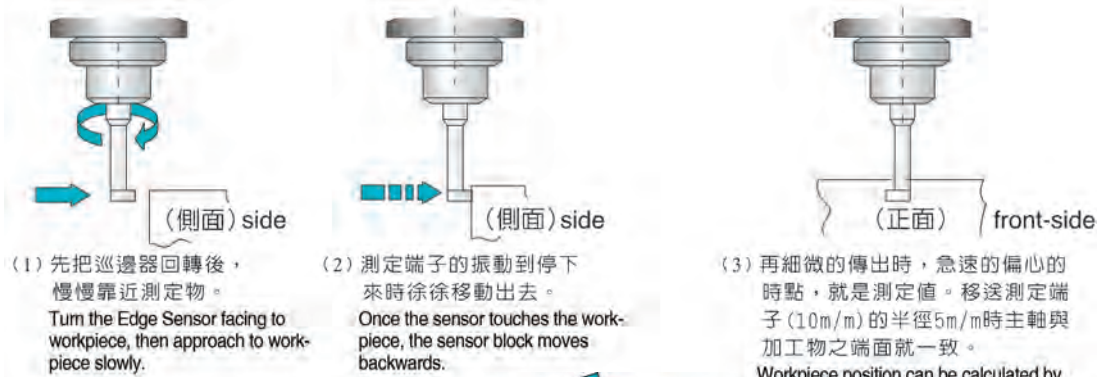
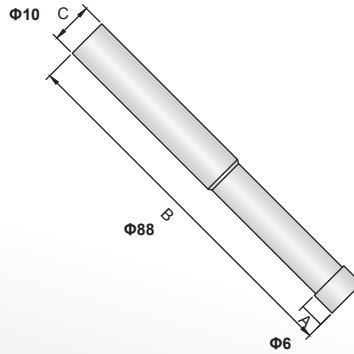


# MEP

型 CERAMIC EDGE FINDER



MEP-10



※MEP 型：具有不導磁之特性，前端使用全陶瓷之材質  
※精度：0.005 mm

※MEP TYPE: The mep type is nonmagnetic, and the front tip wholly made of ceramic.

※Accuracy: 0.005 mm

Ceramic [陶瓷] HV:1350°

單位/Unit:mm

ORDER NO.	TYPE	G.W. weight kgs	包裝尺寸 L x W x H
08420010	MEP-10(W)	0.06	120 x 45 x 25
08420010	MEP-10(B)	0.06	120 x 45 x 25