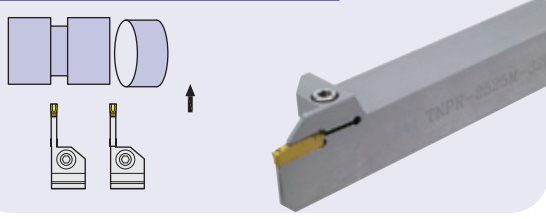
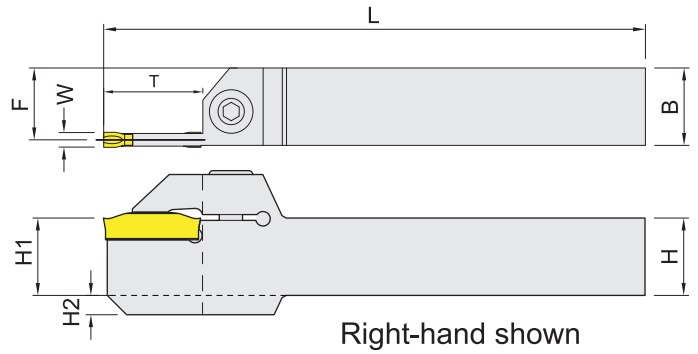


TNP



功能：開槽 Grooving / 切斷 Cut-Off



內徑車刀
BORING BARS

外徑車刀
TOOLHOLDERS

牙刀及開槽刀
THREADING & GROOVING

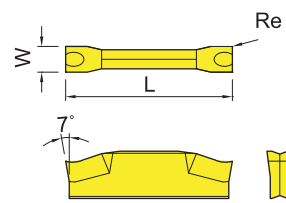
銑刀
MILLING

孔加工
BORING TOOLS COMPONENTS

配件
SPARE PARTS

Item code	Dimensions,mm						Width W(mm)	Insert	Screw	Wrench	Weight Kg
	H(H1)	B	L	F	T	H2					
TNPR/L-1616K-320T	16	16	125	14.85	20	4	3.05	TN300..	HTMT525	ETL25	0.27
TNPR/L-2020K-320T	20	20	125	18.85		--					0.42
TNPR/L-2525M-320T	25	25	150	23.85		--					0.78

被切削材 Workpiece material	Steel 鋼	P	●
	Stainless steel 不銹鋼	M	●
	Cast iron 鑄鐵	K	
	Non-ferrous metal 非鐵金屬	N	

Insert Shape	Description	GRADE 材質	Dimensions,mm			
		Coated 塗層	W	L	Re	K°
		5820				
	TN300/00G2N48	●	3.05	20	0.2	--