

The 4th Axis Direct Drive Motor Series

- Pneumatic Brake



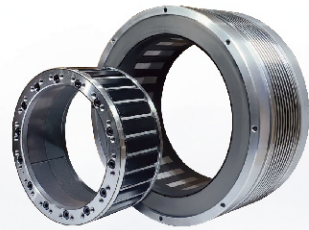
AD-170
without faceplate



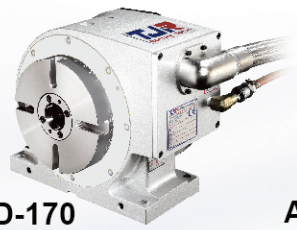
AD-261iB-FA-CZ
FANUC DDM



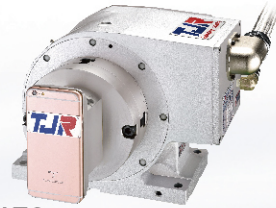
AD-260iB
without faceplate
(Standard with faceplate)



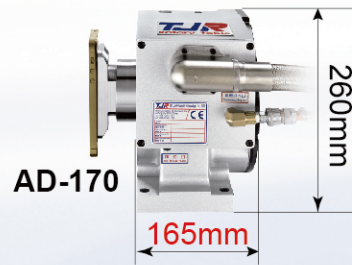
D.D. Motor
(200 rpm)



AD-170
with faceplate



AD-170
(Ex: Machining cell phone)



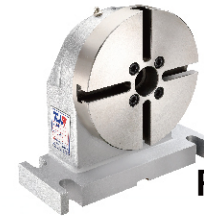
AD-170

165mm

260mm



RT-135



RT-170F

Support table without brake

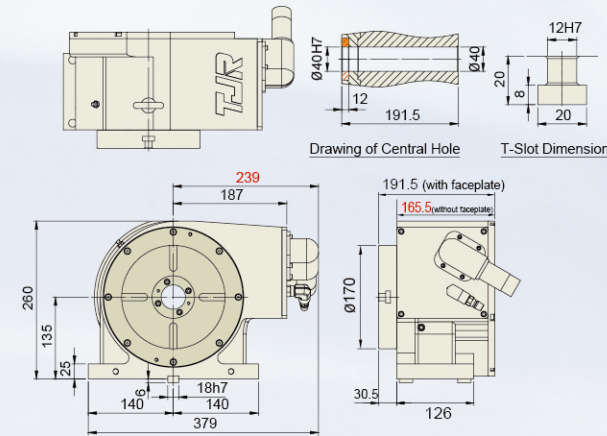


AD-260iB + support table + fixture plate

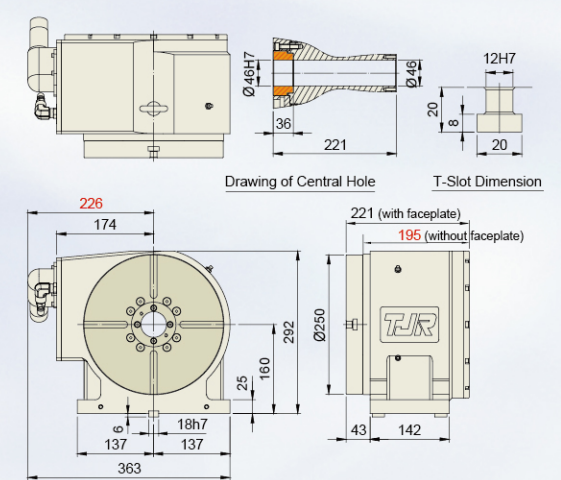
While using **DDM** rotary table, it's recommended to employ table **without faceplate** and simplified support table. Thus, it can increase the available loading capacity for fixtures and workpieces.

Item	Unit	AD - 170	AD - 210	AD - 260iB	AD-261iB-FA-CZ	
Table Diameter	mm	Ø170	Ø210	Ø250	Ø250	
Diameter of Table Central Hole	mm	-	-	-	-	
Inner Diameter of Mandrel Sleeve	mm	Ø40H7	Ø40H7	Ø46H7	Ø46H7	
Diameter of Center Through Hole	mm	Ø40	Ø40	Ø46	Ø46	
Center Height (Vertical)	mm	135	160	160	160	
Table Height (Horizontal)	mm	-	-	-	-	
Table T-slot Width	mm	12H7	12H7	12H7	12H7	
Guide Block Width	mm	18h7	18h7	18h7	18h7	
Cooling System	-	Free Cooling	Free Cooling	Free Cooling / Oil Cooling	Free Cooling / Oil Cooling	
Min. Increment	deg.	0.001	0.001	0.001	0.001	
Indexing Precision	sec.	20	20	20	20	
Repeatability	sec.	4	4	4	4	
Clamping System (Pneumatic)	kgf/cm ²	6	6	6	6	
Clamping Torque	Nm	310	310	450 (Powerful)	450 (Powerful)	
Servo Motor Model	-	DD Motor	DD Motor	DD Motor	FANUC DD Motor	
Speed Reduction Ratio	-	Direct Drive	Direct Drive	Direct Drive	Direct Drive	
Rated / Max. Speed	r.p.m	150 / 200	150 / 200	150 / 200	200 / 300	
Rated / Max. Cutting Torque	Nm	48 / 143	48 / 143	48 / 143	46(Oil Cooling 62)/143	
Allowable Inertia Load Capacity	kg·cm·sec ²	1.08	1.65	4.68	7.8	
Allowable Workpiece Load (dynamic)	Vertical	kg	30	30	60 (Rated Speed)	
	with Tailstock	kg	70	70	100 (Rated Speed)	
Allowable Load (with clamping)	Horizontal	kg	-	-	-	
	F	N	8000	8000	10000	10000
	FxL	Nm	105	105	231	231
	FxL	Nm	310	310	450	450
Net Weight (D.D motor included)	kg	55	61	84	90	
Electrical Specification						
Encoder	-	Subject to demand and controller	Subject to demand and controller	Subject to demand and controller	Subject to demand and controller	
Voltage (Back E.M.F)	Vrms/100rpm	67.2	67.2	67.2	-	
Rotor Poles	-	44	44	44	28	
Rated / Max. Current	Arms	4.4 / 13.2	4.4 / 13.2	4.4 / 13.2 (Free Cooling) 11.8 / 34.5 (Water Cooling)	9.3/56.6	
Power Rating	KW	0.75	0.75	0.75 / 1.9 (Water Cooling)	-	

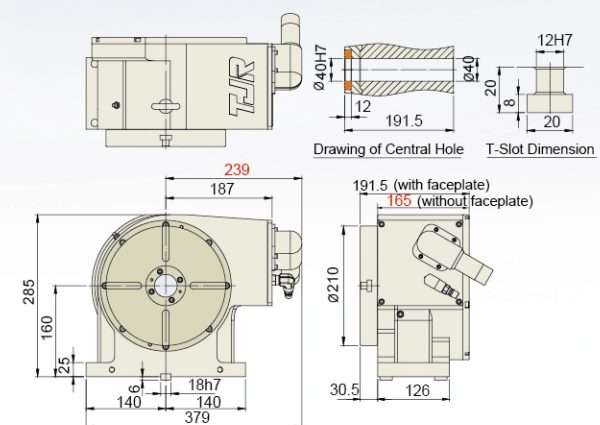
AD-170 Direct Drive (200 rpm)



AD-260iB Direct Drive (200 rpm)



AD-210 Direct Drive (200 rpm)



AD-261iB-FA-CZ Direct Drive (300 rpm)

