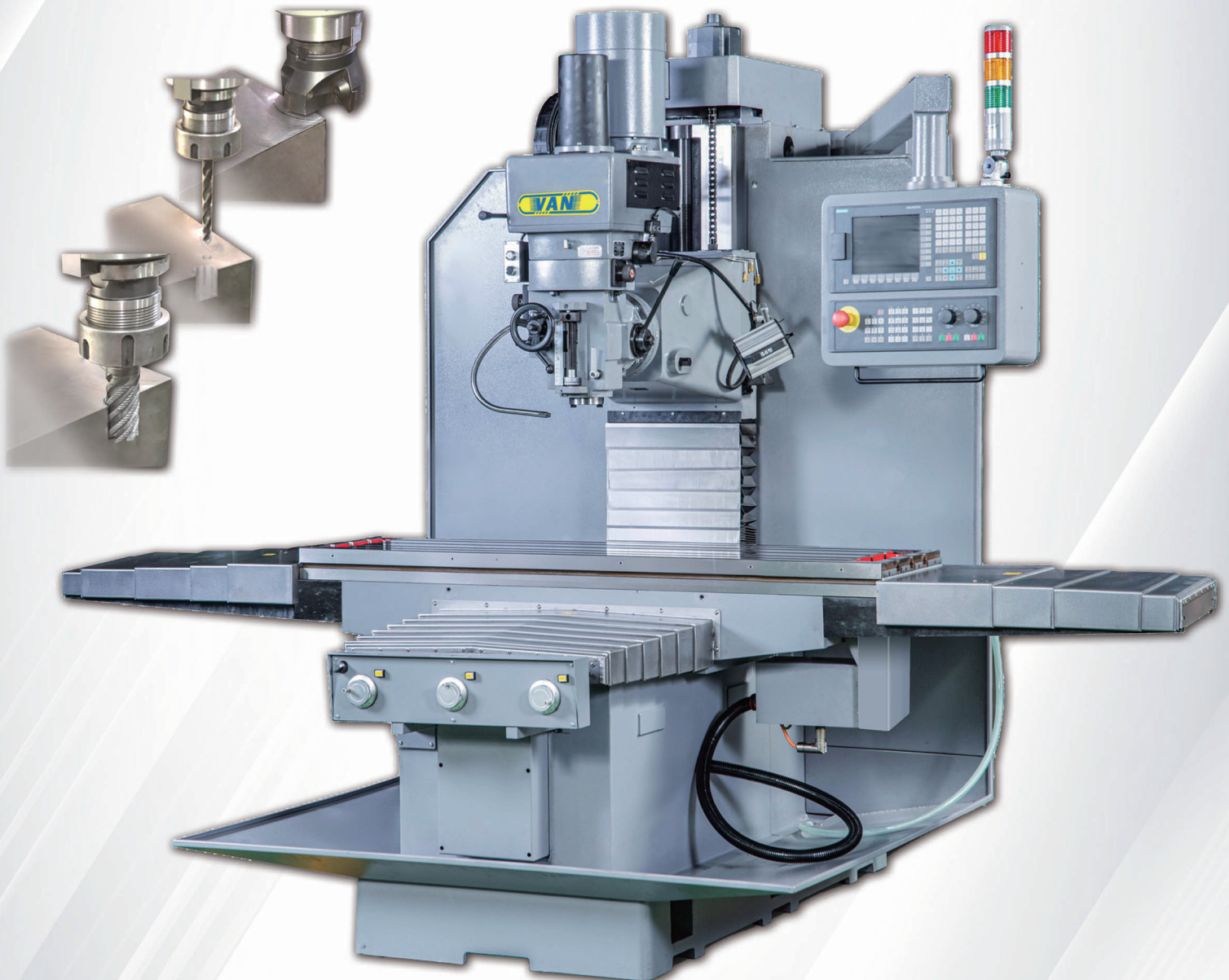




YING SHUN
MACHINERY INDUSTRY CO., LTD.

CNC Bed Type Milling Machine

YSM-VB600S SERIES

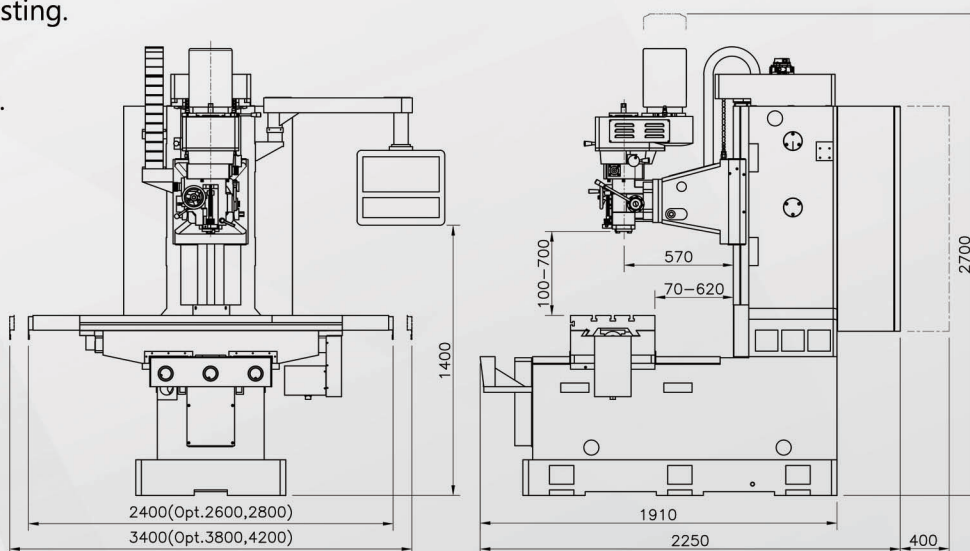


MECHANICAL FEATURE

- Controller Type: FANUC/SIEMENS/SYNTEC/FAGOR.
- The main casting part is made of meehanite casting.
- Inverter type used YASKAWA VFD
- X/Y/Z axis with servo motor (Z-axis with brake).
- X/Y/Z axis uses a double-nut ball screw.



MECHANICAL DIMENSIONS



SPECIFICATONS AND ACCESSORIES

Model	Unit	VB600SE	VB600ST
Travel			
X axis travel	mm	1000(Opt.1200/1400)	
Y axis travel	mm	550	
Z axis travel	mm	600	
Slideway X/Y/Z	type	△ / □ / □	
Quill travel	degree	140	
Quill swivel (R&L)	degree	±45	
Table			
Dimension	mm	1400x450(Opt.1600x450)	
T-slots (WxNxP)	mm	18x3x100	
Spindle			
Speed	rpm	55-4200	55-3600
Vertical feeds	mm/rev	0.04/0.08/0.15	
Main Taper	type	NT40	
Quill Diameter	mm	105	110
Motor			
Main spindle	HP	5 (Opt.7.5)	
		0.94/0.94/0.94 (SIEMENS 828D)	
X/Y/Z axis	KW	1/1/1 (SYNTEC 6MA-E)	
		1/1/1 (FAGOR 8055i FL)	
		1.2/1.2/1.2 (FANUC Oi-MF PLUS)	
Feedrate			
X/Y/Z axis speed	mm/min	0-3000	
X/Y/Z axis rapid	mm/min	5000	
Machine			
Net Weight	kg	3500	

Standard accessories

- Draw bar
- Tool box and tools
- steel cover on X axis
- Front steel cover on Y axis
- Front finned bellows cover on Y axis
- Below finned bellows cover on Z axis
- Working lamp & 3-color signal lamp
- Auto lubrication system
- Heat exchanger for electrical cabinet
- Manual Pulse Generator (MPG)
- Deluxe type operation panel
- XYZ-axis double nut ball screw
- XYZ-axis absolute pulse coder feedback
- Rear splash guard
- Chip tray
- Coolant system(Pump 1/4HP)

Optional accessories

- Power drawbar
- Working table splash guard
- Above finned bellows cover on Z axis



YING SHUN MACHINERY INDUSTRY CO., LTD.

All specification, dimension and design characteristics shown in this catalogue are subject to change without notice.

No.5,Aly.162,Ln.136,Sec.1,Jiahou Rd.,Houli Dist., Taichung City 421,Taiwan(R.O.C.)

TEL:+886-4-25586346

ys@yingshun.com.tw

FAX:+886-4-25586930

<https://www.yingshun.com.tw>