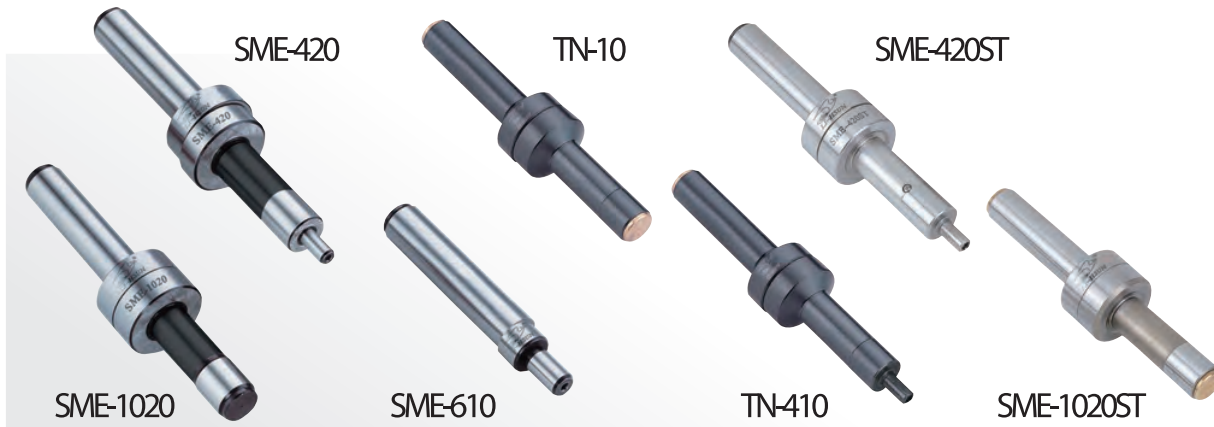


# 偏心式尋邊器

## MACHANICAL EDGE FINDER

# SME

型 MACHANICAL EDGE FINDER



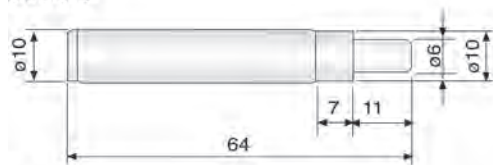
### ● 產品資訊：

- Ø10mm的直柄可安裝於切削夾頭或鑽夾頭上(參考圖1)
- 請以手指輕壓測定子的側邊，使其偏心0.5mm(參考圖2)
- 使其以400-600rpm的速度轉動。
- 如(圖2)所示使測定子與加工物的端面相接觸，一點一點地碰觸移動，就會變成如(圖3)所示，測定子不再振動，宛如靜止的狀態接著，以更細微的進給來碰觸移動的話，測定子就會如(圖4)所示，開始朝一定的方向滑動。這個滑動起點就是所要尋求的基準位置。
- 加工物本身的端面位置，就是加上測定子半徑5mm的座標位置
- 精度：0.005 mm

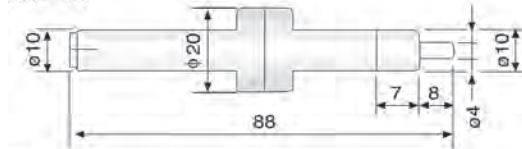
### FEATURES

1. Ø10mm straight shank can be installed directly on milling chuck or drilling chuck. (refer to Fig. 1).
2. Press slightly on edge of sensor unit with hands to keep eccentricity at 0.5mm (refer to Fig. 2).
3. Rotate with speed of 400-600 rpm.
4. Make sensor unit contact to the end face of workpiece shown as Fig. 2. Then, contact and move gradually, it is going to turn into Fig. 3 and sensor unit keeps still. Furthermore, if fine feed is started, then sensor unit will move according to a specific direction. The start point of this movement is the basis position to look for.
5. The position of end face of the workpiece is the coordinate position of sensor unit plus radius 5mm.
6. Accuracy: 0.005 mm

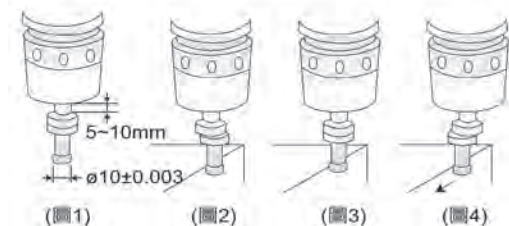
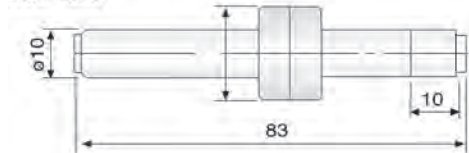
SME-610



SME-420



SME-1020



### ● 注意事項

1. 請勿使用其彎曲或勉強拖拉。
2. 勿使滑動面沾附異物飛塵。
3. 使用時，轉速請勿超過600rpm。
4. 不適合在橫式的機器上使用。

### Cautions

1. Do not use the bend part or to drag or pull with force.
2. Never let impurities or foreign things stain on the slide face.
3. While using, be sure the speed not over 600rpm.
4. Never apply it on machine of horizontal type.

Steel:Cr-Mo, Alloy Steel (鉻鉬鋼) HRC:58°

單位/Unit:mm

ORDER NO.	TYPE	G.W. weight kgs	包裝尺寸 L x W x H
08400610	SME-610	0.04	95 x 26 x 26
08400420	SME-420	0.07	95 x 26 x 26
08401020	SME-1020	0.07	95 x 26 x 26

Material by Stainless Steel(不鏽鋼) HRC:60°

單位/Unit:mm

ORDER NO.	TYPE	G.W. weight kgs	包裝尺寸 L x W x H
08410420	SME-420ST	0.07	95 x 26 x 26
08411020	SME-1020ST	0.07	95 x 26 x 26

TN型：具有不倒磁之特性塗層處理，硬度HV 2500°

TN Type: Coated surface with nonmagnetic characteristic, the hardness is HV 2500°

單位/Unit:mm

ORDER NO.	TYPE	G.W. weight kgs	包裝尺寸 L x W x H
08401100	TN-10	0.08	120 x 45 x 25
08401410	TN-410	0.08	120 x 45 x 25