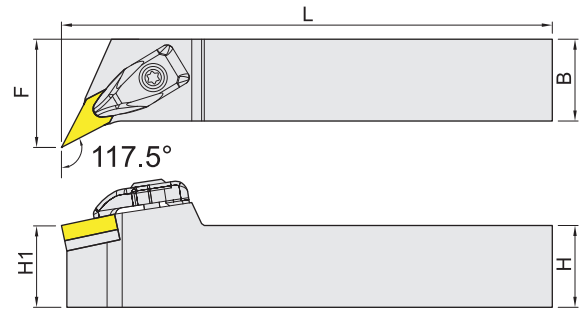


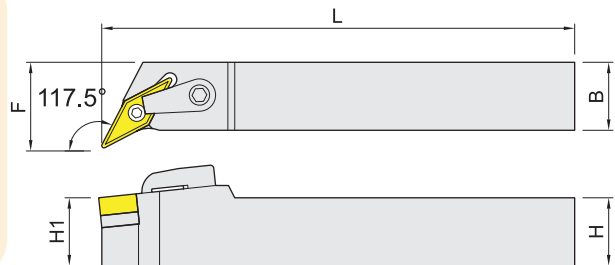
DVQN



Right-hand shown

Item code	Dimensions,mm				Insert	Shim	Screw	Wrench	Clamp	Wrench	Weight Kg
	H(H1)	B	L	F							
DVQNR/L-2020K-16	20	20	125	25	VN..1604..	VMS322	MDS050H65T	PL35	MCD331	ETL20	0.45
DVQNR/L-2525M-16	25	25	150	32							0.84
DVQNR/L-3232P-16	32	32	170	40							1.51

MVQN



Right-hand shown

Item code	Dimensions,mm				Insert	Pin	Shim	Wrench	Screw	Clamp	Wrench	Weight Kg
	H(H1)	B	L	F								
MVQNR/L-2020K-16	20	20	125	25	VN..1604..	MLP34L-A	VMS322	PL20	MS625TX	MC622	ETL15	0.45
MVQNR/L-2525M-16	25	25	150	32					MS630TX			0.84
MVQNR/L-3232P-16	32	32	170	40					1.51			

內徑車刀
BORING BARS

外徑車刀
TOOLHOLDERS

牙刀 & 開槽刀
THREADING & GROOVING

銑刀
MILLING

孔加工
BORING TOOLS COMPONENTS

配件
SPARE PARTS