

# 自動式傳動頂針

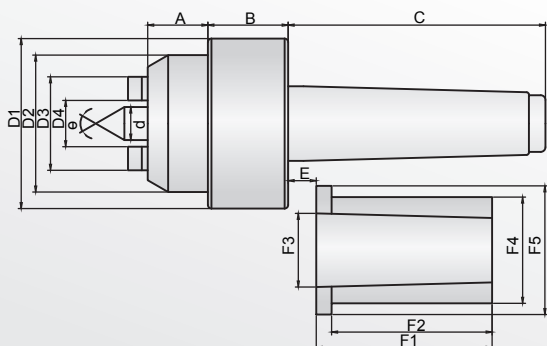
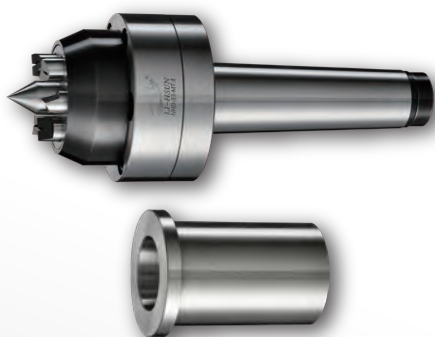
## AUTO ADJUSTABLE TRANSMISSION CENTER



www.lihsun.com

# NHD

## 型 TRANSMISSION CENTER



型號 TYPE	心軸尺寸 Center Shaft Size	外徑尺寸 Outer Dia.	工作範圍 Working Range
NHD-31 MT.4	Φ 5	Φ16	Φ12-Φ20
NHD-32 MT.4	Φ 9	Φ25	Φ18-Φ35
NHD-33 MT.4/MT.5	Φ14	Φ39	Φ30-Φ55
NHD-34 MT.4/MT.5	Φ18	Φ53	Φ40-Φ70

### ※ 適用車床、CNC車床

1. 適用於端面不平的加工物，加工時，頂針之5T、6T會自動調整受力點，使加工物件能平均受力
2. 內部結構為強力優力膠設計，使頂針有較好的耐用性，不易破碎。在維修方面，也較容易更換。
3. 精度: 0.008mm

### ※ Suitable for LATHE & CNC LATHE

1. Suitable for the asperities of the workpieces. The auto adjustable transmission center with 5T and 6T design on end surface is able to adjust the stress point so that the workpieces will be done easily.
2. The inside structure of the center is comprised of PU. It is nearly free of break-down and is durable and easy to fix.
3. Accuracy : 0.008mm

※由於手工測量，尺寸與實際產品尺寸略有不同，並非瑕疵。

The size is slightly different from the actual product size due to the manual measurement, which is not a defect.

單位/Unit:mm

MORSE TAPER MT/MK	A	B	C	D1	D2	D3	D4	d	θ		E	F1	F2	F3	F4	F5
NHD31 MT.4	21	14	109	42	33.5	16.7	6.7	5	60	套筒 SLEEVE	10	74.5	68	31.2	45	54.5
NHD32 MT.4	20	18	109	52	42	26.5	12.5	9	60		10	74.5	68	31.2	45	54.5
NHD33 MT.4	25	34	109	72	58	39.5	19.5	14	60		10	74.5	68	31.2	45	54.5
NHD34 MT.4	28	42.5	109	82	81.5	53.5	27.5	18	60		10	74.5	68	31.2	45	54.5

