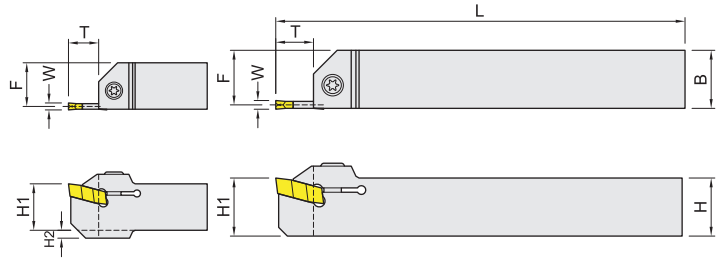
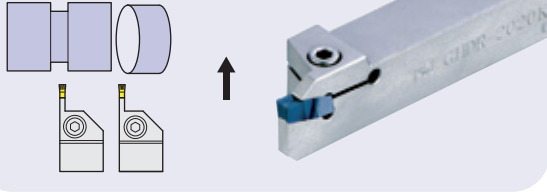


GHD

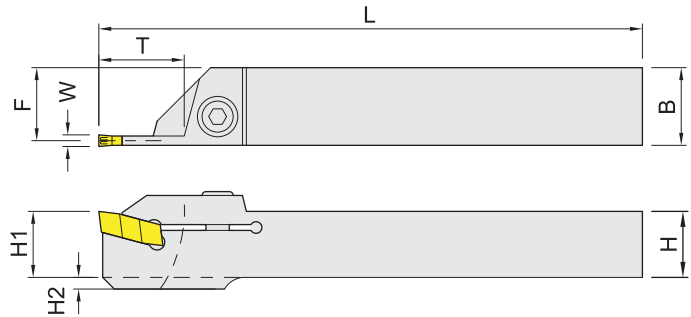
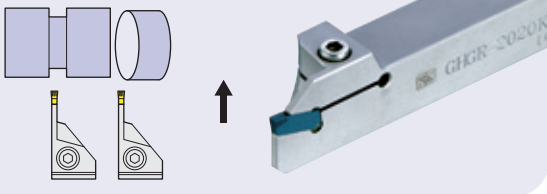


GHDR-1616K

Right-hand shown

Item code	Dimensions,mm						Width W(mm)	Insert	Screw	Wrench	Weight Kg
	H(H1)	B	L	F	T	H2					
GHDR-1616K-3-10L	16	16	125	14.8	10	4	2.8~4	GIP...	HTMT525	ETL25	0.27
GHDR/L-2020K-3-10L	20	20	125	18.8		--		GIF...			0.42
GHDR/L-2525M-3-10L	25	25	150	23.8		--		GIMF...			0.78
GHDR/L-2020K-4-10L	20	20	125	18.4		--	4~5	GIMY...			0.42
GHDR/L-2525M-4-10L	25	25	150	23.4		--					0.78
GHDR-2020K-5-12L	20	20	125	17.9	12	--	5~6.4				0.42
GHDR-2525M-5-12L	25	25	150	22.9		--					0.78

GHG



Right-hand shown

Item code	Dimensions,mm						Width W(mm)	Insert	Screw	Wrench	Weight Kg
	H(H1)	B	L	F	T	H2					
GHGR-1616K-2-20L	16	16	125	15.2	20	4	2.2~2.4	GIP...	HTMT525	ETL25	0.27
GHGR-2020K-2-20L	20	20	125	19.2		--		GIF...			0.42
GHGR-2525M-2-20L	25	25	150	24.2		--		GIMF...			0.78
GHGR/L-1616K-3-20L	16	16	125	14.7		4	3~4	GIMY...	HTMT525		0.27
GHGR/L-2020K-3-20L	20	20	125	18.7		--					0.42
GHGR/L-2525M-3-20L	25	25	150	23.7		--					0.78
GHGR-2020K-4-20L	20	20	125	18.2		--	4~5				0.42
GHGR/L-2525M-4-20L	25	25	150	23.2		--					0.78
GHGR/L-2020K-4-25L	20	20	125	18.2	25				HTM625	PL50	0.42
GHGR/L-2525M-4-25L	25	25	150	23.2					HTM630		0.78