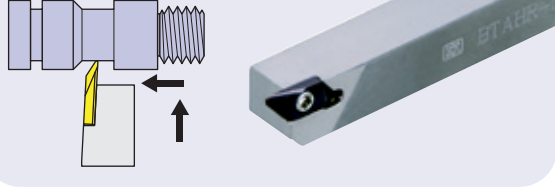
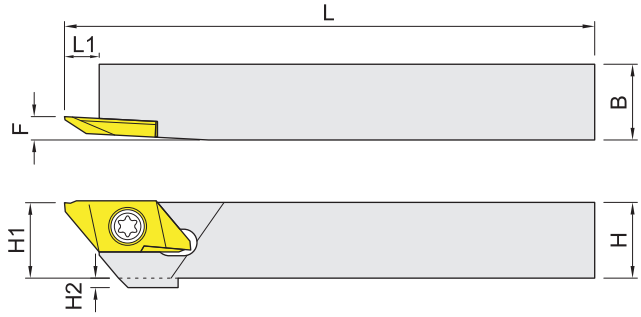



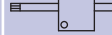
BTAH



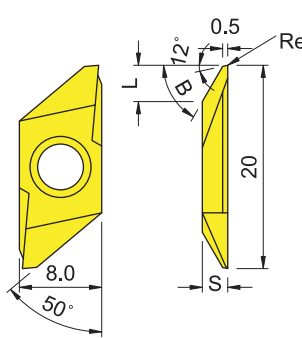
功能：後掃 Back turning



Right-hand shown

Item code	Dimensions,mm						Insert	Screw 	Wrench 	Weight Kg
	H (H1)	B	L	L1	F	H2				
BTahr/L-1010K-50	10	10	125	5.5	3.5	2	BTAT5528..R/L-B BTAT6035..R/L-B	MS4009A	ETF15	0.10
BTahr/L-1212K-50	12	12	125	5.5	3.5	--		MS4011A		0.14
BTahr/L-1616K-50	16	16	125	5.5	3.5	--				0.25

被切削材 Workpiece material	Steel 鋼	P	●
	Stainless steel 不銹鋼	M	●
	Cast iron 鑄鐵	K	●
	Non-ferrous metal 非鐵金屬	N	●

Insert Shape	Description	GRADE 材質		Dimensions,mm			
		Coated 塗層		B	L	S	Re
		NW948					
 <p>Right hand</p>	BTAT552800R-B		55°	2.8	2.5	0.0	
	BTAT552801R-B	●	55°	2.8	2.5	0.1	
	BTAT603500R-B		60°	3.5	2.5	0.0	
	BTAT603501R-B	●	60°	3.5	2.5	0.1	
	BTAT603501L-B	●	60°	3.5	2.5	0.1	