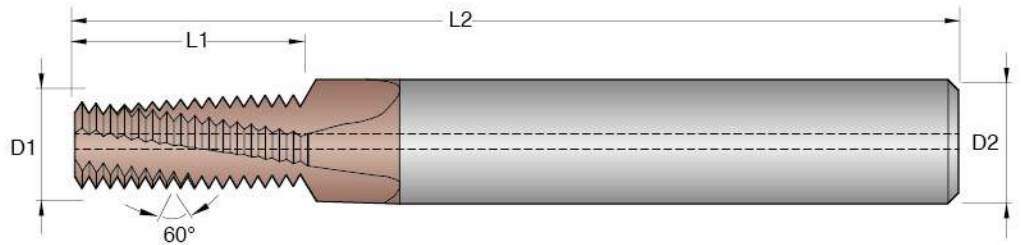


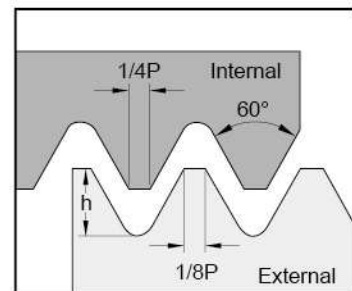
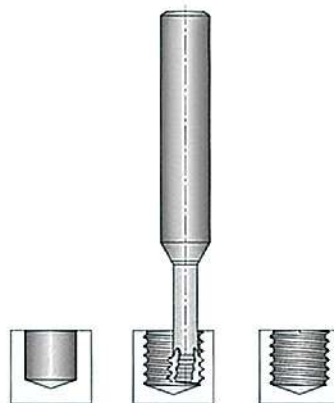
# EMTH



## 螺紋銑刀

► Internal Threading / Helical Flutes / Hole Coolant / for **H P K M S N** unit: mm

型號 Order No.	螺紋規格 Thread Size	直徑 Diameter D1	刃長 Flute Length L1	全長 O.A.L. L2	柄徑 Shank Dia D2	刃數 Flute
EMTH 04P070	M4x0.7	3.1	7.4	50	6	3
EMTH 05P080	M5x0.8	3.8	9.2	50	6	3
EMTH 06P100	M6x1.0	4.6	10.5	50	6	3
EMTH 08P125	M8x1.25	6.0	14.4	50	6	3
EMTH 10P150	M10x1.5	7.8	17.3	60	8	3
EMTH 12P175	M12x1.75	9.0	20.1	75	10	3
EMTH 16P200	M16x2.0	11.8	27.0	75	12	3
EMTH 20P250	M20x2.5	15.0	33.8	100	16	4



Defined by: R262 (DIN 13)  
Tolerance class: 6g/6H