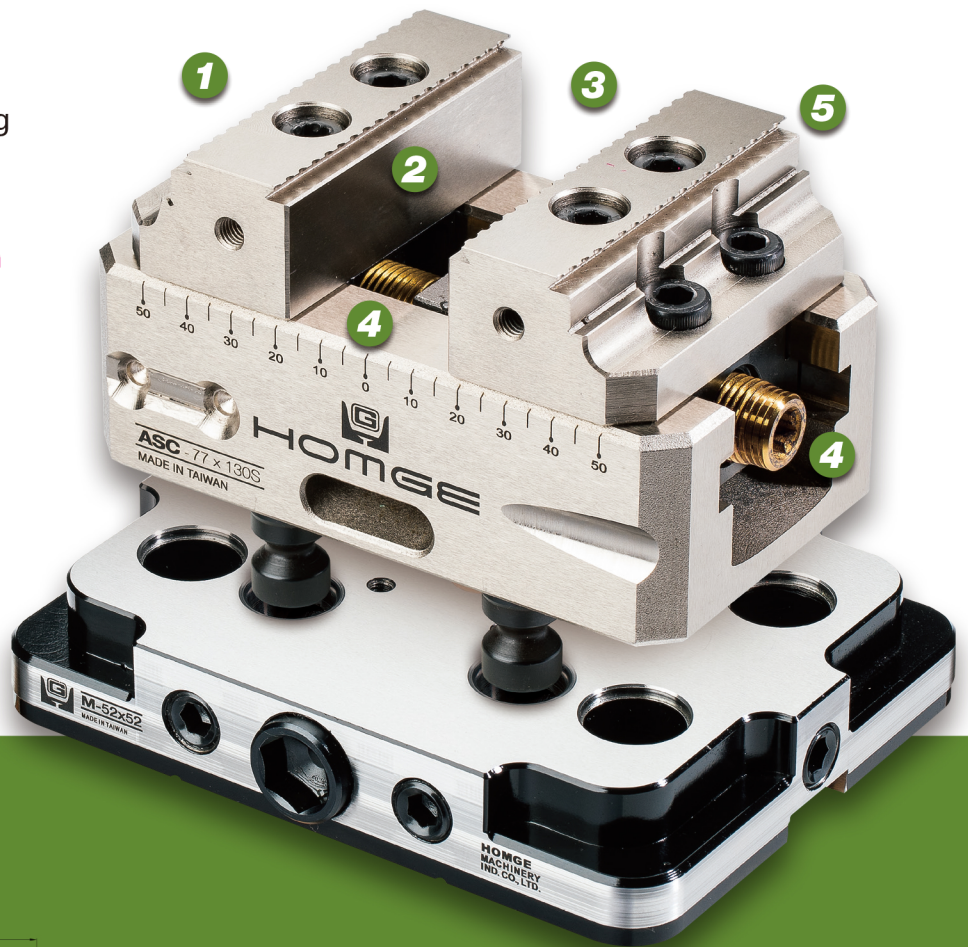


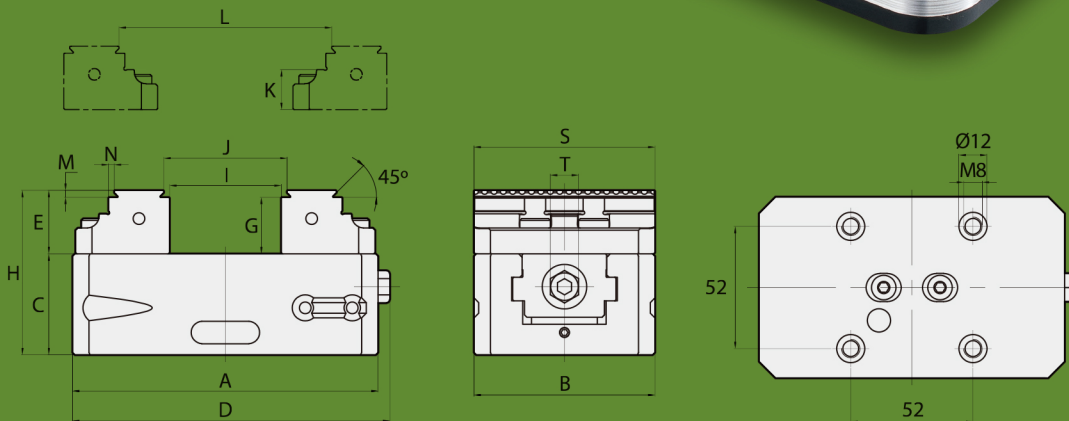
FIVE-AXIS ADJUSTABLE SELF-CENTERING VISE

Model: ASC-77x130S

1. Vise body is made of **High quality Steel (S50C)** and its slideways gone through high-frequency hardening to achieve **HRC50°**, which makes the whole part durable.
2. Detachable jaws are made of **High quality Tool Steel (SCM440)** and gone through carburizing to achieve **HRC55°**. Since both sides are fixed size and able to be used as a datum, users can reverse them to increase clamping range.
3. The vise's clamping force can achieve **1300KG**, the repeatability positioning precision of its clamping center is within **0.015mm**.
4. Users can calibrate the clamping center of vise by adjusting the screws on both ends.
5. The **45° dovetail structure with teeth** on the upper jaw ensures the bottom of the workpiece to be firmly clamped.



DIMENSIONS



SPECIFICATIONS | Material: Vise body S50C, HRC50° / Detachable Jaws SCM440, HRC55°

Unit: mm

Model	A	B	C	D	E	G	H	I	J	K	L	M	N	S	T	Weight (kg)
ASC-77x130S	130	77	43	135	27	24	70	57	62	17	100	3	2.5	77	12	3.5

OPTIONAL ACCESSORIES

MASTER PALLET (Base Plate)

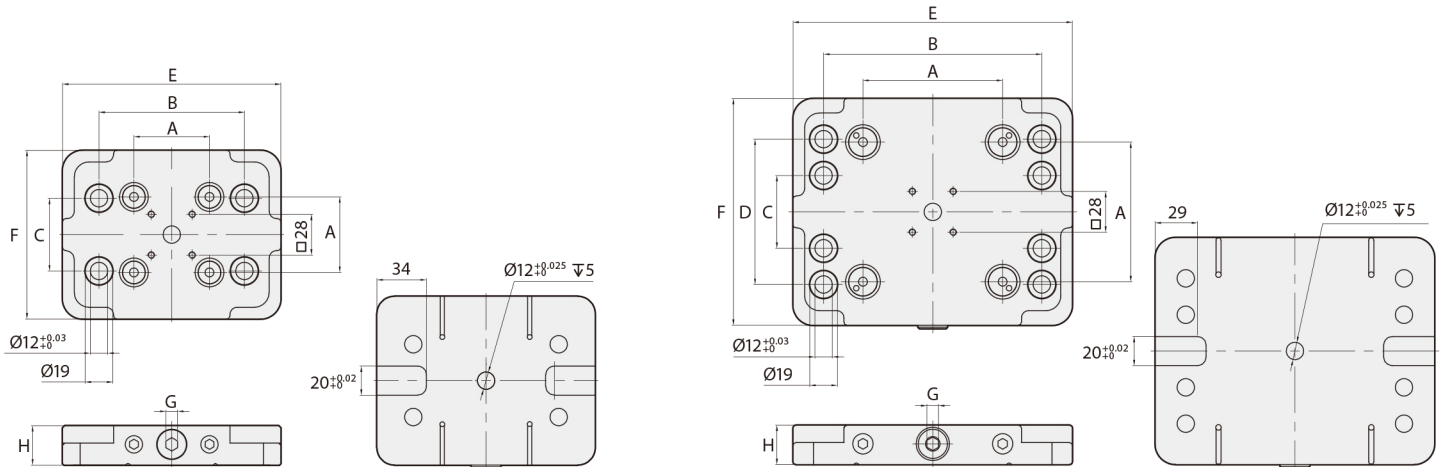
Model: M-52x52, M-96x96



M-52x52



M-96x96



SPECIFICATIONS

Unit: mm

Model	A	B	C	D	E	F	G	H	Weight (kg)
M-52x52	52±0.01	100±0.01	50±0.01	-	150	116	8	27±0.01	3
M-96x96	96±0.01	150±0.01	50±0.01	100±0.01	192	156	8	27±0.01	5.5

Pull Stud (for M-52x52)

Model: M-52x52PS

- 4pcs / set
- Weight: 0.16 kg / set



Pull Stud (for M-96x96)

Model: M-96x96PS

- 4pcs / set
- Weight: 0.28 kg / set

