

XHSP型鑽夾頭

XHSP TYPE KEYLESS DRILL CHUCK HEADS



LI-HSUN

www.lihsun.com

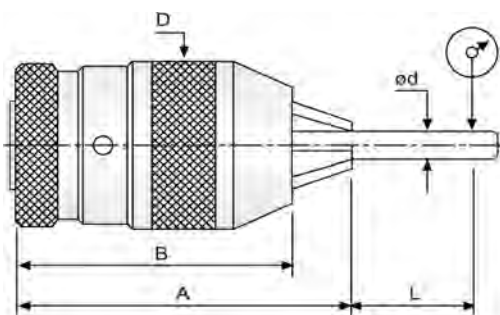
XHSP

型



精度與扭矩表

Run-out Accuracy & Torque Inspection Table



- 針對強扭矩場合的特殊設計和製造
- 先選的檢測儀器保證了優良的精度要求，夾緊力是其他同類產品的兩倍
- 配有鎖緊扳手，防止在使用過程中瞬間轉向改變而導致鑽頭脫落
- 特別適合於CNC中心機和銑床使用

■ TYPE: XHSP Keyless Drill Chucks

1. Special design & manufacture against for super heavy torque (Clamping capacity) use.
2. Owing to inspecting strictly & with excellent RUN-OUT accuracy and quality guaranteed the gripping power is double than the general brands.
3. Avoid the drill dropped when used in instantaneous change of direction and equipped with spanner for tightening perfect safety.
4. Especially suitable for CNC machining center & milling machine use.

單位/Unit:mm

型號/TYPE	d	L	跳動/RUN-OUT	扭矩/TORQUE
6XHSP	3	35	0.05	80
	6			
8XHSP	3	35	0.05	160
	8	50		
10XHSP	3	35	0.05	260
	10	60		
13XHSP	5	55	0.05	400
	10	75		
	13			
16XHSP	5	55	0.05	480
	10	80		
	16			

型號/TYPE	夾持能力/CLAMPING	錐孔或直柄類型	D	A	B	重量WT(g)	QTY Pcs/Cu-Ft	淨/毛重NW/GW(Kgs)
6XHSP	0.5~6.5 [1/64"~1/4"]	B12	34.0	69	61	320	8/0.6	26/27
		J1	34.0	69	61	320	8/0.6	26/27
		B10	34.0	69	61	320	8/0.6	26/27
8XHSP	0.5~8.0 [1/64"~5/16"]	J2S	34.0	69	61	320	40/0.6	13/14
		B10	34.0	69	61	320	40/0.6	13/14
		J1	34.0	69	61	320	40/0.6	13/14
10XHSP	0.5~10.0 [1/64"~3/8"]	B12	34.0	69	61	320	40/0.6	13/14
		J33	43.0	92	81	700	40/0.6	28/29
		J2	43.0	92	81	700	40/0.6	28/29
		J2S	43.0	92	81	700	40/0.6	28/29
		B12	43.0	92	81	700	40/0.6	28/29
13XHSP	0.5~13.0 [1/64"~1/2"]	B16	43.0	92	81	700	40/0.6	28/29
		J6	51.5	103	92	1030	30/0.6	31/32
		J2	51.5	103	92	1035	30/0.6	31/32
		J33	51.5	103	92	1035	30/0.6	31/32
16XHSP	3.0~16.0 [1/8"~5/8"]	B16	51.5	103	92	1030	30/0.6	31/32
		J6	58.0	108	95	1450	24/0.6	35/36
		J33	58.0	108	95	1450	24/0.6	35/36
		B16	58.0	108	95	1450	24/0.6	35/36
		B18	58.0	108	95	1450	24/0.6	35/36
扳手/KEY	8XHSP							
扳手/KEY	10XHSP							
扳手/KEY	13XHSP							
扳手/KEY	16XHSP							

