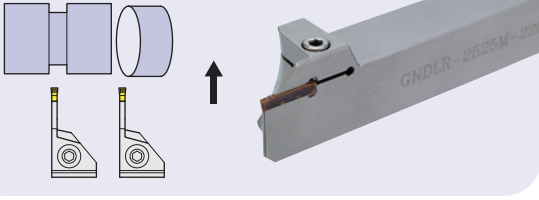
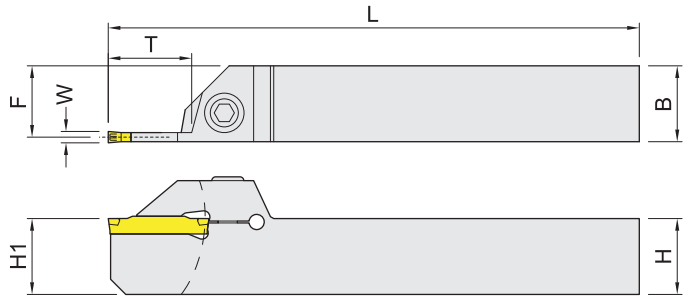


GNDL



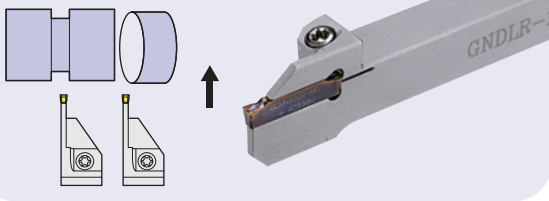
功能：開槽 Grooving / 切斷 Cut-off



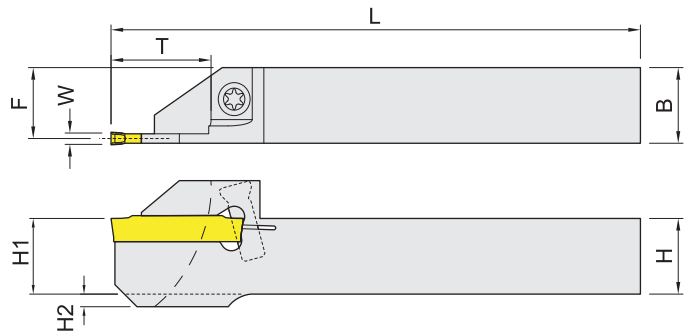
Right-hand shown

Item code	Dimensions,mm					Width W(mm)	Insert	Screw	Wrench	Weight Kg
	H(H1)	B	L	F	T					
GNDLR/L-2020K-220T	20	20	125	19.2	20	2.0	GCMN20...	HTMT525	ETL25	0.45
GNDLR -2525M-220T	25	25	150	24.2						0.84
GNDLR/L-1616K-320T	16	16	125	14.9	20	3.0	GCMN30...	HTMT520	HTMT525	0.24
GNDLR/L-2020K-320T	20	20	125	18.9						0.45
GNDLR -2525M-320T	25	25	150	23.9						0.84
GNDLR -2020K-420T	20	20	125	18.5	20	4.0	GCMN40...			0.45
GNDLR -2020K-425T	20	20	125	18.5	25					0.45
GNDLR -2525M-425T	25	25	150	23.5						0.84

GNDL..LH



功能：開槽 Grooving / 切斷 Cut-off



Right-hand shown

Item code	Dimensions,mm						Width W(mm)	Insert	Screw	Wrench	Weight Kg
	H(H1)	B	L	F	T	H2					
GNDLR/L-1212K-216LHT	12	12	125	11.25	16	2	2.0	GCMN20...	MS4013F	ETL15	0.15
GNDLR/L-1616K-216LHT	16	16	125	15.25	16	--					0.24
GNDLR/L-1212K-318LHT	12	12	125	10.95	18	2	3.0	GCMN30...			0.15

※ 走心式刀 SWISS-TYPE

※ 刀片請參考 103 頁 Please refer to page 103 for insert.