

替換式免夾頂針

WORK-DRIVING CENTER - CHANGEABLE TIPPED

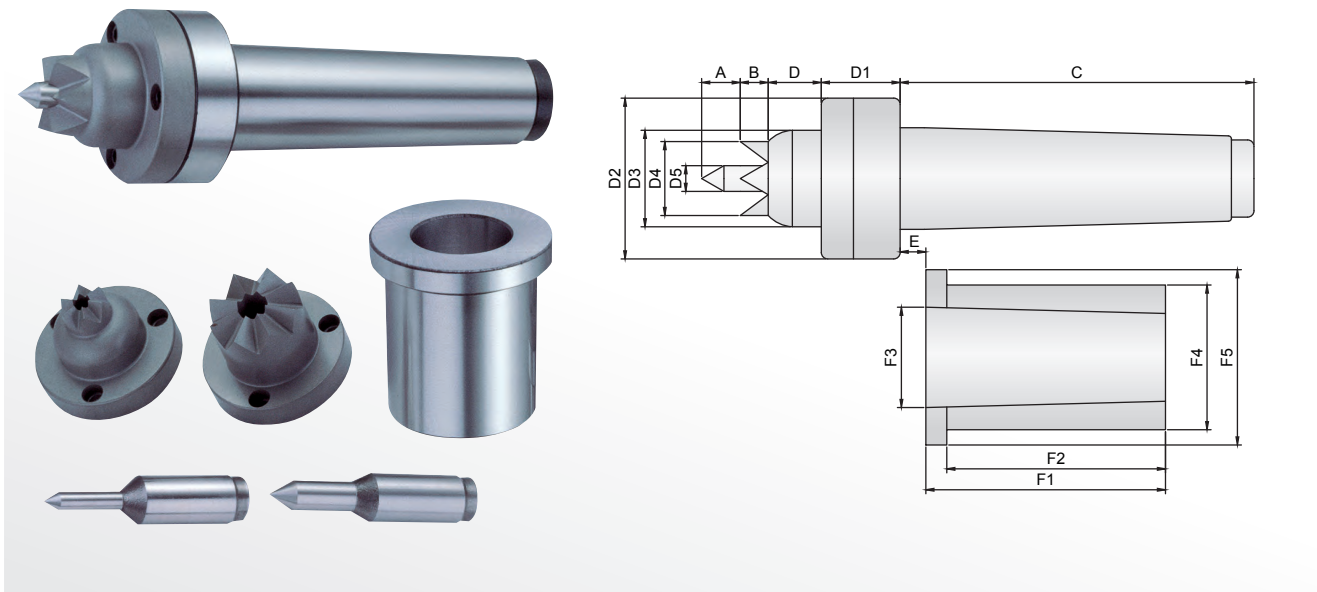


www.lihsun.com

DKS

型

WORK-DRIVING CENTER - CHANGEABLE TIPPED



1. 此型頂針因機械之結構，故障率低。經深冷熱處理 (HRC60°±1°)
2. 本體端面6T及8T之設計來頂住加工之端面，免用傳動夾，使加工更為方便、速度更快
3. 滾齒機械可適用
4. 精度: 0.008mm

1. Body and center shaft are made of alloy steel with heat and sub-zero treatment.
※ Hardened : HRC60°±1°.
2. Driving centers are either with 6 teeth or 8 teeth design for superseding the driving dogs. It supports the workpiece on the surface for easy setup and rapid machining.
3. Applicable for gear hobbing machine.
4. Accuracy: 0.008mm

※由於手工測量，尺寸與實際產品尺寸略有不同，並非瑕疵。

The size is slightly different from the actual product size due to the manual measurement, which is not a defect.

單位/Unit:mm

DKS301-MT.4	A	B	D	D1	C	D2	D3	D4	D5	E	工作範圍 Working Range
DKS-15 替換頭	12	8	17	24.5	110	50	30	16	6	8	Φ16-Φ25
DKS-23 替換頭	12	8.5	16.5	24.5	110	50	30	23	8	8	Φ23-Φ32
DKS-32 替換頭	12	9	16	24.5	110	50	32	32	10	8	Φ32-Φ45

選購附件 (Optional accessory)

套筒 SLEEVE	E	F1	F2	F3	F4	F5
	54.5	74.5	68	31.2	45	54.5