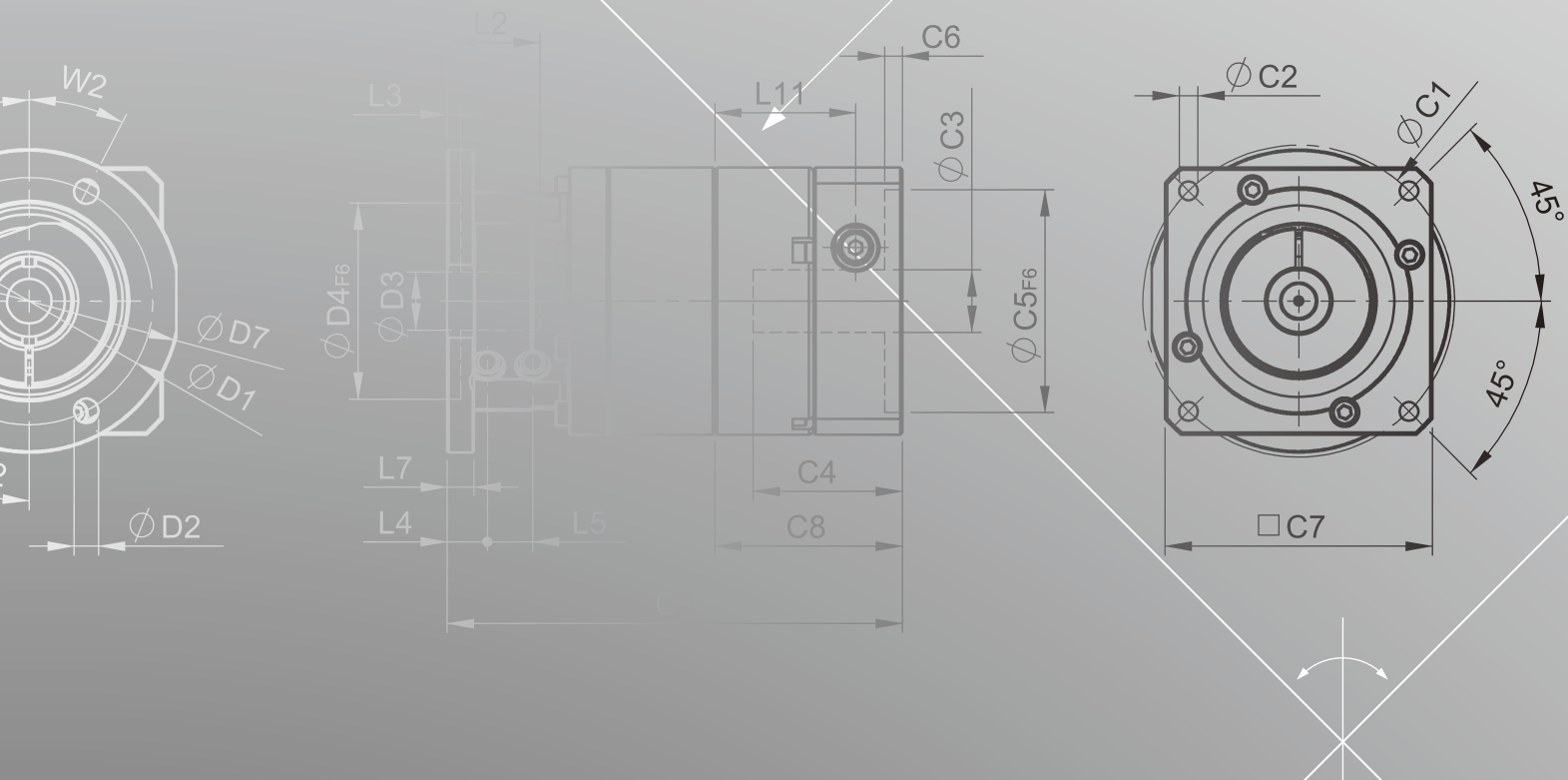
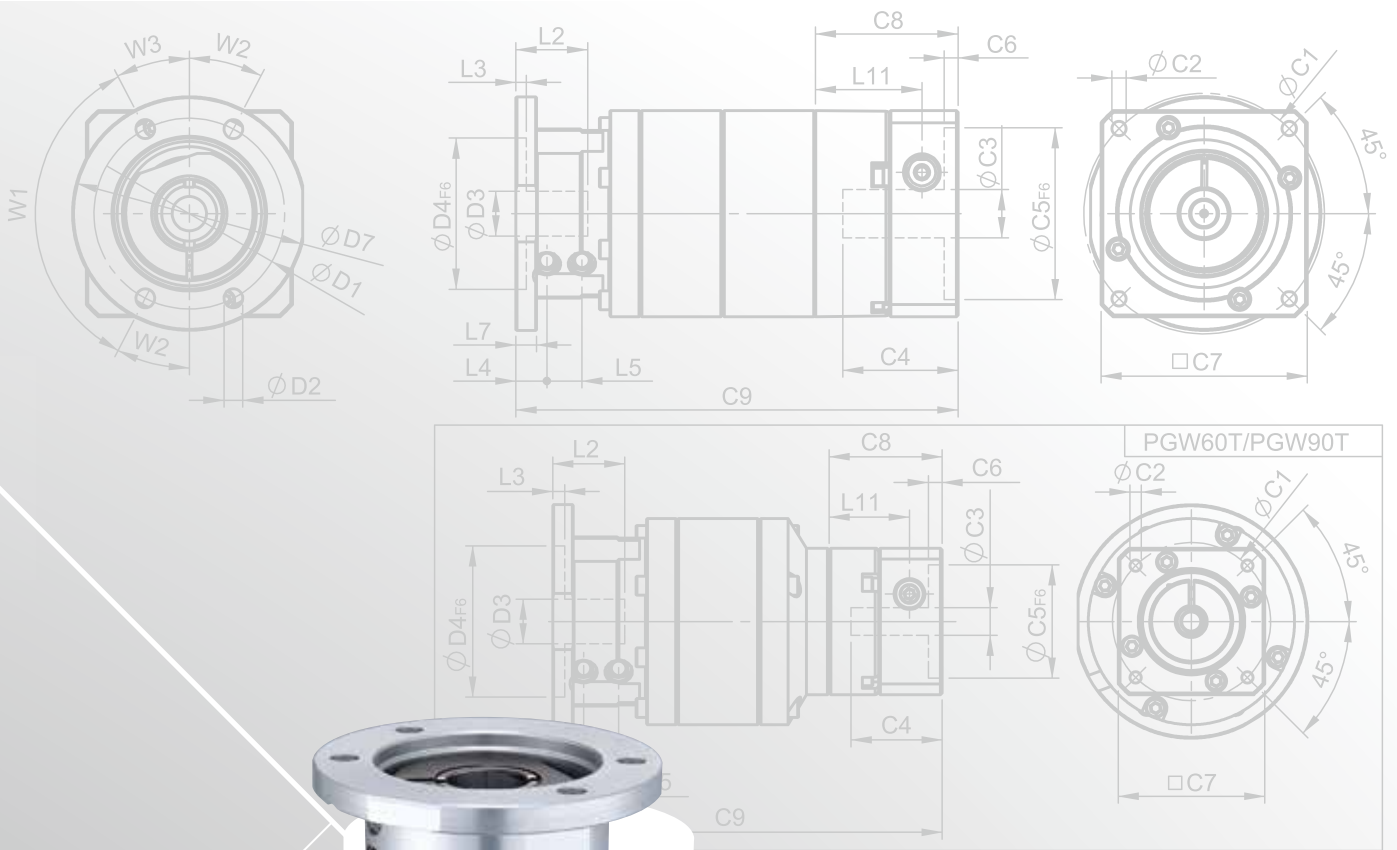
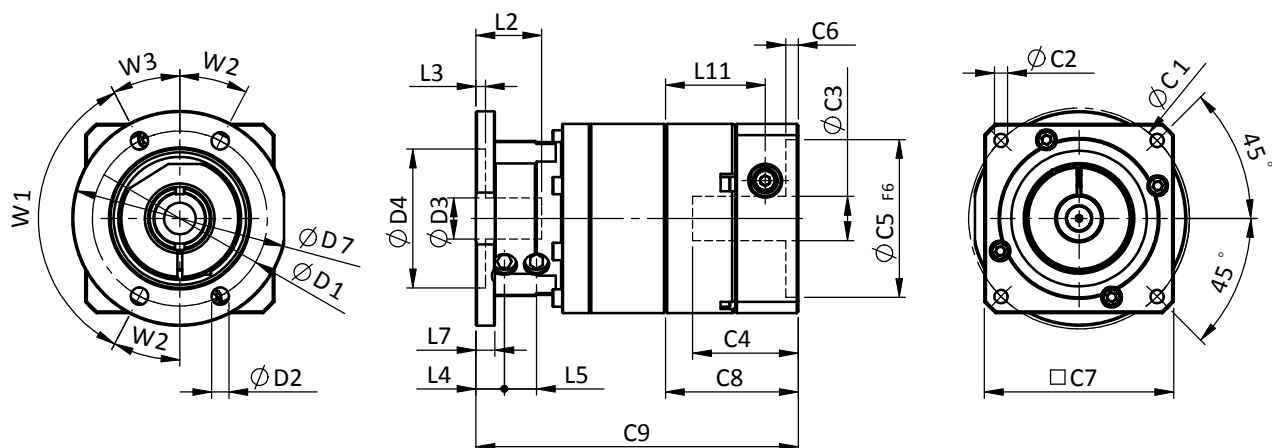


PGW SERIES





PGW Single Stage Dimensions PGW單段外型尺寸圖



Specifications 規格

Unit:mm

尺寸 Dimensions	PGW60	PGW90	PGW115
D1	55.5	73	105
D2	5.5	5.5	6.6
D3	16	20	30
D4	44	60	80
D7	70	84	118
L2	31	31	37
L3	3.5	3.5	3.5
L4	9	10.2	12.5
L5	10.2	10.9	13
L7	6	6	10
L11	31.6	37.3	51.8
W1	125°	90°	90°
W2	27.5°	22.5°	22.5°
W3	27.5°	67.5°	67.5°
C1 ²	70	90	145
C2 ²	M5x0.8P	M6x1.0P	M8x1.25P
C3 ²	≤14/≤19	≤19/≤24/≤28	≤24/≤32/≤38
C4 ²	33.5	41	51.5
C5 ² F6	50	70	110
C6 ²	4	6	6
C7 ²	60	90	130
C8 ²	42.1	51.5	68
C9 ²	102.2	126.5	172

★ C1~C9是公製標準馬達連接板尺寸,請依所選用的馬達決定。

★ 本公司有權針對以上數據規格逕行設計變更不先行告知。

★ C1~C9 are motor specific dimensions(metric std shown), Size may vary according to motor flange.

★ Specification subject to change without notice.

PGW Specifications Table PGW性能規格共表

規格 Specifications		節數 Stage	減速比 Ratio	PGW-60	PGW-90	PGW-115		
額定輸出力矩 T_{2N} Nominal Output Torque	N · m	1	3	28	85	200		
			4	32	80	215		
			5	35	95	215		
			7	28	85	200		
			9	23	75	195		
				10	21	65	180	
				節數 Stage	減速比 Ratio	PGW-60/PGW-60T	PGW-90/PGW-90T	PGW-115T
				2	15	35/24	95/68	168
					20	35/31	95/95	215
					25	35/30	95/95	215
					35	35/28	95/95	215
					45	35/27	95/92	215
					50	35/27	95/82	205
					70	28/28	85/85	200
				90	23/23	75/75	195	
				100	21/21	65/65	180	
				3	125	35	95	215
					175	35	95	215
					225	35	95	215
					245	35	95	215
		315	35		95	215		
		405	35		95	215		
		567	28		85	200		
		729	23		75	195		
		1000	21	65	180			
急停力矩 T_{2NOT} Emergency Stop Torque	N · m	2.5倍額定輸出力矩(2.5 times of Nominal Output Torque) (* 最大輸出力矩 Max. Output Torque T_{2B} =60% of Emergency Stop Torque)						
額定輸入轉速 Ω_{1N} Nominal Input Speed	rpm	1,2,3	3-1000	4000	3000	2500		
最大輸入轉速 Ω_{1max} Max. Input Speed	rpm	1,2,3	3-1000	6000	6000	5000		
標準背隙 Standard Backlash P2	arcmin	1	3-10	≤ 8	≤ 7	≤ 6		
		2	15-100	≤ 10	≤ 9	≤ 8		
		3	125~1000	≤ 12	≤ 12	≤ 12		
使用溫度 Operating Temp.	°C	1,2,3	3-1000	-10°C ~ +90°C				
使用壽命 Service Life	hr	1,2,3	3-1000	20,000(10,000 連續運轉 Continuous operation)				
效率 Efficiency	%	1	3-10	≥ 95%				
		2	15-100	≥ 90%				
		3	125~1000	≥ 85%				
重量 Weight	kg	1	3-10	1.2	2.9	6.4		
		2	15-100	1.6/1.4	4.3/3.2	8.0		
		3	125~1000	1.8	4.6	9.4		
安裝方向 Mounting Position	-	1,2,3	3-1000	任意方向 Any direction				
噪音值 Noise Level ¹	dBA/1m	1,2,3	3-1000	63	66	67		
防護等級 Protection Class	-	1,2,3	3-1000	IP65				
潤滑 Lubrication	-	1,2,3	3-1000	全合成潤滑油脂 Synthetic Lubricant				
減速機轉動慣量 Inertia(I1)								
節數 Stage	減速比 Ratio	單位 unit	PGW-60(ψ14)	PGW-90(ψ19)	PGW-115(ψ24)			
1	3	Kg · cm ²	0.23	0.77	2.30			
	4		0.21	0.67	1.92			
	5~10		0.21	0.61	1.71			
節數 Stage	減速比 Ratio		PGW-60(ψ14)/ -60T(ψ8)	PGW-90(ψ19) / -90T(ψ14)	PGW-115T(ψ19)			
2	15		0.23/(0.04)	0.77/(0.23)	0.77			
	其它比數 Other ratios		0.21/(0.03)	0.61/(0.21)	0.61			
3	所有比數 All ratios		PGW-60T(ψ8)	PGW-90T(ψ14)	PGW-115T(ψ19)			
				0.03	0.21	0.61		

* 1. 輸出轉速 100rpm 時，作用於輸出軸中心位置。Applied to the output shaft center @100rpm.

* 2. 3000rpm 空載量測。Measured at 3000 rpm with no load. These values are measured by gearbox with ratio = 10 (1-stage) or ratio = 100 (2-stage) at nominal input speed or 3000 rpm (if nominal input speed is higher than 3000 rpm) with no load.

※本公司有權對以上數據規格逕行設計變更不先行告知。The above figures/specifications are subject to change without prior notice.

Products due to human error, natural disasters or other factors lead to poor or damaged, will not be covered under warranty.

產品因人為原因或天災等因素導致不良或損壞，不在保固範圍內。

PLANETARY GEARHEADS



PHL PHFR PHF PGH PUR PUL PUA PGLH PGCH PGEH PGSH PGL PGC PGE SGC SGE PGRH PGR PGFR PGF PBC PBE PAE PAC PAN PGS PNS PGW