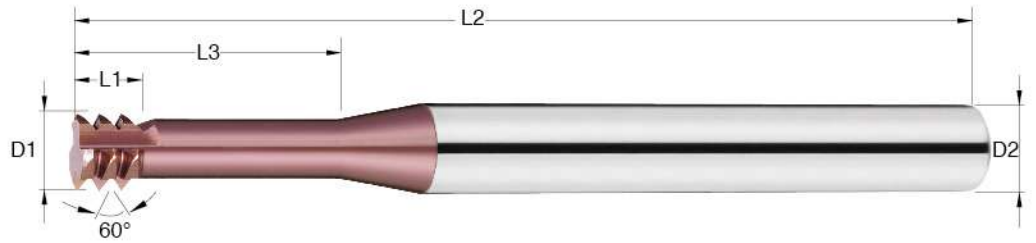


# EMTF

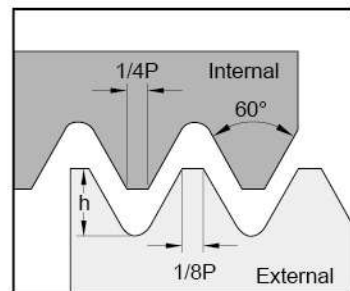
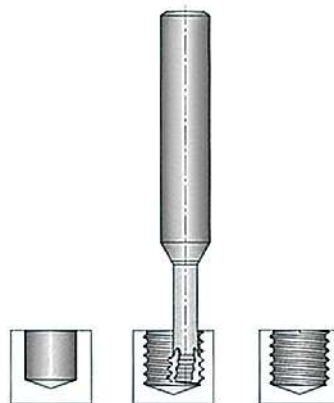


## 螺紋銑刀

► Internal Threading / for **H** **P** **K** **M** **S** **N** unit: mm

型號 Order No.	螺紋規格 Thread Size	直徑 Diameter D1	有效長 Effective Length L3	全長 O.A.L. L2	柄徑 Shank Dia D2	刃數 Flute
EMTF 03P050	M3x0.5	2.35	6	50	6	3
EMTF 04P070	M4x0.7	3.10	8	50	6	3
EMTF 05P080	M5x0.8	3.80	12	50	6	3
EMTF 06P100	M6x1.0	4.65	14	50	6	3
EMTF 08P125	M8x1.25	5.95	18	50	6	3
EMTF 10P150	M10x1.5	7.80	25	60	8	3
EMTF 12P175	M12x1.75	9.00	25	75	10	3

Flute Length ( **L1** ) = Pitch x 3



Defined by: R262 (DIN 13)  
Tolerance class: 6H