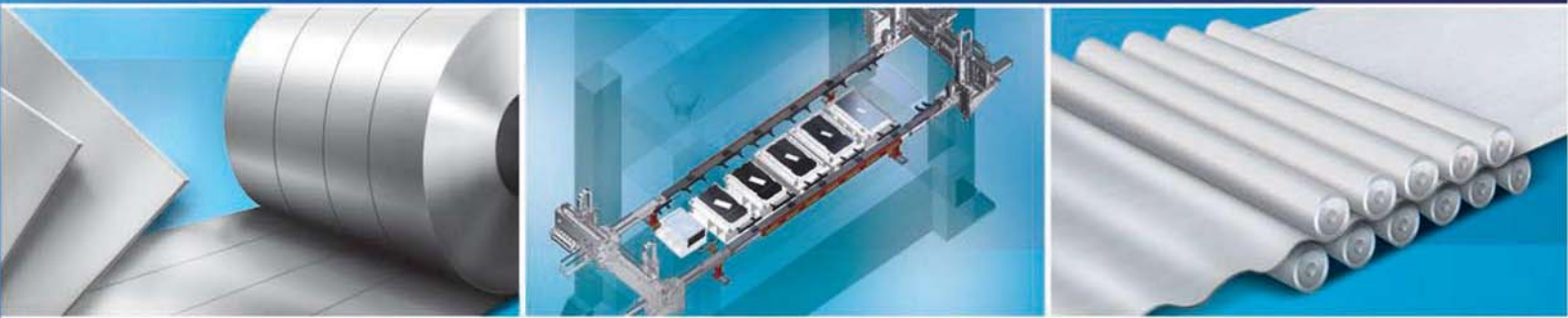




Coil Processing Total Solution

順 達 機 械
www.shungdar.com.tw



SL-SERIES



H3D-SERIES



SC-SERIES



SR-SERIES



LOYALTY ! QUALITY ! PROFESSION ! AND SERVICE

誠信、品質、專業、服務

Shung Dar Industrial Co., Ltd. was founded in 1982, in consideration of thriving of automation equipment market and the unlimited business opportunity. In the primary stage, Shung Dar produces and sells air feeders and coil straighteners. Furthermore, NC automatic feeders and the complete automatic feeding lines are continually developed and put to the domestic and international market.

順達實業股份有限公司，於西元1982年鑑於自動化設備市場蓬勃發展且商機無限，乃集資成立，初期以製造及銷售空氣自動送料機及材料矯正機為主，陸續成功開發出NC電腦精密自動送料機及整套自動化送料系列，行銷海內外。

Shung Dar's strong R&D team has developed a series of high quality and high-tech automatic products with progressive skills, establishing a solid foundation for marching to the international market.

順達堅強的設計團隊，以精進的技術，持續不斷的研發出一系列高品質、高科技的自動化產品，為進軍國際市場奠下磐石般的基礎。

Sticking to the policy of "**loyalty, quality, profession and service**", and the faith of "consideration of customers' best benefits", Shung Dar is one of the leading manufactures who produce auto feeding equipment and the first automation and peripherals company in Taiwan to obtain ISO9001 certificate and Shung Dar is also A3 certified design consultant for automatic machine design and development by Taiwan's Industrial Development Bureau. In addition to pursuing ISO 9001 spirit, and persisting to automation industry service, Shung Dar is devoted to build a whole-plant equipment processing system, expecting to make customers gain the most profit with the least cost.

秉持「誠信、品質、專業、服務」之品質政策及「永遠以顧客的最大利益著想」之信念的順達，不僅是國內率先取得SGS ISO9001國際品保驗證的自動化沖壓週邊設備製造廠，更是經濟部工業局A3生產製造技術輔導類的自動化機械設計開發專業驗證廠。順達已奉行並持續貫徹ISO 9001的精神，堅守自動化領域繼續服務產業界外，更致力於開發整廠設備製造加工系統，期使顧客能以最少的成本獲得最大的收益。



NC Servo Feeder, Straightener & Uncoiler 3 in 1



MODEL 機型	SNR1-200	SNR1-300	SNR1-400
Max. coil width 最大料寬 (mm)	200	300	400
Coil thickness 適用料厚 (mm)	0.3~3.2		
Coil I.D. 料捲內徑 (mm)	ø 508		
Coil O.D. 料捲外徑 (mm)	ø1200		
Coil weight 料捲重量 (kg)	1000		
Mandrel expansion 主軸擴張方式	Manually 手動式		
Uncoiler drive type 料架傳動方式	AC Motor AC 馬達		
Straightening roll 矯正滾輪 (pc)	Upper 上4, Lower 下3		
Feed roll 送料滾輪 (pc)	2		
Feeder drive type 送料傳動方式	AC Servo Motor AC 伺服馬達		
Feed speed 送料速度 (M/min)	16		
Air pilot release 氣壓式放鬆	Included 有		
Loop control 備料區控制	Photo Sensor 對照式光電		

• All specifications and design characteristics shown in this catalogue are subject to change without notice.

• 本公司設計規格均不斷研究改進，規格若有變更不另行通知。

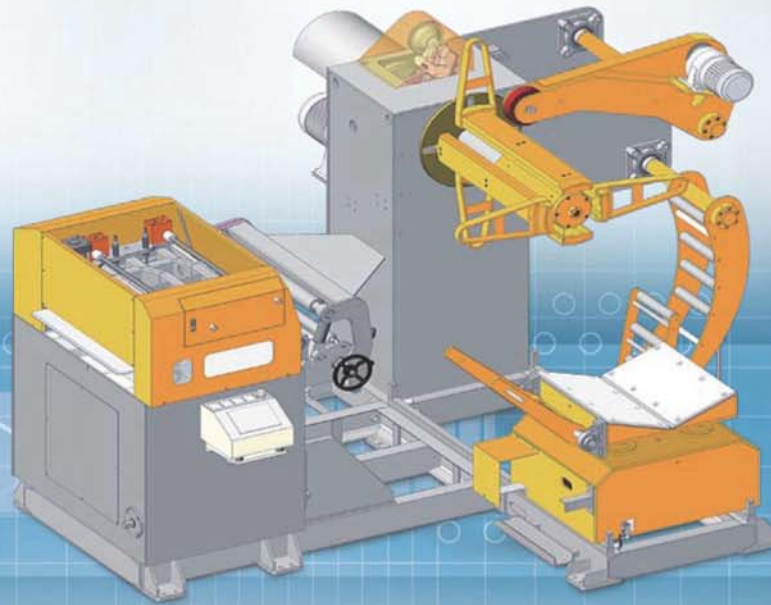
Straightening Performance 矯正能力表

COIL THICKNESS 材料厚度 (mm)	COIL WIDTH 材料寬度 (mm)		
	SNR1-200	SNR1-300	SNR1-400
0.3~1.5	200	300	400
2.0	200	300	310
2.5	200	200	200
3.0	135	135	135
3.2	120	120	120

• Above figures are for material with max tensile strength 40 kgf/mm².

• 以上數據僅適用材料最大抗張強度 40 kgf/mm²。

NC Servo Feeder, Straightener & Uncoiler 3 in 1



MODEL 機型	SNR3-300	SNR3-400	SNR3-500	SNR3-600	SNR3-800	SNR3-1000
Max. coil width 最大料寬 (mm)	300	400	500	600	800	1000
Coil thickness 適用料厚 (mm)	0.3~3.2					
Coil I.D. 料捲內徑 (mm)	ø 508					
Coil O.D. 料捲外徑 (mm)	ø1200					
Coil weight 料捲重量 (kg)	3000	3000	3000	3000	5000	5000
Mandrel expansion 主軸擴張方式	Hydraulic 油壓式					
Mandrel brake 主軸剎車方式	Air Disc Brake 氣壓式剎車					
Uncoiler drive type 料架傳動方式	AC Motor AC 馬達					
Straightening roll 矯正滾輪 (pc)	Upper 上5, Lower 下4					
Feed roll 送料滾輪 (pc)	2					
Feeder drive type 送料傳動方式	AC Servo Motor AC 伺服馬達					
Feed speed 送料速度 (M/min)	16					
Air pilot release 氣壓式放鬆	Included 有					
Loop control 備料區控制	Photo Sensor 對照式光電					

• All specifications and design characteristics shown in this catalogue are subject to change without notice.

• 本公司設計規格均不斷研究改進，規格若有變更不另行通知。

Straightening Performance 矯正能力表

COIL THICKNESS 材料厚度 (mm)	COIL WIDTH 材料寬度 (mm)					
	SNR3-300	SNR3-400	SNR3-500	SNR3-600	SNR3-800	SNR3-1000
0.3~1.5	300	400	500	600	800	1000
2.0	300	400	500	540	540	540
2.3	300	400	405	405	405	405
2.8	275	275	275	275	275	275
3.2	210	210	210	210	210	210

• Above figures are for material with max tensile strength 40 kgf/mm².

• 以上數據僅適用材料最大抗張強度 40 kgf/mm²。

NC Servo Feeder, Straightener & Uncoiler 3 in 1



MODEL 機型	SNR4-300	SNR4-400	SNR4-500	SNR4-600	SNR4-800	SNR4-1000	SNR4-1300
Max. coil width 最大料寬 (mm)	300	400	500	600	800	1000	1300
Coil thickness 適用料厚 (mm)	0.3~4.5						
Coil I.D. 料捲內徑 (mm)	ø 508						
Coil O.D. 料捲外徑 (mm)	ø1200						
Coil weight 料捲重量 (kg)	3000	3000	3000	3000	5000	5000	5000
Mandrel expansion 主軸擴張方式	Hydraulic 油壓式						
Mandrel brake 主軸剎車方式	Air Disc Brake 氣壓式剎車						
Uncoiler drive type 料架傳動方式	AC Motor AC 馬達						
Pinch roller 入料滾輪 (pc)	2						
Straightening roll 矯正滾輪 (pc)	Upper 上5, Lower 下4						
Feed roll 送料滾輪 (pc)	2						
Feeder drive type 送料傳動方式	AC Servo Motor AC 伺服馬達						
Feed speed 送料速度 (M/min)	18						
Air pilot release 氣壓式放鬆	Included 有						
Loop control 備料區控制	Photo Sensor 對照式光電						

• All specifications and design characteristics shown in this catalogue are subject to change without notice.

• 本公司設計規格均不斷研究改進，規格若有變更不另行通知。

Straightening Performance 矯正能力表

COIL THICKNESS 材料厚度 (mm)	COIL WIDTH 材料寬度 (mm)						
	SNR4-300	SNR4-400	SNR4-500	SNR4-600	SNR4-800	SNR4-1000	SNR4-1300
0.3~2.3	300	400	500	600	800	1000	1300
3.2	300	330	500	600	685	785	965
4.0	265	265	500	500	500	500	635
4.5	235	235	395	395	395	395	500

• Above figures are for material with max tensile strength 40 kgf/mm².

• 以上數據僅適用材料最大抗張強度 40 kgf/mm²。

NC Servo Feeder, Straightener & Uncoiler 3 in 1



MODEL 機型	SNR6-400	SNR6-500	SNR6-600	SNR6-800	SNR6-1000	SNR6-1300	SNR6-1600	SNR6-1900
Max. coil width 最大料寬 (mm)	400	500	600	800	1000	1300	1600	1900
Coil thickness 適用料厚 (mm)	0.6~6.0							
Coil I.D. 料捲內徑 (mm)	ø 508							
Coil O.D. 料捲外徑 (mm)	ø1500							
Coil weight 料捲重量 (kg)	5000	5000	5000	7000	7000	7000	7000	7000
Mandrel expansion 主軸擴張方式	Hydraulic 油壓式							
Mandrel brake 主軸剎車方式	Air Disc Brake 氣壓式剎車							
Uncoiler drive type 料架傳動方式	AC Motor AC 馬達							
Pinch roller 入料滾輪 (pc)	2							
Straightening roll 矯正滾輪 (pc)	Upper 上4, Lower 下4							
Feed roll 送料滾輪 (pc)	2							
Feeder drive type 送料傳動方式	AC Servo Motor AC 伺服馬達							
Feed speed 送料速度 (M/min)	18							
Air pilot release 氣壓式放鬆	Included 有							
Loop control 備料區控制	Photo Sensor 對照式光電							

• All specifications and design characteristics shown in this catalogue are subject to change without notice.

• 本公司設計規格均不斷研究改進，規格若有變更不另行通知。

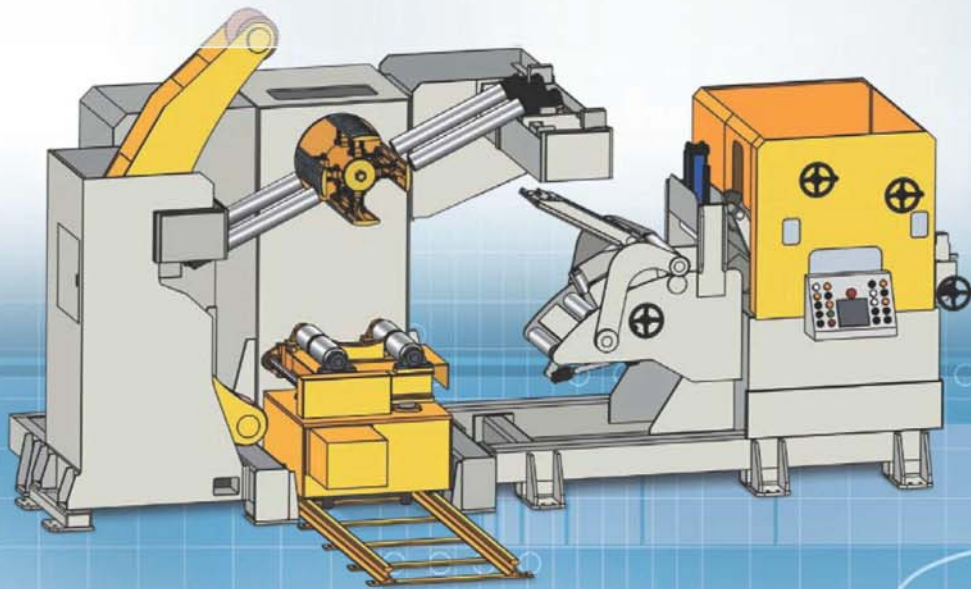
Straightening Performance 矯正能力表

COIL THICKNESS 材料厚度 (mm)	COIL WIDTH 材料寬度 (mm)							
	SNR6-400	SNR6-500	SNR6-600	SNR6-800	SNR6-1000	SNR6-1300	SNR6-1600	SNR6-1900
2.0~2.8	400	500	600	800	1000	1300	1600	1900
4.0	400	500	600	800	1000	1215	1215	1215
4.5	400	500	600	800	865	960	960	960
5.0	400	500	510	700	700	775	775	775
6.0	355	355	355	485	485	540	540	540

• Above figures are for material with max tensile strength 40 kgf/mm².

• 以上數據僅適用材料最大抗張強度 40 kgf/mm²。

NC Servo Feeder, Straightener & Uncoiler 3 in 1



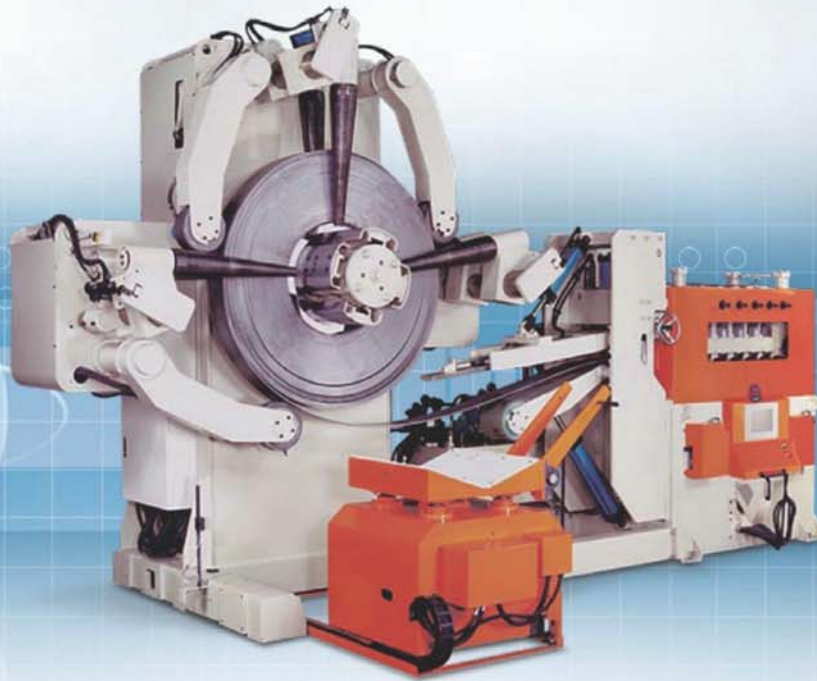
MODEL 機型	SNR8-400	SNR8-500	SNR8-600	SNR8-800	SNR8-1000	SNR8-1300	SNR8-1600	SNR8-1900
Max. coil width 最大料寬 (mm)	400	500	600	800	1000	1300	1600	1900
Coil thickness 適用料厚 (mm)	1.2~8.0							
Coil I.D. 料捲內徑 (mm)	ø 508							
Coil O.D. 料捲外徑 (mm)	ø1500							
Coil weight 料捲重量 (kg)	5000	5000	5000	7000	7000	7000	7000	7000
Mandrel expansion 主軸擴張方式	Hydraulic 油壓式							
Mandrel brake 主軸剎車方式	Air Disc Brake 氣壓式剎車							
Uncoiler drive type 料架傳動方式	AC Motor AC 馬達							
Pinch roller 入料滾輪 (pc)	2							
Straightening roll 矯正滾輪 (pc)	Upper 上4, Lower 下4 / Upper 上5, Lower 下4							
Feed roll 送料滾輪 (pc)	2							
Feeder drive type 送料傳動方式	AC Servo Motor AC 伺服馬達							
Feed speed 送料速度 (M/min)	18							
Air pilot release 氣壓式放鬆	Included 有							
Loop control 備料區控制	Photo Sensor 對照式光電							

• All specifications and design characteristics shown in this catalogue are subject to change without notice.

• 本公司設計規格均不斷研究改進，規格若有變更不另行通知。



Heavy Duty Coil Handling Equipment



MODEL 機型	SNR12-400	SNR12-500	SNR12-600	SNR12-800	SNR12-1000	SNR12-1300
Coil thickness 適用料厚 (mm)	2.0~12.0	2.0~12.0	2.0~12.0	2.0~12.0	2.0~12.0	2.0~12.0
Max. coil width 最大料寬 (mm)	400	500	600	800	1000	1300
Coil I.D. 料捲內徑 (mm)	ø 508					
Coil O.D. 料捲外徑 (mm)	ø1500					
Coil weight 料捲重量 (kg)	5000 / 7000 / 10000					
Mandrel expansion 主軸擴張方式	Hydraulic 油壓式					
Mandrel brake 主軸剎車方式	Air Disc Brake 氣壓式剎車					
Uncoiler drive type 料架傳動方式	AC Motor AC 馬達					
Pinch roller 入料滾輪 (pc)	2					
Straightening roll 矯正滾輪 (pc)	Upper 上5, Lower 下4					
Feed roll 送料滾輪 (pc)	2					
Feeder drive type 送料傳動方式	AC Servo Motor AC 伺服馬達					
Feed speed 送料速度 (M/min)	18					
Pilot release 放鬆裝置	Included 有					
Loop control 備料區控制	Photo Sensor 對照式光電					

• All specifications and design characteristics shown in this catalogue are subject to change without notice.

• 本公司設計規格均不斷研究改進，規格若有變更不另行通知。

Single Head / Double Head Uncoiler

單頭 / 雙頭料架

UA / UB / UC

UG / UH

UAD / UBD / UCD



MODEL 機型	UA	UB	UC	UG	UH	UAD	UBD	UCD
Coil width 料寬 (mm)	300 / 400	300 / 400 / 500 / 600 / 700	300 / 400 / 500 / 600 / 700 / 800 / 1000 / 1300	800 / 1000 / 1300 / 1600	800 / 1000 / 1300 / 1600 / 1800 / 2000	300 / 400	300 / 400 / 500 / 600 / 700 / 800	300 / 400 / 500 / 600 / 700 / 800 / 1000
Coil weight 料重 (ton)	1	3	5	7.5	10 / 15 / 20 / 25 / 30	1 (Per side)	3 (Per side)	5 (Per side)

Straightener

矯正機

LVO

SLV

SLD / SLK



MODEL 機型	LVO	SLV	SLD	SLK
Coil width 料寬 (mm)	200 / 300 / 400	200 / 300 / 400 / 500 / 600	300, 400 / 600, 800, 1000 / 1300, 1600	300, 400, 600, 800 / 1000 / 1300, 1600
Coil thickness 料厚 (mm)	0.1~1.2	0.3~3.2	0.4~4.5 / 0.4~3.2 / 0.4~2.0	1.0~6.0 / 1.0~5.0 / 1.0~3.0
Straightening roll 矯正滾輪 (pc)	22	9	9	7

NC Roll Feeder NC 滾輪送料機

SNF1



NCF



SNF4



SNF6 / SNF8



MODEL 機型	SNF1	NCF	SNF4	SNF6 / SNF8
Coil width 料寬 (mm)	200	200 / 300 / 400 / 500 / 600	300 / 400 / 500 / 600 / 800 / 1000 / 1300	300 / 400 / 500 / 600 / 800 / 1000 / 1300 / 1600
Coil thickness 料厚 (mm)	0.1~1.5	0.3~3.2	0.3~4.5	0.6~6.0 / 0.8~8.0

NC ZIG-ZAG Feeder 左右偏擺送料機

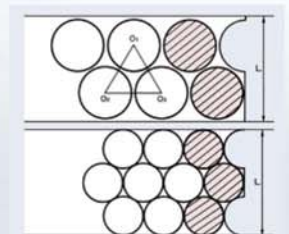
NCZF / NCXF



NCMFZ



Zig-Zag



- Zig-zag feeding, saving 10% material cost than the conventional feeder.
- 左右移動式送料設計，較一般送料機節省 10% 之捲料成本。

MODEL 機型	NCZF	NCXF	NCMFZ
Coil width 料寬 (mm)	300 / 400 / 500 / 600	300 / 400 / 500 / 600 / 800 / 1000 / 1300 / 1600	300 / 400 / 500 / 600
Coil thickness 料厚 (mm)	0.6~3.2	0.6~6.0	0.3~3.2

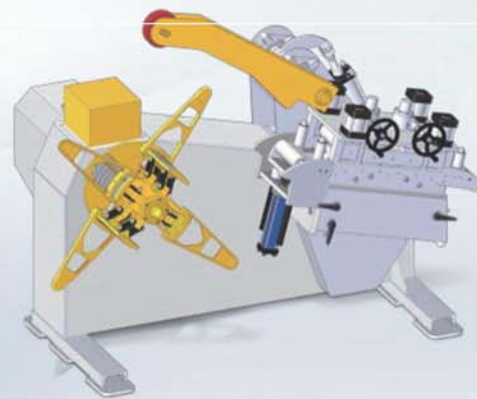
Uncoiler & Straightener (2in1)

二合一矯正機&料架

LUO

LUH

LUD



MODEL 機型	LUO	LUH	LUD
Coil width 料寬 (mm)	200 / 300 / 400	200 / 300 / 400 / 500 / 600 / 800	200 / 300 / 400
Coil thickness 料厚 (mm)	0.3~1.0	0.4~3.2	0.4~4.5
Coil weight 料重 (ton)	1	1 / 3 / 5	1 / 3 / 5
Straightening roll 矯正滾輪 (pc)	22	9	7

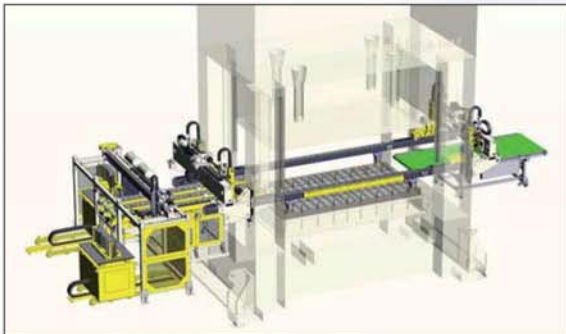
LV4 / LV6

SJD / SJK



MODEL 機型	LV4	LV6	SJD	SJK
Coil width 料寬 (mm)	300, 400, 600, 800 / 1000 / 1300	300, 400 / 600, 800 / 1000 / 1300	300, 400 / 600, 800, 1000 / 1300, 1600	300, 400, 600, 800 / 1000 / 1300, 1600
Coil thickness 料厚 (mm)	0.4~4.0 / 0.4~2.5 / 0.4~1.5	0.8~6.0 / 0.8~5.0 / 0.8~3.0 / 0.8~2.0	0.4~4.5 / 0.4~3.2 / 0.4~2.0	1.0~6.0 / 1.0~5.0 / 1.0~3.0
Coil weight 料重 (tons)	3	5	3 / 5 / 7.5 / 10 / 15 / 20 / 25	5 / 7.5 / 10 / 15 / 20 / 25
Straightening roll 矯正滾輪 (pc)	7	7	9	7

NC 3D Transfer Unit NC 三次元移送裝置 H3U / H3D



- With the feature of running synchronously with the press operating in continuous mode, the Tri-Axis Servo Transfer not only prolong lifetime of the press, but also reduce the energy consumption.
- SD offers a manual feed bar coupling with integrated quick connection misfeed sensors. In this way, manual die changes time can be shortened. As an option, SD offers automatic feed bar coupling for large size press with moving bolster application.
- 在沖床連續運轉操作模式下，NC三次元傳送機自動化同步追隨沖床運轉，不僅延長沖床壽命，減少能源消耗，並可達成高效率之產出。
- 順達提供標準手動連接移送桿，並裝設快拆式誤送檢知器，將換模換線之作業時間縮至最短，亦提供移送桿自動耦合器之選擇，實現全自動換模作業。

Floor Stand Robot System 落地式大型鈹金機械手 HRY



- Touch screen operation interface.
- Intermittent operation mode for handshaking running with the press.
- Quick changing of finger.
- Vacuum pad or electric magnet as the standard handing element, and pneumatic gripper as an option.

- 圖示化人機操作介面。
- 與沖床交握運轉的斷續運轉模式。
- 快速拆換吸料臂。
- 工件移送採用真空吸盤或電磁鐵，亦可選用氣壓夾。

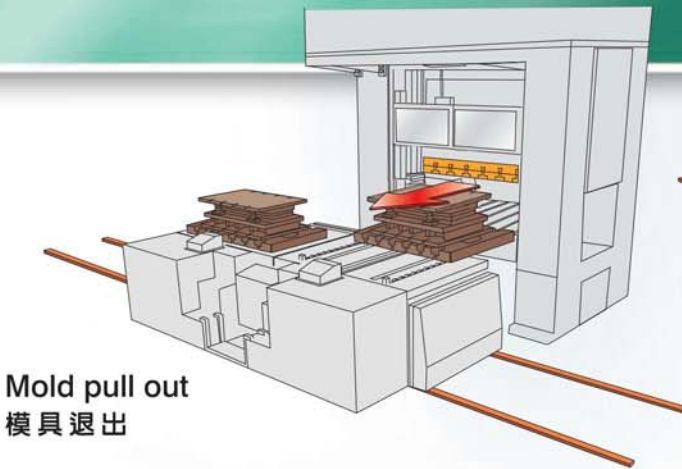
One Bar Transfer System 沖床連線多工程機械手 H1M



- Both transferring and lifting axes are driven by AC servo motor, with good feed stability and high positioning accuracy. The transferring distance can be customized based on the customer's press or tooling actual space.
- Able to integrated with multiple main drive units and 2-10 presses into an automatic stamping line according to the processes required.
- 移送及舉升2軸均採用AC伺服馬達驅動，送料穩定度極佳，定位精度高，移送距離可依客戶之沖床或模具實際排列間距訂製。
- 依沖壓工程數，可連結單個或多個本體搭配2-10台沖床成一自動化沖壓線。

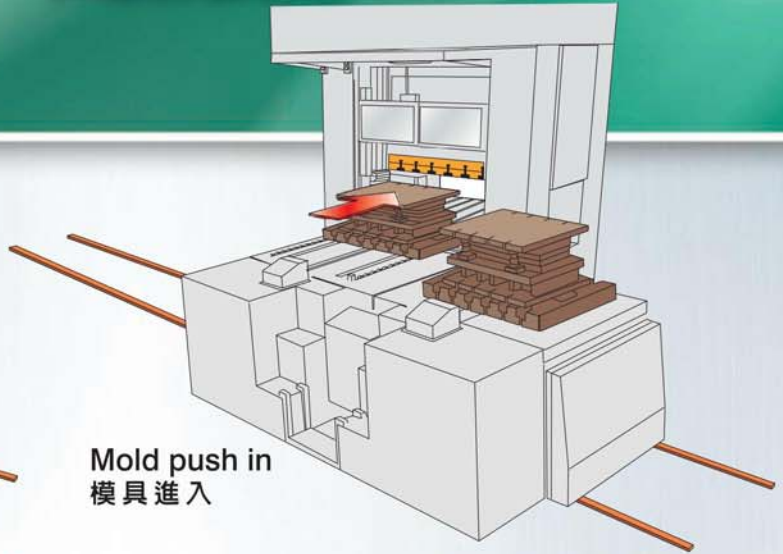
Quick Mold Exchange Cart

快速換模台車



Mold pull out
模具退出

台車移動至沖床中心
Mold cart shuttle to press center.



Mold push in
模具進入

模具 # 1 由推模器拉出至台車上
Pusher pull mold #1 out of press to the cart.



縮短換模時間，增加生產效率
Shorten mold exchange time to maximize productivity.

台車回歸至左或右定位點
Mold cart return to left or right position.

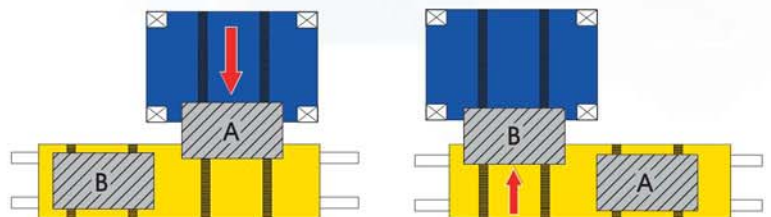
模具 # 2 推入沖床內定位
Pusher push mold #2 to the press.

Mold Exchange Solutions

換模方式

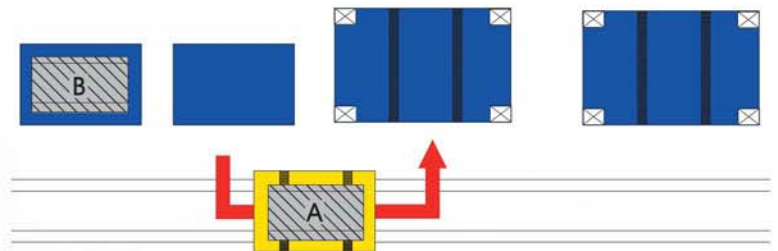
Double Station Cart 單機雙模

- 正面入模方式
Main side loading type.



Single Station Cart 單機單模

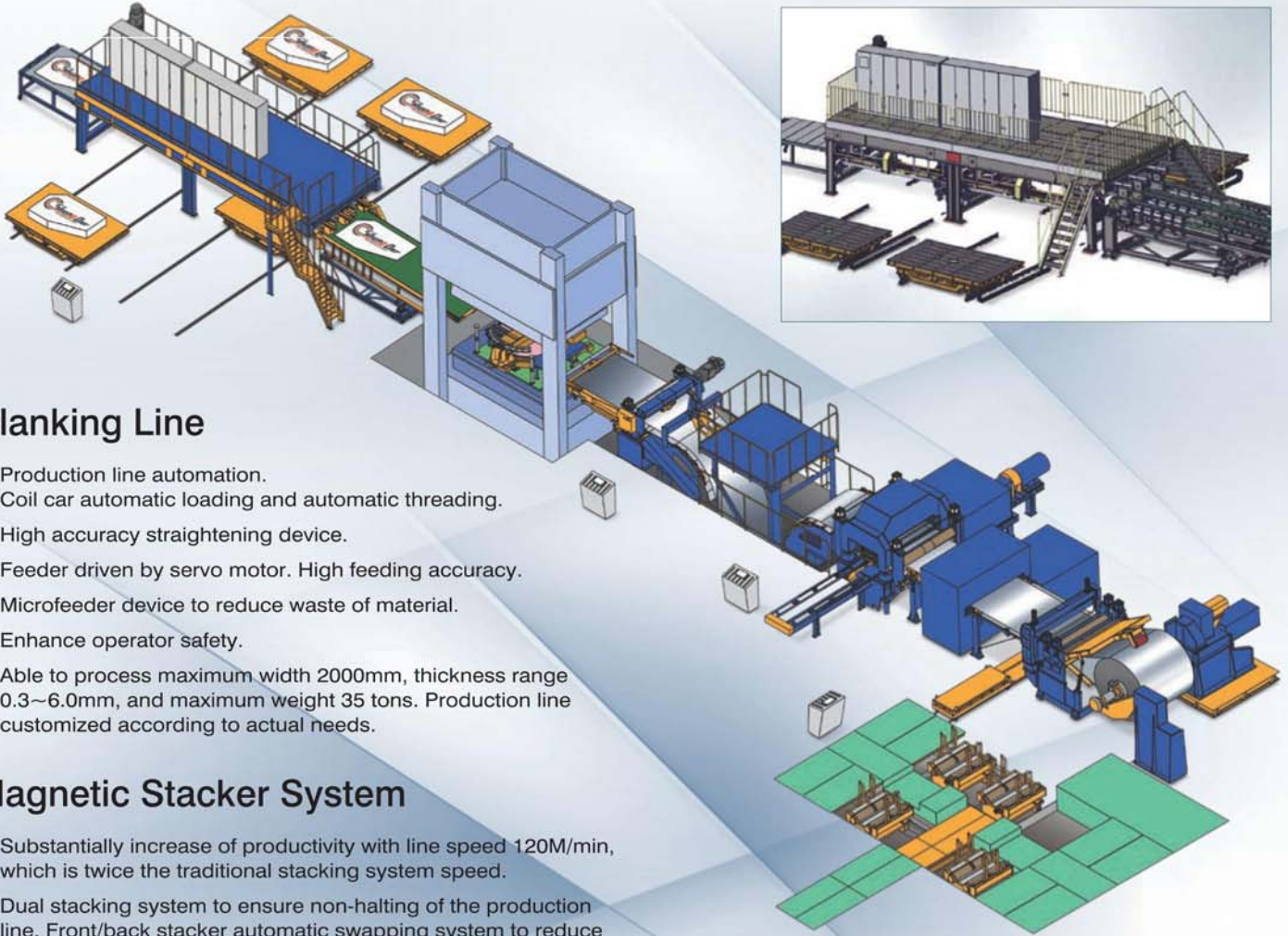
- 可供數台沖床使用換模
Ideal for serving several presses in line.



MODEL 機型	CAR2-1880-5T	CAR2-2210-10T	CAR1-3213-15T
Size of mold template 模板尺寸 (L x W) (mm)	1800 x 800	2200 x 1000	3200 x 1300
Mold Weight x Qty 模具重量 x 模具數 (kg x pc)	5000 x 2	10000 x 2	15000 x 1
Travelling speed 行走速度 (M/min)	5	5	5

• Any specific size is available base on the needs of customers .

• 可依客戶使用需求，製造特殊規格。



Blanking Line

- Production line automation. Coil car automatic loading and automatic threading.
- High accuracy straightening device.
- Feeder driven by servo motor. High feeding accuracy.
- Microfeeder device to reduce waste of material.
- Enhance operator safety.
- Able to process maximum width 2000mm, thickness range 0.3~6.0mm, and maximum weight 35 tons. Production line customized according to actual needs.

Magnetic Stacker System

- Substantially increase of productivity with line speed 120M/min, which is twice the traditional stacking system speed.
- Dual stacking system to ensure non-halting of the production line. Front/back stacker automatic swapping system to reduce the unloading time when the blanks are full.
- Material surface protection.

沖床落料線

- 產線自動化，台車料捲自動入料，自動通飯。
- 高精密度整平機構。
- 伺服驅動送料機，高送料精度。
- 尾料送料機構，降低材料浪費。
- 提高操作人員安全。
- 最大寬度可達2000mm，厚度範圍0.3~6.0mm，最大料重35噸，依客戶實際需求做客製化設計。

磁性堆垛系統

- 大幅提升生產效率，磁吸線速度：120M/min，為傳統堆疊系統的兩倍速率。
- 雙座式堆疊系統，確保整線不停機。自動前後堆疊交換系統，降低成品疊滿後卸料的時間。
- 保護材料表面。



Economy Cut To Length Line

經濟型鋼捲裁切線



MODEL 機型	SDS
Coil width 料捲寬度 (mm)	600 / 1000 / 1300 / 1600 / 2000
Coil thickness 料捲厚度 (mm)	0.3~3.2 / 0.6~4.0 / 0.8~6.0
Coil weight 料捲重量 (ton)	7.5 / 10 / 15 / 20 / 25 / 30

Steel Cut To Length Line

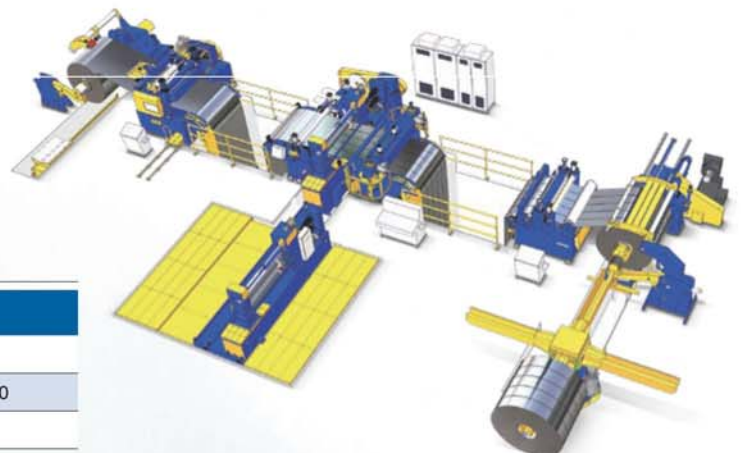
鋼捲裁切線



MODEL 機型	SD
Coil width 料捲寬度 (mm)	1300 / 1600 / 2000
Coil thickness 料捲厚度 (mm)	0.3~2.0 / 0.3~3.2 / 0.6~4.0 / 0.8~6.0 / 6.0~12.0
Coil weight 料捲重量 (ton)	7.5 / 10 / 15 / 20 / 25 / 30 / 35

Steel Slitting Line

鋼捲分條線



MODEL 機型	SC
Coil width 料捲寬度 (mm)	1300 / 1600 / 1900 / 2000
Coil thickness 料捲厚度 (mm)	0.3~2.0 / 0.5~3.2 / 0.8~4.0 / 1.0~6.0
Coil weight 料捲重量 (ton)	7.5 / 10 / 15 / 20 / 25 / 30 / 35



SHUNG DAR INDUSTRIAL CO., LTD.
順達實業股份有限公司

台灣 50070 彰化市線東路一段 274-16 號
No. 274-16, Sec. 1, Hsien Tung Rd.,
Changhua City 50070, Taiwan

TEL: +886-4-762-2020

FAX: +886-4-762-2022

E-mail: shungdar@ms17.hinet.net

Http://www.shungdar.com.tw



KUNSHAN SOONDAR MACHINERY CO., LTD.
昆山順達機械有限公司

中國 215300 江蘇省昆山市城北利爾路 188 號
188, Lier Rd., Kunshan City, Jiangsu. 215300 China

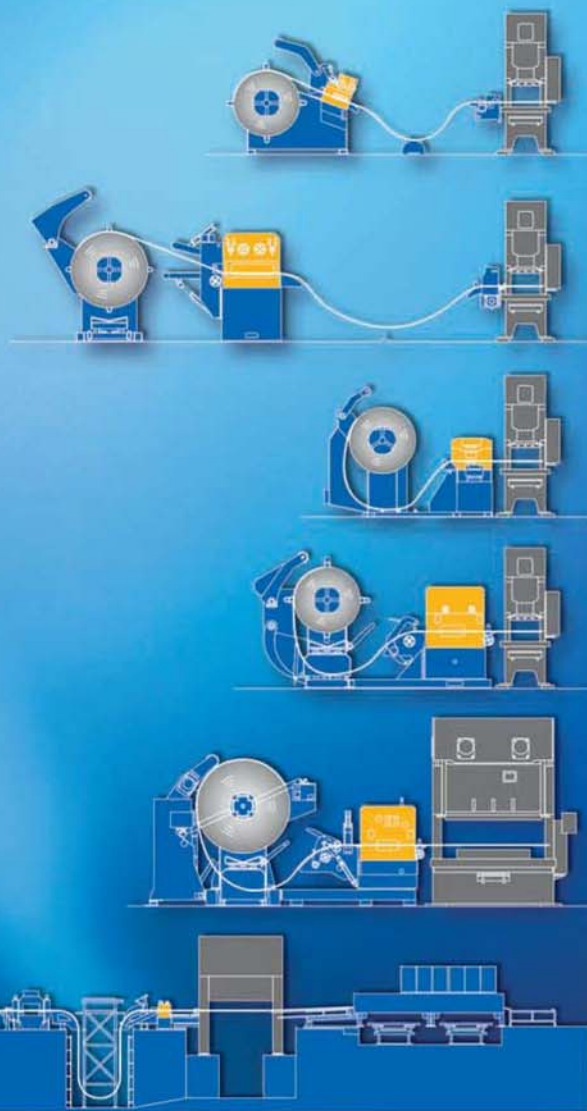
TEL: 0512-5775-0961(per.)

FAX: 0512-5775-0963

E-mail:soondar@vip.163.com

東莞服務處

TEL: 13603094105



Shung Dar



YouTube



Facebook