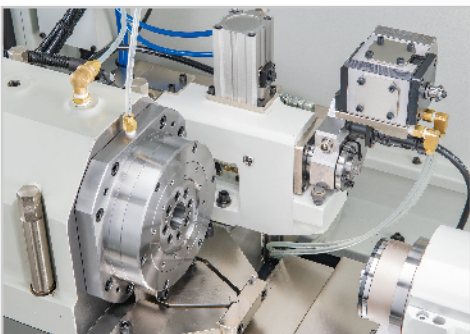


INTERNAL GRINDER

CNC series

OIG-50

FEATURES

- You could have the maximum space saving from its small and rigid machine bed design which only same as B1 paper size.
- High grinding efficiency with the benefit of high performance bearing built-in spindle.
- Both X & Z axes equip with linear servo motor for high speed grinding purpose.
- High rigidity man-made mineral machine bed for smooth machining requirement.
- Fully enclosed splash guard with one-piece electrical cabinet design.

SPECIFICATIONS

INTERNAL GRINDER CNC series

OIG-50

MODEL	OIG- 50	
Capacity	Max. chuck outer diameter	Ø50 mm
	Max. grinding diameter	Ø20 mm
	Max. grinding length	40 mm
Work Spindle (Built-in Type)	Swiveling angle	+0.5° ~ -0.5°
	Spindle O.D.	Ø160 mm
	Speed	0 ~ 3000 r.p.m.
	Chuck method	Auto. Air chuck (3-jaw 6")
	Driver	Built-in motor
	Lubrication method	Oil & air system
	Cooling method	Oil circulation
Grinding Wheel Spindle (Built-in Type)	Spindle O.D.	Ø100 mm
	Speed	90000 r.p.m.
	Lubrication method	Oil & air system
	Cooling method	Oil circulation
X Axis Slide	Guideway	Linear guideway
	Driver	Linear motor
	Min. input increment	0.0001 mm
	Rapid feedrate	20 M/min.
	Stroke	70 mm
	Guideway	Linear guideway
Z Axis Slide	Driver	Linear motor
	Min. input increment	0.0001 mm
	Rapid feedrate	20 M/min.
	Stroke	140 mm
Roller Dressing (Built-in Motor)	Device	Dressing roller
	Driver	Built-in motor
	Speed	5000 ~ 10000 r.p.m.
	Lubrication method	Oil & air system
Controller	Cooling method	Oil circulation
	Control axis	2 axes
	Brand	FANUC
Cooling System	Cooling device	Oil cooler
	Cooling parts	Spindle, Linear guideway Wheel spindle, Dressing spindle
Machine Bed	Material	Man-made mineral
Machine Weight	Net weight	2000 kg

STANDARD ACCESSORIES

- CNC controller with graphical conversational interface (FANUC)
- Fully enclosed splash guard
- Linear scales (X & Z axes)
- Pneumatic circuit system
- Track lubrication system
- Coolant system (coolant tank)
- Roller dressing device (with roller)
- Grinding wheel built-in spindle (90000 r.p.m.)
- Work built-in spindle (3000 r.p.m.)
- Roller dressing built-in motor (10000 r.p.m.)
- Spindle cooling device with oil & air system
- Tools & tool box

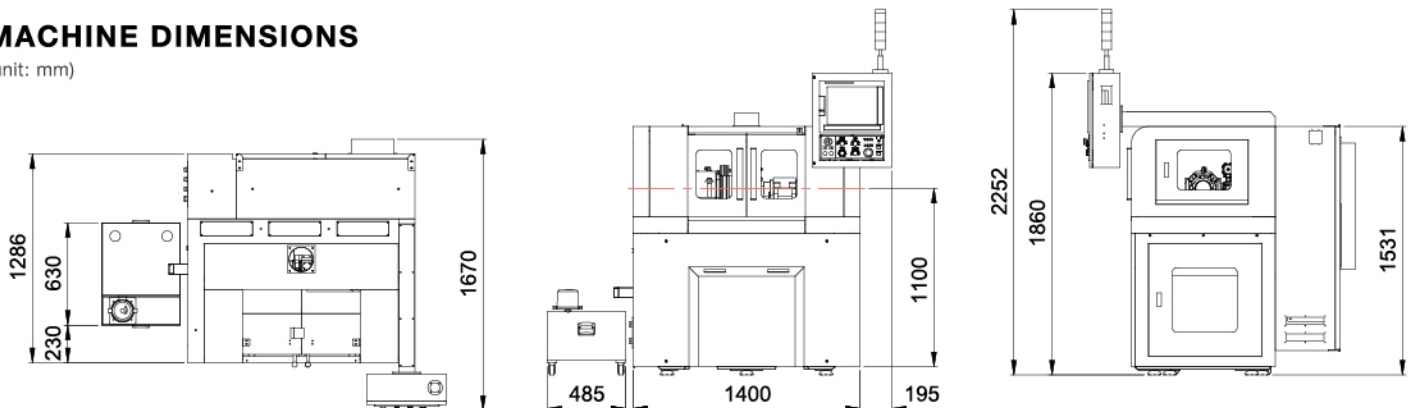
OPTIONAL ACCESSORIES

- Auto load/unload robot
- Air 3-jaw chuck
- 3-jaw scroll chuck
- Magnetic coolant separator
- Paper filter
- Coolant chiller
- Bag filter
- ER16 collet chuck and wheel arbor
- Soft jaw machining device
- Tungsten steel soft jaw machining device
- Gap control

• The mentioned specifications & dimensions are subject to change without notice.

MACHINE DIMENSIONS

(unit: mm)



PALMARY

PALMARY MACHINERY CO., LTD.

No. 77, Gongye Rd., Dali Dist., Taichung City 41280, Taiwan.

Tel: +886-4-2492-9799 Fax: +886-4-2492-9499

E-mail: palmary@grinding.com.tw www.palmary.com

